

General Description

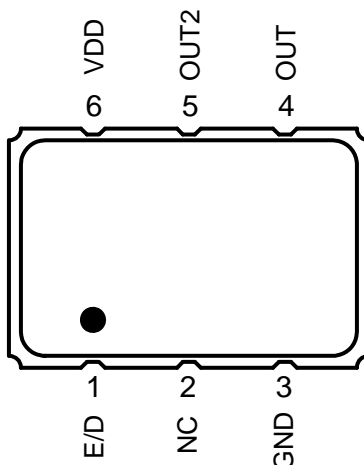
The XUP is an Ultra Precision LVPECL Crystal Oscillator with 300fs typical phase jitter over 12kHz to 20 MHz bandwidth. Available in a wide frequency range from 16kHz to 670 MHz, the IDT XUP Series Crystal Oscillator utilizes a family of proprietary ASICs, with a key focus on noise reduction technologies.

The 4th order Delta Sigma Modulator reduces noise to the levels that are comparable to traditional Bulk Quartz and SAW oscillators. With short lead-time, low cost, low noise, wide frequency range, excellent ambient performance, the XUP is an excellent choice over the conventional technologies. The XUP has stabilities as tight as $\pm 20\text{ppm}$ with extremely quick delivery for both standard and custom frequencies.

Features

- Frequency range: 0.016 to 670 MHz
- Output Type: LVPECL
- Frequency Stability: $\pm 20\text{ppm}$, $\pm 25\text{ppm}$, $\pm 50\text{ppm}$, or $\pm 100\text{ppm}$
- Supply Voltage: 1.8V, 2.5V, or 3.3V
- Phase Jitter (1.875MHz to 20MHz): 100fs typical
- Phase Jitter (12kHz to 20MHz): 300fs typical
- Package options: 5.0mm x 3.2mm x 1.2mm (JS6)
7.0mm x 5.0mm x 1.3mm (JU6)
- Operating Temperatures: -20°C to $+70^{\circ}\text{C}$ or -40°C to $+85^{\circ}\text{C}$

Pin Assignment



6-pin CLCC

Pin Descriptions

Pin Number	Pin Name	Description
1	E/D	Enable/Disable ¹ (0=Output Disabled)
2	NC	No connect
3	GND	Connect to ground
4	OUT	Output
5	OUT2	Complementary output
6	VDD	Supply Voltage

1. Pulled high internally.

Absolute Maximum Ratings

Stresses above the ratings listed below can cause permanent damage to the XUP. These ratings, which are standard values for IDT commercially rated parts, are stress ratings only. Functional operation of the device at these or any other conditions above those indicated in the operational sections of the specifications is not implied. Exposure to absolute maximum rating conditions for extended periods can affect product reliability. Electrical parameters are guaranteed only over the recommended operating temperature range.

Item	Rating
VDD	-0.5 to +5.0 V
E/D	-0.5 V to VDD + 0.5 V
OUT	-0.5 V to VDD + 0.5 V
Storage Temperature	-55°C to 125°C
Theta Ja (Junction to Ambient)	102°C/W – Still Air

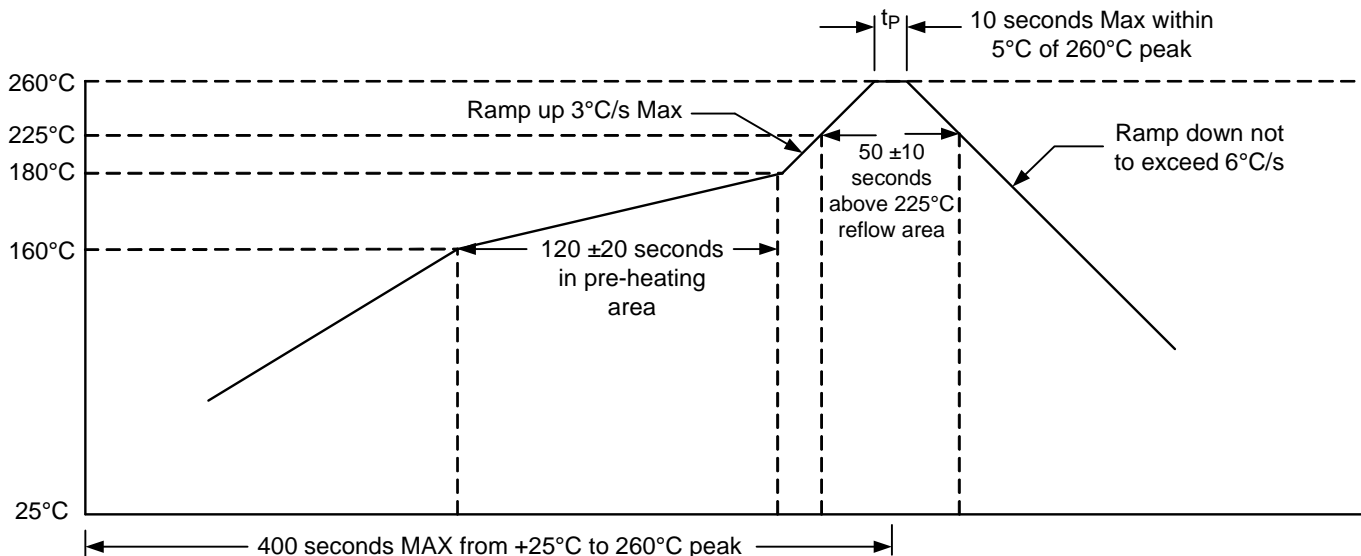
ESD Compliance

Human Body Model (HBM)	1000V
Machine Model (MM)	150V

Mechanical Testing

Parameter	Test Method
Mechanical Shock	Half-Sine wave with 0.3ms 3000G X, Y, Z each direction 1 time
Mechanical Vibration	Frequency: 10 to 55 MHz Amplitude: 1.5mm Frequency: 55~2000Hz Peak value: 20G Duration time: 4H for each X,Y,Z axis Total 12hours
High Temp Operating Life (HTOL)	2000 Hours 125°C (under power)
Hermetic Seal	Gross leak (Air leak test) Fine leak (Helium leak test) He-pressure: 6kgf/cm ² 2 hours

Solder Reflow Profile



DC Characteristics

($V_{DD} = 3.3\text{ V} \pm 5\%$, $T_A = -20^\circ\text{C}$ to $+70^\circ\text{C}$; -40° to $+85^\circ\text{C}$). Below are guaranteed for listed standard frequencies.

Parameter	Symbol	Condition	Min	Typ	Max	Units
Power Supply Current	I_{DD}	$\leq 212.5\text{MHz}$ $> 212.5\text{MHz}$			115 128	mA
Output HIGH Voltage	V_{OH}	Std LVPECL load	1.85		2.3	V
Output LOW Voltage	V_{OL}	Std LVPECL load	1.1		1.65	V
Enable/Disable Input HIGH Voltage (Output enabled)*	V_{IH}		$70\%V_{DD}$			V
Enable/Disable Input LOW Voltage (Output disabled)	V_{IL}				$30\%V_{DD}$	V

* A pullup resistor from pin 6 (VDD) to pin 1 (E/D) enables output when pin 1 is left open.

AC Characteristics

($V_{DD} = 3.3\text{ V} \pm 5\%$, $T_A = -20^\circ\text{C}$ to $+70^\circ\text{C}$; -40° to $+85^\circ\text{C}$). Below are guaranteed for listed standard frequencies.

Parameter	Symbol	Condition	Min	Typ	Max	Units
Output Frequency Range	F_{OUTR}		0.016		670	MHz
Frequency Stability		Temperature = -20°C to $+70^\circ\text{C}$	± 20		± 100	ppm
		Temperature = -40°C to $+85^\circ\text{C}$	± 25		± 100	ppm
Aging (1 st year)		$T_a = 25^\circ\text{C}$			3	
Aging (10 years)		$T_a = 25^\circ\text{C}$			10	
Output Load		To $V_{DD} - 2.0\text{V}$		50		Ohms
Start-up Time	T_{ST}	Output valid time after VDD meets minimum specified level			10	ms
Output Rise Time		20% to 80% V_{PP} , Std frequencies			400	ps
Output Fall Time		80% to 20% V_{PP} , Std frequencies			400	ps
Output Clock Duty Cycle	T_{DTCY}	$50\% V_{PP}$ $\leq 312.5\text{MHz}$ $> 312.5\text{MHz}$	45 40		55 60	%
Output Enable/ Disable Time	T_{OE}				100	ns
Period Jitter, RMS	J_{PER}	Frequency = 156.25MHz		1.8	7	psec
Random Jitter	R_J	Frequency = 156.25MHz		0.7	1.8	psec
Deterministic Jitter	D_J	Per MJSQ spec (Methodologies for Jitter and Signal Quality specifications)		8	24	psec
Total Jitter	T_J			18	42	psec
Phase Jitter (12kHz – 20MHz)	ϕ_{JITTER}	Standard frequencies @ 25°C , 3.3V		300	400	fsec
Phase Noise Performance Frequency = 156.25MHz	ϕ_{NOISE}	100Hz of Carrier		-95		dBc/Hz
		1kHz of Carrier		-115		dBc/Hz
		10kHz of Carrier		-120		dBc/Hz
		100kHz of Carrier		-129		dBc/Hz
		1MHz of Carrier		-149		dBc/Hz
		10MHz of Carrier		-156		dBc/Hz
Output Frequency (Standards)	F_{OUT}	100MHz, 106.25MHz, 125MHz, 150MHz, 155.52MHz, 156.25MHz, 200MHz, 212.5MHz, 250MHz, 300MHz, 312.5MHz, 400MHz (Contact IDT for additional frequencies)				

Note: Inclusive of initial frequency accuracy, operating temperature range, supply variation, load variation, 3 times solder reflow, shock, vibration and 1 year aging at 25°C . We do not recommend hand soldering the devices

DC Characteristics

($V_{DD} = 2.5\text{ V} \pm 5\%$, $T_A = -20^\circ\text{C}$ to $+70^\circ\text{C}$; -40° to $+85^\circ\text{C}$). Below are guaranteed for listed standard frequencies.

Parameter	Symbol	Condition	Min	Typ	Max	Units
Power Supply Current	I_{DD}	$\leq 156.25\text{MHz}$ $> 156.25\text{MHz}$			102 112	mA
Output HIGH Voltage	V_{OH}	Std LVPECL load	1.1		1.45	V
Output LOW Voltage	V_{OL}	Std LVPECL load	0.035		0.085	V
Enable/Disable Input HIGH Voltage (Output enabled)*	V_{IH}		$70\%V_{DD}$			V
Enable/Disable Input LOW Voltage (Output disabled)	V_{IL}				$30\%V_{DD}$	V

* A pullup resistor from pin 6 (VDD) to pin 1 (E/D) enables output when pin 1 is left open.

AC Characteristics

($V_{DD} = 2.5\text{ V} \pm 5\%$, $T_A = -20^\circ\text{C}$ to $+70^\circ\text{C}$; -40° to $+85^\circ\text{C}$). Below are guaranteed for listed standard frequencies.

Parameter	Symbol	Condition	Min	Typ	Max	Units
Output Frequency Range	F_{OUTR}		0.750		670	MHz
Frequency Stability		Temperature = -20°C to $+70^\circ\text{C}$	± 20		± 100	ppm
		Temperature = -40°C to $+85^\circ\text{C}$	± 25		± 100	ppm
Output Load		To $V_{DD} - 2.0\text{V}$		50		Ohms
Start-up Time	T_{ST}	Output valid time after VDD meets minimum specified level			10	ms
Output Rise Time		20% to 80% V_{PP}		250	630	ps
Output Fall Time		80% to 20% V_{PP}		360	630	ps
Output Clock Duty Cycle	T_{DTCY}	50% V_{PP} $\leq 156.25\text{MHz}$ $> 156.25\text{MHz}$	45 40		55 60	%
Output Enable/ Disable Time	T_{OE}				100	ns
Period Jitter, RMS	J_{PER}	Frequency = 156.25MHz		2	5	psec
Random Jitter	R_J	Frequency = 156.25MHz		0.7	1.6	psec
Deterministic Jitter	D_J	Per MJSQ spec (Methodologies for Jitter and Signal Quality specifications)		8	22	psec
Total Jitter	T_J			18	38	psec
Phase Jitter (12kHz – 20MHz)	ϕ_{JITTER}	Frequency = 156.25MHz @ 25°C , 2.5V		350	500	fsec
Phase Noise Performance Frequency = 156.25MHz	ϕ_{NOISE}	100Hz of Carrier		-94		dBc/Hz
		1kHz of Carrier		-113		dBc/Hz
		10kHz of Carrier		-120		dBc/Hz
		100kHz of Carrier		-128		dBc/Hz
		1MHz of Carrier		-147		dBc/Hz
		10MHz of Carrier		-155		dBc/Hz
Output Frequency (Standards)	F_{OUT}	100MHz, 106.25MHz, 125MHz, 150MHz, 155.52MHz, 156.25MHz, 200MHz, 212.5MHz, 250MHz, 300MHz, 312.5MHz, 400MHz (Contact IDT for additional frequencies)				

Note: Inclusive of initial frequency accuracy, operating temperature range, supply variation, load variation, 3 times solder reflow, shock, vibration and 1 year aging at 25°C . We do not recommend hand soldering the devices

DC Characteristics

($V_{DD} = 1.8\text{ V} \pm 5\%$, $T_A = -20^\circ\text{C}$ to $+70^\circ\text{C}$; -40° to $+85^\circ\text{C}$). Below are guaranteed for listed standard frequencies.

Parameter	Symbol	Condition	Min	Typ	Max	Units
Power Supply Current	I_{DD}	$\leq 250\text{MHz}$ $> 250\text{MHz}$			75 90	mA
Output HIGH Voltage	V_{OH}	Std LVPECL load	0.5		0.8	V
Output LOW Voltage	V_{OL}	Std LVPECL load	0		0.25	V
Enable/Disable Input HIGH Voltage (Output enabled)*	V_{IH}		$70\%V_{DD}$			V
Enable/Disable Input LOW Voltage (Output disabled)	V_{IL}				$30\%V_{DD}$	V

* A pullup resistor from pin 6 (VDD) to pin 1 (E/D) enables output when pin 1 is left open.

AC Characteristics

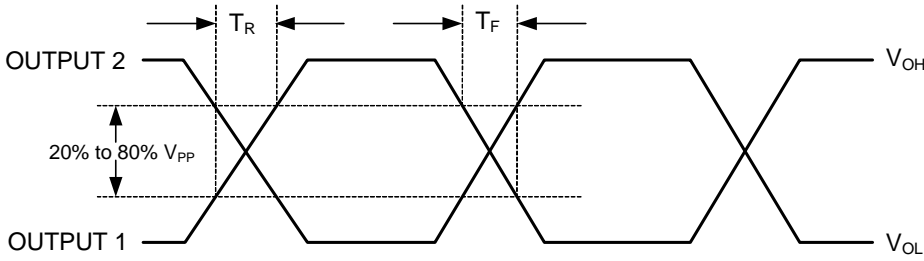
($V_{DD} = 1.8\text{ V} \pm 5\%$, $T_A = -20^\circ\text{C}$ to $+70^\circ\text{C}$; -40° to $+85^\circ\text{C}$). Below are guaranteed for listed standard frequencies.

Parameter	Symbol	Condition	Min	Typ	Max	Units
Output Frequency Range	F_{OUTR}		0.016		670	MHz
Frequency Stability STD Frequencies		Temperature = -20°C to $+70^\circ\text{C}$	± 20		± 100	ppm
		Temperature = -40°C to $+85^\circ\text{C}$	± 25		± 100	ppm
Output Load		To GND		50		Ohms
Start-up Time	T_{ST}	Output valid time after VDD meets minimum specified level			10	ms
Output Rise Time		20% to 80% V_{PP}		250	350	ps
Output Fall Time		80% to 20% V_{PP}		250	350	ps
Output Clock Duty Cycle	T_{DTCY}	@ 50% V_{PP} $\leq 312.5\text{MHz}$ $> 312.5\text{MHz}$	45 40		55 60	%
Output Enable/ Disable Time	T_{OE}				100	ns
Period Jitter, RMS	J_{PER}	Frequency = 156.25MHz		1.8	4.2	psec
Random Jitter	R_J	Frequency = 156.25MHz		0.75	1.6	psec
Deterministic Jitter	D_J	Per MJSQ spec (Methodologies for Jitter and Signal Quality specifications)		8	25	psec
Total Jitter	T_J			20	45	psec
Phase Jitter (12kHz – 20MHz)	ϕ_{JITTER}	Frequency = 156.25MHz @ 25°C , 1.8V		750	1200	fsec
Phase Noise Performance Frequency = 156.25MHz	ϕ_{NOISE}	100Hz of Carrier		-90		dBc/Hz
		1kHz of Carrier		-101		dBc/Hz
		10kHz of Carrier		-109		dBc/Hz
		100kHz of Carrier		-122		dBc/Hz
		1MHz of Carrier		-144		dBc/Hz
		10MHz of Carrier		-149		dBc/Hz
Output Frequency (Standards)	F_{OUT}	100MHz, 106.25MHz, 125MHz, 150MHz, 155.52MHz, 156.25MHz, 200MHz, 212.5MHz, 250MHz, 300MHz, 312.5MHz, 400MHz (Contact IDT for additional frequencies)				

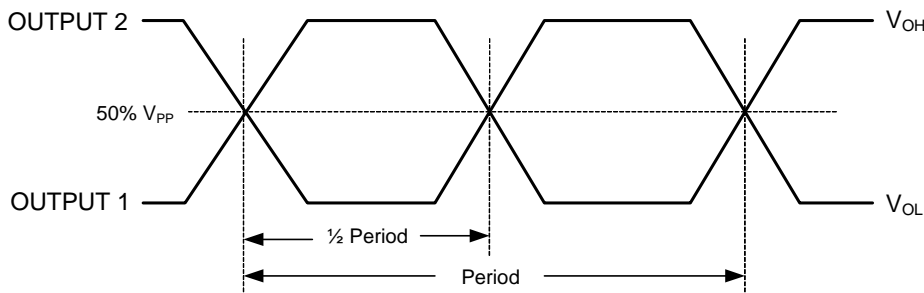
Note: Inclusive of initial frequency accuracy, operating temperature range, supply variation, load variation, 3 times solder reflow, shock, vibration and 1 year aging at 25°C . We do not recommend hand soldering the devices

Output Waveform

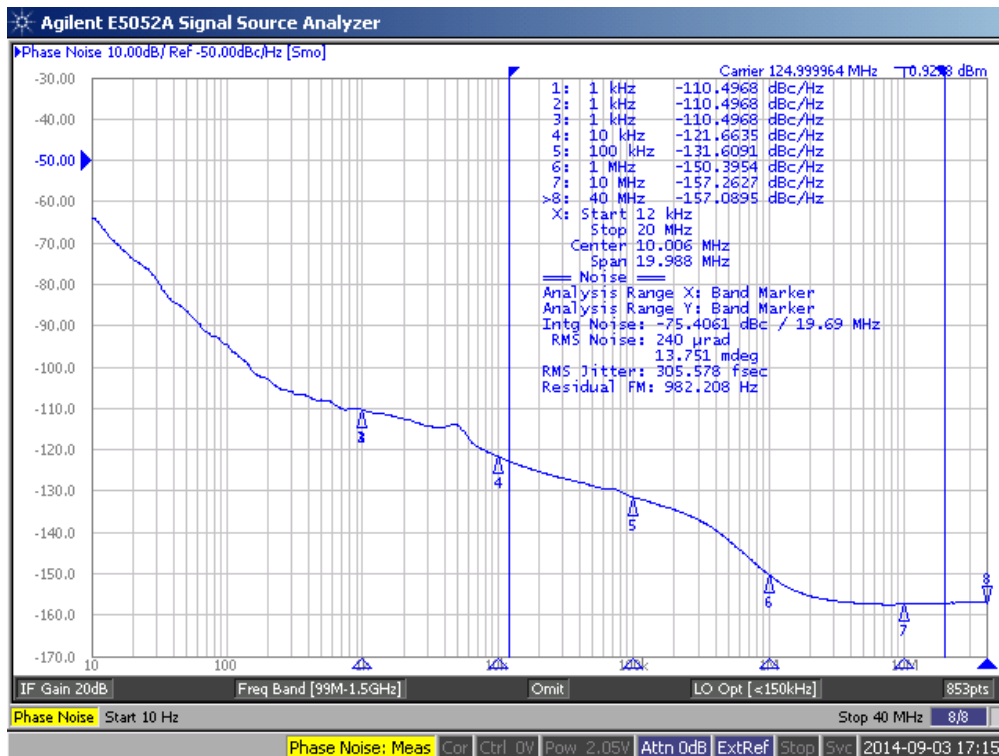
Rise Time/Fall Time Measurements



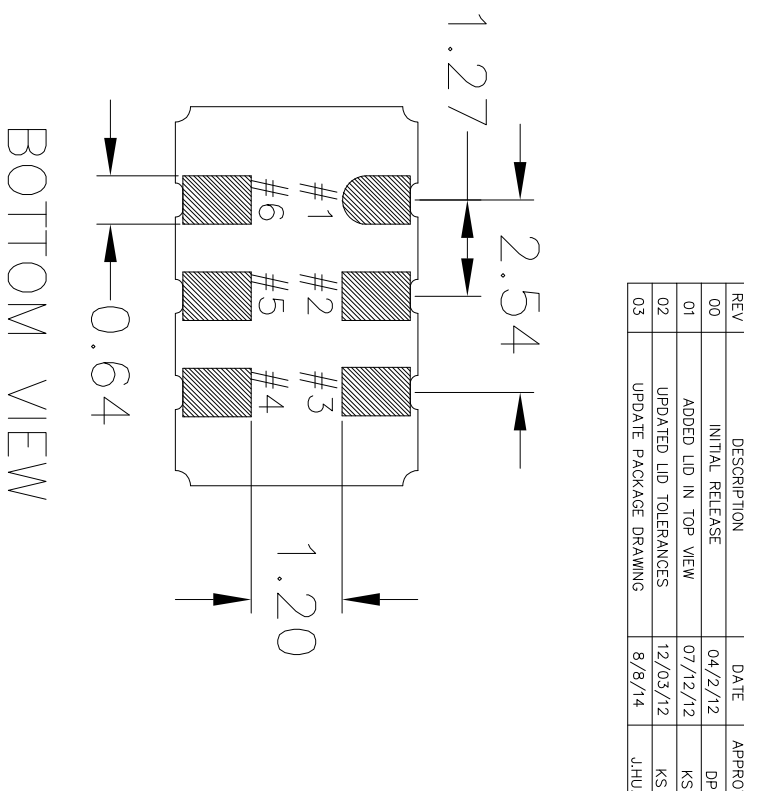
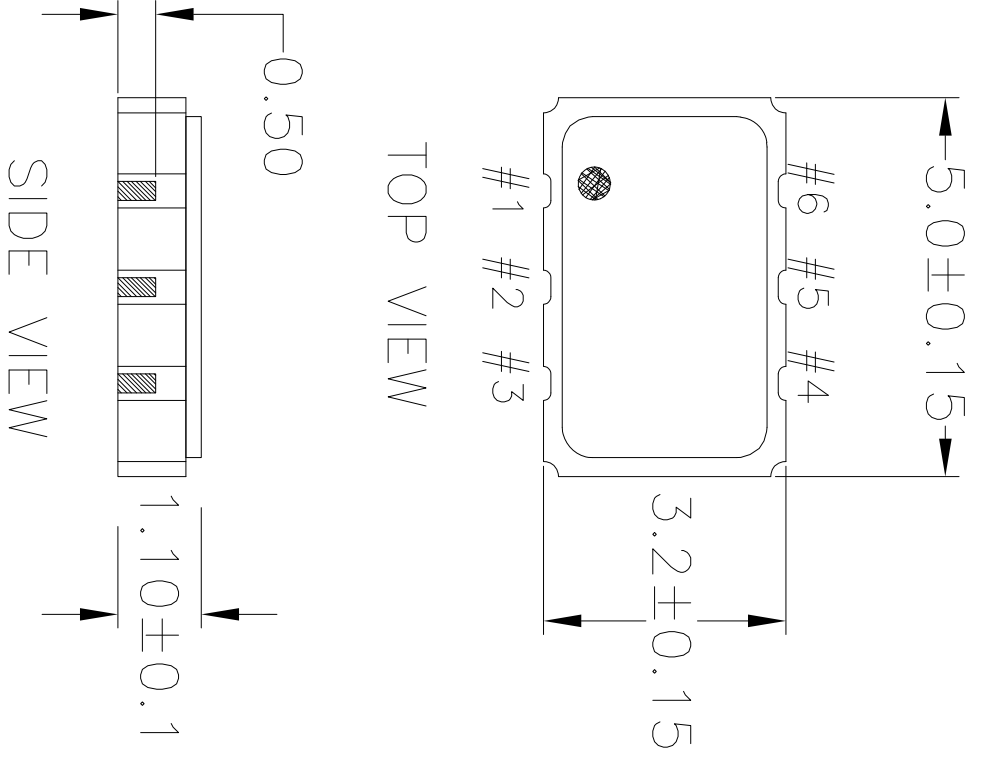
Oscillator Symmetry



Typical Phase Noise



JS6 Package Outline and Dimensions



REV	DESCRIPTION	DATE	APPRO
00	INITIAL RELEASE	04/2/12	DP
01	ADDED LID IN TOP VIEW	07/12/12	KS
02	UPDATED LID TOLERANCES	12/03/12	KS
03	UPDATE PACKAGE DRAWING	8/8/14	JHU

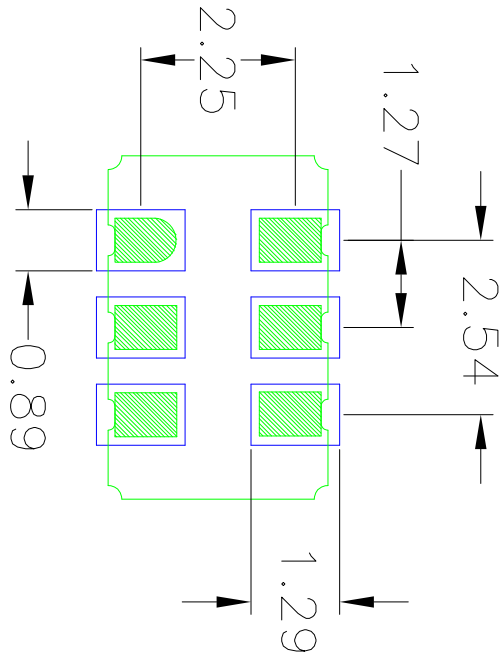
NOTES:
1. ALL DIMENSIONS IN MM.

TOLERANCES UNLESS SPECIFIED	
DECIMAL	ANGULAR
XXX	±
XXXX	
XXXXX	
APPROVALS	DATE
DRAWN: gac	04/2/12
CHECKED	
SIZE	DRAWING No.
C	PSC-4411

6024 Silver Creek Valle
San Jose, CA 95138
PHONE: (408) 727-6116
FAX: (408) 492-8674

www.IDT.com

JS6 Package Outline and Dimensions (cont.)



RECOMMENDED LAND PATTERN

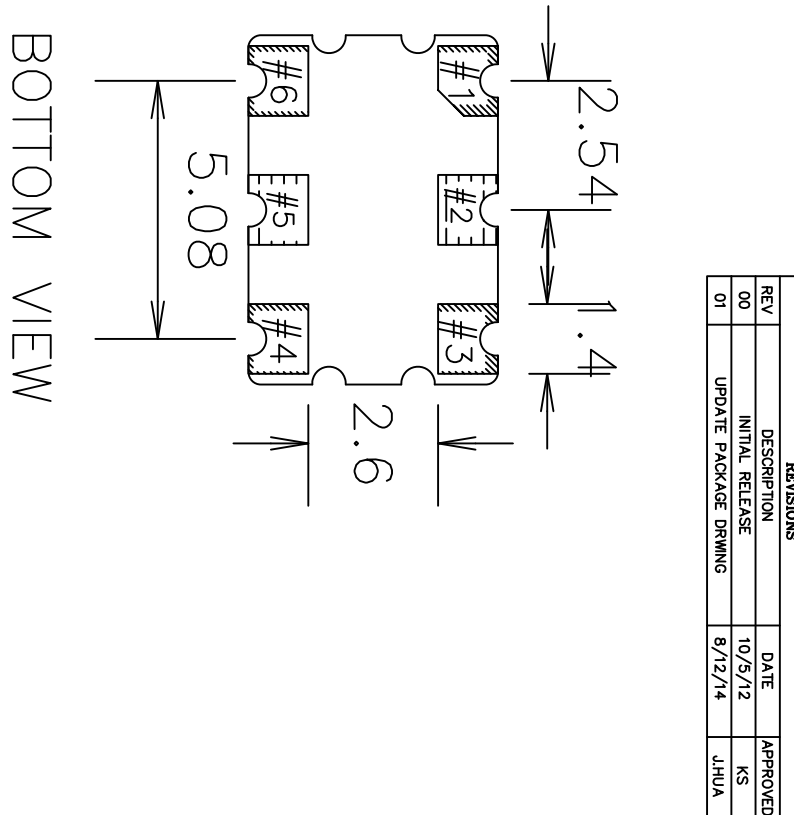
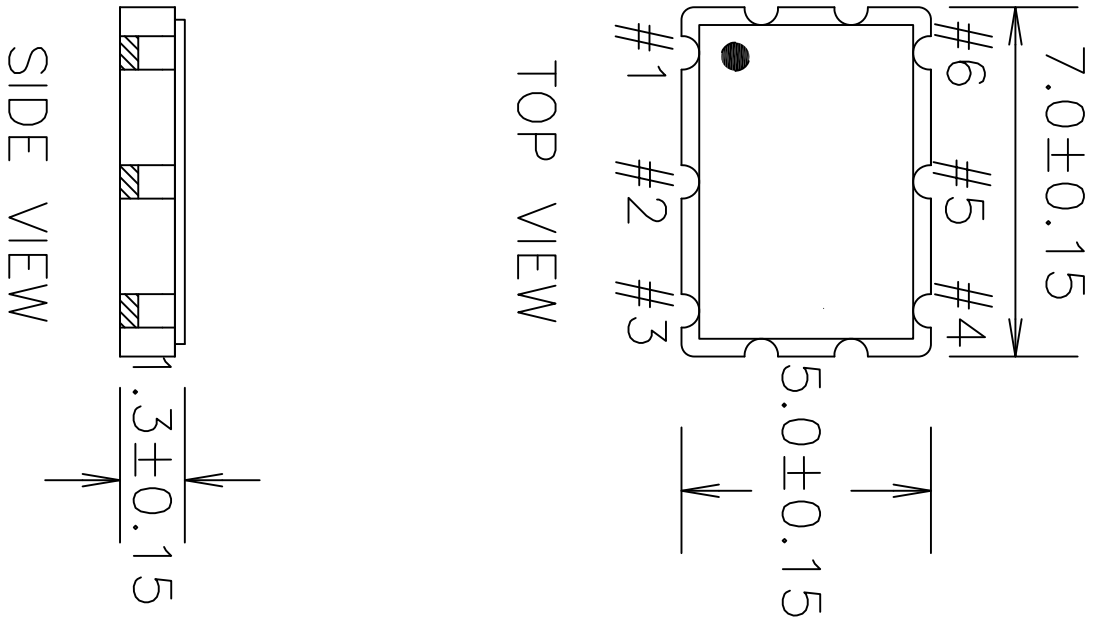
NOTES:

1. ALL DIMENSION ARE IN mm. ANGLES IN DEGREES.
2. TOP DOWN VIEW. AS VIEWED ON PCB.
3. COMPONENT OUTLINE SHOW FOR REFERENCE IN GREEN.
4. LAND PATTERN IN BLUE. NSMD PATTERN ASSUMED.
5. LAND PATTERN RECOMMENDATION PER IPC-7351B GENERIC REQUIREMENT FOR SURFACE MOUNT DESIGN AND LAND PATTERN.

REVISIONS			
REV	DESCRIPTION	DATE	APPROVED
00	INITIAL RELEASE	04/2/12	DP
01	ADDED LID IN TOP VIEW	07/12/12	KS
02	UPDATED LID TOLERANCES	12/03/12	KS
03	UPDATE PACKAGE DRAWING	8/8/14	JHUA

TOLERANCES UNLESS SPECIFIED		<p>6024 Silver Creek Valley Rd San Jose, CA 95138 PHONE: (408) 727-6116 FAX: (408) 492-8674</p>
DECIMAL	ANGULAR	
XXX±	±	
XXXX±		
DATE	TITLE	www.IDT.com
04/2/12	JS6 PACKAGE OUTLINE	
DRAWN: GJG	5.0 x 3.2 mm BODY	
CHECKED	1.1 mm Thick	
SIZE	DRAWING No.	REV
C	PSC-4411	03
DO NOT SCALE DRAWING		SHEET 2 OF 2

JU6 Package Outline and Dimensions

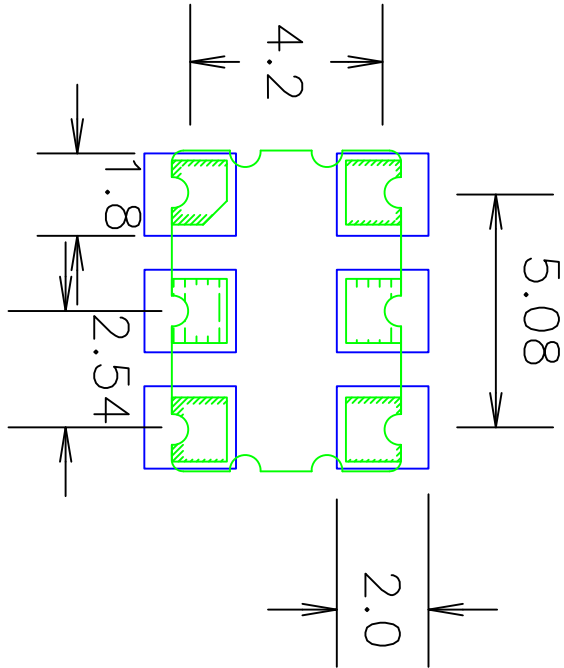


NOTES:
1. ALL DIMENSIONS IN MM.

REV	DESCRIPTION	DATE	APPROVED
00	INITIAL RELEASE	10/5/12	KS
01	UPDATE PACKAGE DRWING	8/12/14	JHUA

TOLERANCES UNLESS SPECIFIED			6024 Silver Creek Valley Rd San Jose, CA 95138 PHONE: (408) 727-6116 FAX: (408) 492-8674
DECIMAL	ANGULAR		
XXX±	±	www.IDT.com	
XXXX±			
XXXXX±			
APPROVALS	DATE	TITLE	
DRAWN: JCS	10/03/12	JU6 PACKAGE OUTLINE	
CHECKED		7.0 x 5.0 mm BODY	
		1.3 mm Thick	
SIZE	DRAWING No.	REV	
C	PSC-4430	01	

JU6 Package Outline and Dimensions (cont.)



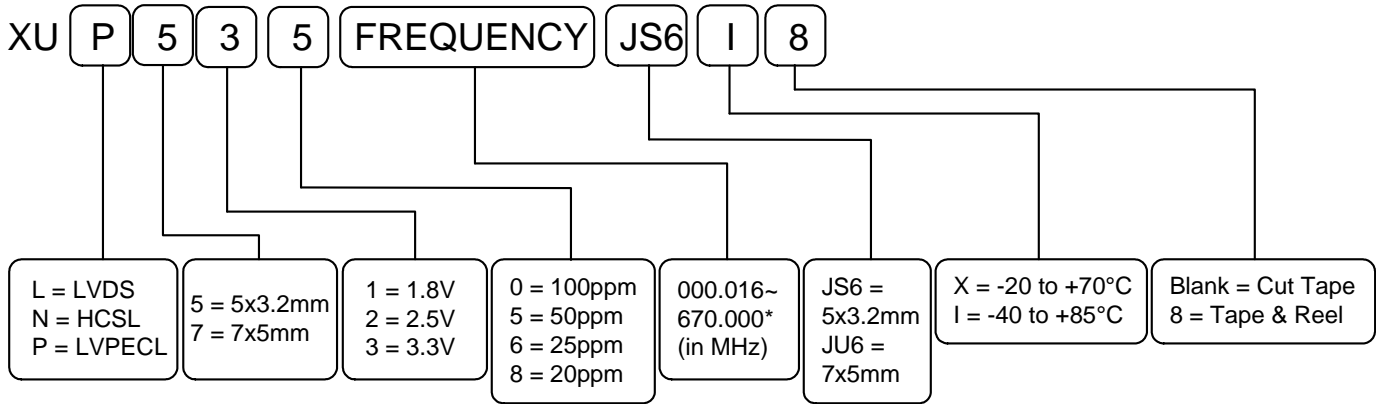
RECOMMENDED LAND PATTERN

- NOTES:
1. ALL DIMENSION ARE IN mm. ANGLES IN DEGREES.
 2. TOP DOWN VIEW. AS VIEWED ON PCB.
 3. COMPONENT OUTLINE SHOW FOR REFERENCE IN GREEN.
 4. LAND PATTERN IN BLUE. NSMD PATTERN ASSUMED.
 5. LAND PATTERN RECOMMENDATION PER IPC-7351B GENERIC REQUIREMENT FOR SURFACE MOUNT DESIGN AND LAND PATTERN.

REVISIONS			
REV	DESCRIPTION	DATE	APPROVED
00	INITIAL RELEASE	10/5/12	KS
01	UPDATE PACKAGE DRWING	8/12/14	J.HUA

TOLERANCES UNLESS SPECIFIED			6024 Silver Creek Valley Rd San Jose, CA 95138 PHONE: (408) 727-8116 FAX: (408) 492-8674
DECIMAL	ANGULAR		
XXX	±	www.IDT.com	
XXX			
XXX			
APPROVALS	DATE	TITLE	
	10/09/12	JU6 PACKAGE OUTLINE	
DRAWN		7.0 x 5.0 mm BODY	
CHECKED		1.3 mm Thick	
		SIZE	REV
		C	01
		DO NOT SCALE DRAWING	SHEET 2 OF 2

Ordering Information



* See table or contact IDT for custom frequencies

Revision History

Rev.	Date	Originator	Description of Change
A	10/01/14	B. Chandhoke	1. Corrected typo in spec for Enable/Disable Low Voltage; from $\geq 30\%VDD$ to $\leq 30\%VDD$. 2. Moved from Advance to Preliminary.
B	12/15/14	B. Chandhoke	1. Added 7 x 5 x 1.3mm JU6 package option and package dimension/landing pattern drawings. 2. Updates to all DC char tables. 3. Updates to all AC char tables. 4. Updates to Output Waveform diagram. 5. Updated ordering information table/graphic to show JU6 package option.



Corporate Headquarters
6024 Silver Creek Valley Road
San Jose, CA 95138 USA

Sales
1-800-345-7015 or 408-284-8200
Fax: 408-284-2775
www.IDT.com

Tech Support
email: clocks@idt.com

DISCLAIMER Integrated Device Technology, Inc. (IDT) and its subsidiaries reserve the right to modify the products and/or specifications described herein at any time and at IDT's sole discretion. All information in this document, including descriptions of product features and performance, is subject to change without notice. Performance specifications and the operating parameters of the described products are determined in the independent state and are not guaranteed to perform the same way when installed in customer products. The information contained herein is provided without representation or warranty of any kind, whether express or implied, including, but not limited to, the suitability of IDT's products for any particular purpose, an implied warranty of merchantability, or non-infringement of the intellectual property rights of others. This document is presented only as a guide and does not convey any license under intellectual property rights of IDT or any third parties.

IDT's products are not intended for use in applications involving extreme environmental conditions or in life support systems or similar devices where the failure or malfunction of an IDT product can be reasonably expected to significantly affect the health or safety of users. Anyone using an IDT product in such a manner does so at their own risk, absent an express, written agreement by IDT.

Integrated Device Technology, IDT and the IDT logo are registered trademarks of IDT. Product specification subject to change without notice. Other trademarks and service marks used herein, including protected names, logos and designs, are the property of IDT or their respective third party owners.

Copyright ©2014 Integrated Device Technology, Inc.. All rights reserved.