

Flush Silhouette Switches

# Ø22 CW Series



## Sleek and stylish switches and pilot lights with a 2.5 mm-thick bezel

The CW series gives a sleek, stylish image to your machines or control panels. The surface is safer with less chance of unexpected operation or accidents by hitting the projections, and also is cleaner with less dust build-up.



• See website for details on approvals and standards.

### Variety



**Illuminated Pushbuttons**  
(round flush or extended)

Black bezel available



**Pilot lights**  
(round flush or extended)

Black bezel available



**Pushbuttons**  
(round flush or extended)

Black bezel available



Knob



Lever

**Selector Switches**  
(knob or lever)  
2- and 3-position

Black bezel available

Black bezel available

Low extension with flush silhouette.



Hard to duplicate, wave-key ensures a high level of safety.

**Key Selector Switches**  
Wave key  
7 different key numbers

Black bezel available

### Colors

Illuminated Pushbuttons/Pilot Lights



Red (R) Green (G) Yellow (Y) Amber (A) Blue (S) Pure White (PW)

Pushbuttons



Black Green Red Yellow Blue White

Bezels



Metallic Black (plastic)

- APEM
- Switches & Pilot Lights
- Control Boxes
- Emergency Stop Switches
- Enabling Switches
- Safety Products
- Explosion Proof
- Terminal Blocks
- Relays & Sockets
- Circuit Protectors
- Power Supplies
- LED Illumination
- Controllers
- Operator Interfaces
- Sensors
- AUTO-ID

- Flush Silhouette
- Ø16
- Ø22
- Ø30
- Miniature
- Pilot Lights

- CW
- LW-F
- LB
- LBW
- UP
- Flush Bezel

## Double contact blocks

Double contact blocks with four-contact configurations.  
(Illuminated pushbuttons, pushbuttons, selector switches, key selector switches)

Double contact blocks



Single contact blocks



## Compact and shortest in its class

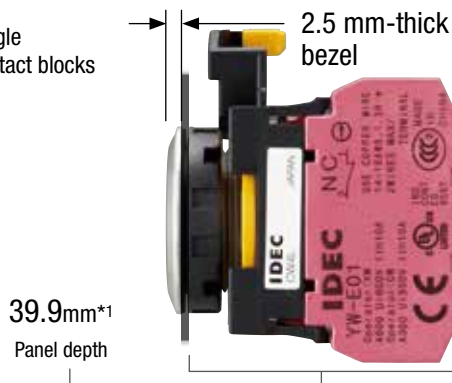
Short depth behind the panel for compact equipment.  
Double: 59.9 mm\*2 (maintained: 64.6 mm) Single: 39.9 mm\*1 (maintained: 44.6 mm)

Switching capacity is 120V AC, 10A (resistive load). The compact style requires less depth behind the panel.  
Can be used with IDEC's FB and other 22 mm control boxes. No transformer needed for any voltage.

Double contact blocks



Single contact blocks



\*1 Maintained types: 44.6mm \*2 Maintained types: 64.6mm

**Fits in small space**

*Four-contact illuminated pushbutton*

Conventional

40% less space  
50% less weight

CW series double contact block

*Two-contact illuminated pushbutton*

Conventional

50% less space  
59% less weight

CW series single contact block

## Safety

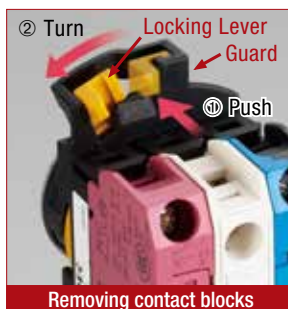
### Third-generation safety construction

#### Two-action removal of contact blocks

IDEC's original two-action push-turn locking lever provides a higher level of safety by preventing unexpected release of the locking lever. Whether the contact block is installed securely can be checked easily from the back of the panel, with the position of the locking lever.

#### Locking lever integrated with guard

Prevents locking lever from unexpected release or damage by trapped wires.






**IP20 Finger-safe Terminal**  
Finger-safe, IP20 terminal prevents electrical shock.



# ø22 CW Series Flush Silhouette Switches

Flush bezel projects only 2.5 mm from front of panel  
Only 39.9 mm depth behind the panel (except single contact block, momentary).

- ø22.3 mm mounting hole compliant with IEC 60947-5-1
- 3.5-mm operator travel for pushbuttons ensures comfortable and reliable operation.
- Black plastic and metallic bezels available.
- Four-contact configuration is available with double contact blocks.
- Direct opening NC contact ensures shutdown without failure.
- Seven different keys can be chosen for key selector switches.
- 10A contact rating. Up to three contact blocks for non-illuminated and two contact blocks for illuminated units can be connected.
- Contact blocks can be removed by the two-action locking lever integrated with a guard, ensuring safety.
- IP20 finger-safe screw terminals
- IP66/67, UL Type 4X degree of protection from panel front (see Table 1).

Applicable Standards	Mark	File No. or Organization
UL508 CSA C22.2 No.14		UL/c-UL File No. E68961
EN60947-5-1		EU Low Voltage Directive
GB14048.5		No. 2012010305589209 (Pilot lights: No. 2012010304567962)

## Contact Ratings

Rated Insulation Voltage (Ui)				300V		
Rated Thermal Current (Ith)				10A		
Rated Operating Voltage (Ue)				24V	120V	240V
Rated Operating Current (Ie)	Electrical Life 50,000 operations	AC 50/60 Hz	Resistive Load (AC-12)	10A	10A	6A
			Inductive Load (AC-15)	10A	6A	3A
		DC	Resistive Load (DC-12)	8A	2.2A	1.1A
			Inductive Load (DC-13)	4A	1.1A	0.55A
Electrical Life 100,000 operations	AC 50/60 Hz	Resistive Load (AC-12)	5A	5A	3A	
		Inductive Load (AC-15)	5A	3A	1.5A	
	DC	Resistive Load (DC-12)	4A	1.1A	0.55A	
		Inductive Load (DC-13)	2A	0.55A	0.27A	
Contact Material				Silver		

- Minimum applicable load (reference value): 3V AC/DC, 5 mA (Applicable range is subject to the operating conditions and load.)
- Note: The operational current represents the classification by making and breaking currents (IEC 60947-5-1).
- UL, c-UL rating: A300, CCC rating: A300

Table 1 (Degree of Protection)

	IP65	IP66	IP67	UL Type 4X
Illuminated Pushbutton	Yes	Yes (Note)	Yes (Note)	Yes (Note)
Pilot Light	Yes	Yes	No	Yes
Pushbutton	Yes	Yes (Note)	Yes (Note)	Yes (Note)
Selector Switch	Yes	Yes	Yes	Yes
Key Selector Switch	Yes	Yes	No	Yes

Note: When used with rubber boot (CW9Z-D11, -D12)



## Specifications

Operating Temperature	Non-illuminated: -25 to +60°C (no freezing) LED illuminated: -25 to +55°C (no freezing)	
Operating Humidity	45 to 85% RH (no condensation)	
Storage Temperature	-40 to +80°C (no freezing)	
Contact Resistance	50 mΩ maximum (initial value)	
Insulation Resistance	100 MΩ minimum (500V DC megger)	
Overtoltage Category	II (IEC 60664-1)	
Impulse Withstand Voltage	2.5 kV (IEC 60664-1/60947-5-1)	
Pollution Degree	3 (IEC 60947-5-1)	
Vibration Resistance	Operating extremes: 5 to 55Hz, amplitude 0.5 mm Damage limits: 30 Hz, amplitude 1.5 mm	
Shock Resistance	Operating extremes: 100 m/s <sup>2</sup> Damage limits: 1000 m/s <sup>2</sup>	
Mechanical Life (minimum operations)	Illuminated pushbutton/pushbutton	
	Momentary:	2,000,000 (single contact block) 1,000,000 (double contact block)
	Maintained:	250,000 (single contact block) 100,000 (double contact block)
	Selector switch:	250,000 (single contact block) 100,000 (double contact block)
Electrical Life (minimum operations)	Single contact block	50,000 (see Contact Ratings) 100,000 (see Contact Ratings)
	Double contact block	25,000 (see Contact Ratings) 50,000 (see Contact Ratings)
Switching frequency	Momentary: 1800 operations/h Maintained: 900 operations/h	
	Degree of Protection (IEC 60529)	Panel front: See table to the left Terminal: IP20 (IEC 60529)
Short-circuit Protection	250V/10A fuse (Type aM IEC 60269-1, IEC 602069-2)	
Electrical Shock Protection	Class II (IEC 61140)	
Terminal Style	Screw terminal (M3.5 slotted Phillips screw) (Ring terminal cannot be used.)	
Bezel Material	Polyamide	
Applicable Wire Size	Up to 2 wires of 2 mm <sup>2</sup> (solid wire ø1.6) maximum (14 to 16AWG)	
Recommended Tightening Torque	Terminal:	1.0 to 1.3 N-m
	Locking ring:	1.2 N-m

Weight (Examples)

Illuminated Pushbutton	46g (CW1L-M1E02QH, 2 contacts) 62g (CW1L-M1E22QH, 4 contacts)
Pilot Light	27g (CW1P-1EQH)
Pushbutton	45g (CW1B-M1E03, 3 contacts) 52g (CW1B-M1E22, 4 contacts)
Selector Switch	48g (CW1S-2E03, 3 contacts) 55g (CW1S-2E22, 4 contacts)
Key Selector Switch	61g (CW1K-2AE03, 3 contacts) 68g (CW1K-2AE22, 4 contacts)

Direct Opening of Key Selector Switch

Applicable Type	2-position (3NC)	3-position (2NC)
Minimum Operator Angle for Direct Opening Action	90°	45°
Minimum Operator Torque for Direct Opening Action	0.2 N·m	0.3 N·m
Maximum Operator Angle	90°	45°

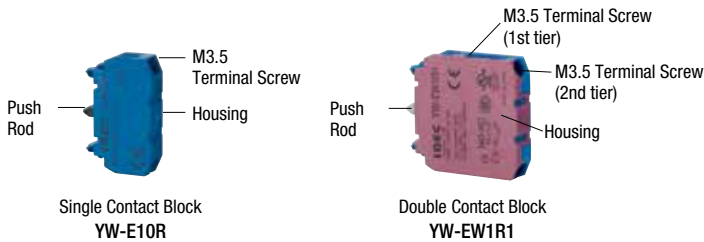
LED Module

Rated Insulation Voltage (Ui)	250V					
Rated Operating Voltage (Ue)	6V AC/DC	12V AC/DC	24V AC/DC	100/120V AC (50/60 Hz sine wave)	200/220V AC (50/60 Hz sine wave)	230/240V AC (50/60 Hz sine wave)
Operating Voltage Range	6V AC/DC±10%	12V AC/DC ±10%	24V AC/DC ±10%	100/120V AC ±10%	200/220V AC ±10%	230/240V AC ±10%
Illumination Color Code ②	A (amber), G (green), PW (pure white), R (red), S (blue)					
LED Module Part No.	CW-EAQ2②	CW-EAQ3②	CW-EAQ4②	CW-EAQH②	CW-EAQM②	CW-EAQM4②
Current Draw	15 mA	15 mA	16.5 mA	18 mA	20 mA	18 mA
Life (reference value)	Approx. 30,000 hours (the illuminance is reduced to 50% of the initial intensity when used on complete DC at 25°C.)					
Internal Circuit						

- Specify an illumination color code in place of ② in the Part No.
- Use the pure white (PW) LED module for yellow illumination.

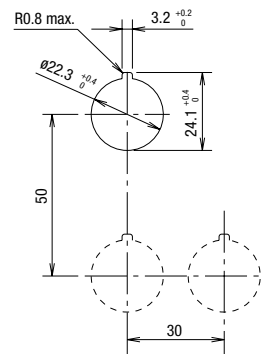
Contact Blocks

Contact	Single Contact Block		Double Contact Block		
	1NO	1NC	2NO	2NC	1NO-1NC
Part No.	YW-E10R	YW-E01	YW-EW2R0	YW-EW02	YW-EW1R1
Shape					
Housing Color	Blue/Black	Reddish Purple	Blue/Black	Reddish Purple	Reddish Purple/Blue
Push Rod Color	Black	Red	Black	Red	Gray
Terminal No.	3-4	1-2	1st tier: 13-14 2nd tier: 23-24	1st tier: 11-12 2nd tier: 21-22	1st tier: (NO) 13-14 2nd tier: (NC) 21-22
Weight (approx.)	11g		19g		



Mounting Hole Layout

IEC 60947-5-1 compliant



Note: Determine mounting centers to ensure easy operation.

APEM

Switches & Pilot Lights

Control Boxes

Emergency Stop Switches

Enabling Switches

Safety Products

Explosion Proof

Terminal Blocks

Relays & Sockets

Circuit Protectors

Power Supplies

LED Illumination

Controllers

Operator Interfaces

Sensors

AUTO-ID

Flush Silhouette

ø16

ø22

ø30

Miniature

Pilot Lights

CW

LW-F

LB

LBW

UP

Flush Bezel

## ø22 Flush Silhouette Switches CW Series

## Part No. Development

## Illuminated Pushbuttons

Note: Please use these charts to interpret the part numbers as all combinations are not possible to be created.

C W 1 L - M 1 E 10 Q4 ②

## Bezel Color

Code	Bezel Color
1	Black
4	Metallic

## Operation

Code	Operation
M	Momentary
A	Maintained

## Shape

Code	Shape
1	Round Flush
2	Round Extended

## Illumination Color

Code	Color	Code	Color
A	Amber	R	Red
G	Green	S	Blue
PW	Pure White	Y	Yellow

## Rated Voltage

Code	Rated Voltage	Code	Rated Voltage
Q2	6V AC/DC	QH	100/120V AC
Q3	12V AC/DC	QM	200/220V AC
Q4	24V AC/DC	QM4	230/240V AC

## Contact Configuration

Code	Contact Configuration	Code	Contact Configuration
10	1NO	20	2NO
01	1NC	02	2NC
11	1NO-1NC	22	2NO-2NC

## Pilot Lights

C W 1 P - 1 E Q4 ②

## Bezel Color

Code	Bezel Color
1	Black
4	Metallic

## Shape

Code	Shape
1	Round Flush
2	Round Extended

## Illumination Color

Code	Color	Code	Color
A	Amber	R	Red
G	Green	S	Blue
PW	Pure White	Y	Yellow

## Rated Voltage

Code	Rated Voltage	Code	Rated Voltage
Q2	6V AC/DC	QH	100/120V AC
Q3	12V AC/DC	QM	200/220V AC
Q4	24V AC/DC	QM4	230/240V AC

## Pushbuttons

C W 1 B - M 1 E 10 ①

## Bezel Color

Code	Bezel Color
1	Black
4	Metallic

## Operation

Code	Operation
M	Momentary
A	Maintained

## Shape

Code	Shape
1	Round Flush
2	Round Extended

## Button Color

Code	Color	Code	Color
A	Amber	R	Black
B	Black	S	Blue
G	Green	Y	Yellow

## Contact Configuration

Code	Contact Configuration	Code	Contact Configuration
10	1NO	02	2NC
01	1NC	21	2NO-1NC
11	1NO-1NC	22	2NO-2NC
12	1NO-2NC	30	3NO
20	2NO	03	3NC

**Selector Switches**

**CW 1 S - 2 LE 10**

**Bezel Color**

Code	Bezel Color
1	Black
4	Metallic

**Contact Configuration**  
See **B-015** to **B-016**.

**Operator**

Code	Shape
Blank	Knob
L	Lever

**Positions**

**2-position**

Code	Position	Code	Positions
2	Maintained 	21	Spring return from right 

**3-position**

Code	Position	Code	Positions	Code	Position	Code	Positions
3	Maintained 	31	Spring return from right 	32	Spring return from left 	33	Spring return two-way 

**Key Selector Switches**

**CW 1 K - 2 A E 10 - 1H**

**Bezel Color**

Code	Bezel Color
1	Black
4	Metallic

**Key**

Code	Bezel Color
Blank	Standard
1H to 2H	Reversible Key
3H to 6H	Non-reversible Key

**Positions**

Code	Bezel Color
2	90° 2-position, maintained
21	90° 2-position, spring return from right
3	45° 3-position, maintained
31	45° 3-position, spring return from right
32	45° 3-position, spring return from left
33	45° 3-position, spring return two-way

**Contact Configuration**  
See **B-017** and **B-018**.

**Key Removal Position**

**2-position**

Code	Position	Code	Positions	Code	Positions	Spring Return from right
A	Maintained 	B	Removable in left only 	C	Removable in right only 	

①②: Key retained position

Note: The key cannot be removed in a spring return position.

**3-position**

Code	Position	Code	Positions	Code	Positions	Code	Positions
A	Maintained 	B	Removable in left and center 	C	Removable in right and center 	D	Removable in center only 
E	Maintained (removable in right and left) 	G	Removable in left only 	H	Removable in right only 		

①②: Key retained position

Spring Return from right	Spring Return from left	Spring Return two-way

Note: The key cannot be removed in a spring return position.

APEM

Switches & Pilot Lights

Control Boxes

Emergency Stop Switches

Enabling Switches

Safety Products

Explosion Proof

Terminal Blocks

Relays & Sockets

Circuit Protectors

Power Supplies

LED Illumination

Controllers

Operator Interfaces

Sensors

AUTO-ID

Flush Silhouette

ø16

ø22

ø30

Miniature

Pilot Lights

CW

LW-F

LB



LBW

UP

Flush Bezel

## Illuminated Pushbuttons



Package quantity: 1

Shape	Operation	Operating Voltage	Contact Configuration	Part No.		Illumination Color Code ②			
				Black Bezel	Metallic Bezel				
Round Flush CW□□L-M1 CW□□L-A1   (black bezel)   (metallic bezel)	Momentary	6V AC/DC	1NO	CW1L-M1E10Q2②	CW4L-M1E10Q2②	Specify an illumination color code in place of ② in the Part No.  A: amber G: green PW: pure white R: red S: blue Y: yellow			
			1NC	CW1L-M1E01Q2②	CW4L-M1E01Q2②				
			1NO-1NC	CW1L-M1E11Q2②	CW4L-M1E11Q2②				
			2NO	CW1L-M1E20Q2②	CW4L-M1E20Q2②				
			2NC	CW1L-M1E02Q2②	CW4L-M1E02Q2②				
			2NO-2NC	CW1L-M1E22Q2②	CW4L-M1E22Q2②				
		12V AC/DC	1NO	CW1L-M1E10Q3②	CW4L-M1E10Q3②				
			1NC	CW1L-M1E01Q3②	CW4L-M1E01Q3②				
			1NO-1NC	CW1L-M1E11Q3②	CW4L-M1E11Q3②				
			2NO	CW1L-M1E20Q3②	CW4L-M1E20Q3②				
			2NC	CW1L-M1E02Q3②	CW4L-M1E02Q3②				
			2NO-2NC	CW1L-M1E22Q3②	CW4L-M1E22Q3②				
		24V AC/DC	1NO	CW1L-M1E10Q4②	CW4L-M1E10Q4②				
			1NC	CW1L-M1E01Q4②	CW4L-M1E01Q4②				
			1NO-1NC	CW1L-M1E11Q4②	CW4L-M1E11Q4②				
			2NO	CW1L-M1E20Q4②	CW4L-M1E20Q4②				
			2NC	CW1L-M1E02Q4②	CW4L-M1E02Q4②				
			2NO-2NC	CW1L-M1E22Q4②	CW4L-M1E22Q4②				
		100/120V AC	1NO	CW1L-M1E10QH②	CW4L-M1E10QH②				
			1NC	CW1L-M1E01QH②	CW4L-M1E01QH②				
			1NO-1NC	CW1L-M1E11QH②	CW4L-M1E11QH②				
			2NO	CW1L-M1E20QH②	CW4L-M1E20QH②				
			2NC	CW1L-M1E02QH②	CW4L-M1E02QH②				
			2NO-2NC	CW1L-M1E22QH②	CW4L-M1E22QH②				
		200/220V AC	1NO	CW1L-M1E10QM②	CW4L-M1E10QM②				
			1NC	CW1L-M1E01QM②	CW4L-M1E01QM②				
			1NO-1NC	CW1L-M1E11QM②	CW4L-M1E11QM②				
			2NO	CW1L-M1E20QM②	CW4L-M1E20QM②				
			2NC	CW1L-M1E02QM②	CW4L-M1E02QM②				
			2NO-2NC	CW1L-M1E22QM②	CW4L-M1E22QM②				
		230/240V AC	1NO	CW1L-M1E10QM4②	CW4L-M1E10QM4②				
			1NC	CW1L-M1E01QM4②	CW4L-M1E01QM4②				
			1NO-1NC	CW1L-M1E11QM4②	CW4L-M1E11QM4②				
			2NO	CW1L-M1E20QM4②	CW4L-M1E20QM4②				
			2NC	CW1L-M1E02QM4②	CW4L-M1E02QM4②				
			2NO-2NC	CW1L-M1E22QM4②	CW4L-M1E22QM4②				
		Flush Silhouette	Maintained	6V AC/DC	1NO		CW1L-A1E10Q2②	CW4L-A1E10Q2②	Specify an illumination color code in place of ② in the Part No.  A: amber G: green PW: pure white R: red S: blue Y: yellow
					1NC		CW1L-A1E01Q2②	CW4L-A1E01Q2②	
					1NO-1NC		CW1L-A1E11Q2②	CW4L-A1E11Q2②	
					2NO		CW1L-A1E20Q2②	CW4L-A1E20Q2②	
					2NC		CW1L-A1E02Q2②	CW4L-A1E02Q2②	
					2NO-2NC		CW1L-A1E22Q2②	CW4L-A1E22Q2②	
				12V AC/DC	1NO		CW1L-A1E10Q3②	CW4L-A1E10Q3②	
					1NC		CW1L-A1E01Q3②	CW4L-A1E01Q3②	
					1NO-1NC		CW1L-A1E11Q3②	CW4L-A1E11Q3②	
					2NO		CW1L-A1E20Q3②	CW4L-A1E20Q3②	
					2NC		CW1L-A1E02Q3②	CW4L-A1E02Q3②	
					2NO-2NC		CW1L-A1E22Q3②	CW4L-A1E22Q3②	
24V AC/DC	1NO			CW1L-A1E10Q4②	CW4L-A1E10Q4②				
	1NC			CW1L-A1E01Q4②	CW4L-A1E01Q4②				
	1NO-1NC			CW1L-A1E11Q4②	CW4L-A1E11Q4②				
	2NO			CW1L-A1E20Q4②	CW4L-A1E20Q4②				
	2NC			CW1L-A1E02Q4②	CW4L-A1E02Q4②				
	2NO-2NC			CW1L-A1E22Q4②	CW4L-A1E22Q4②				
100/120V AC	1NO			CW1L-A1E10QH②	CW4L-A1E10QH②				
	1NC			CW1L-A1E01QH②	CW4L-A1E01QH②				
	1NO-1NC			CW1L-A1E11QH②	CW4L-A1E11QH②				
	2NO			CW1L-A1E20QH②	CW4L-A1E20QH②				
	2NC			CW1L-A1E02QH②	CW4L-A1E02QH②				
	2NO-2NC			CW1L-A1E22QH②	CW4L-A1E22QH②				
200/220V AC	1NO			CW1L-A1E10QM②	CW4L-A1E10QM②				
	1NC			CW1L-A1E01QM②	CW4L-A1E01QM②				
	1NO-1NC			CW1L-A1E11QM②	CW4L-A1E11QM②				
	2NO			CW1L-A1E20QM②	CW4L-A1E20QM②				
	2NC			CW1L-A1E02QM②	CW4L-A1E02QM②				
	2NO-2NC			CW1L-A1E22QM②	CW4L-A1E22QM②				
230/240V AC	1NO			CW1L-A1E10QM4②	CW4L-A1E10QM4②				
	1NC			CW1L-A1E01QM4②	CW4L-A1E01QM4②				
	1NO-1NC			CW1L-A1E11QM4②	CW4L-A1E11QM4②				
	2NO			CW1L-A1E20QM4②	CW4L-A1E20QM4②				
	2NC			CW1L-A1E02QM4②	CW4L-A1E02QM4②				
	2NO-2NC			CW1L-A1E22QM4②	CW4L-A1E22QM4②				

- See **B-024** for replacement LED modules.
- Marking film can be inserted to indicate legends. See **B-026**.
- See **B-019** for dimensions.
- A dummy block is installed when one contact block is used.

Illuminated Pushbuttons

Package quantity: 1

Shape	Operation	Operating Voltage	Contact Configuration	Part No.		Illumination Color Code ②		
				Black Bezel	Metallic Bezel			
Round Extended CW□L-M2 CW□L-A2   (black bezel)   (metallic bezel)	Momentary	6V AC/DC	1NO	CW1L-M2E10Q2②	CW4L-M2E10Q2②	Specify an illumination color code in place of ② in the Part No.  A: amber G: green PW: pure white R: red S: blue Y: yellow		
			1NC	CW1L-M2E01Q2②	CW4L-M2E01Q2②			
			1NO-1NC	CW1L-M2E11Q2②	CW4L-M2E11Q2②			
			2NO	CW1L-M2E20Q2②	CW4L-M2E20Q2②			
			2NC	CW1L-M2E02Q2②	CW4L-M2E02Q2②			
			2NO-2NC	CW1L-M2E22Q2②	CW4L-M2E22Q2②			
		12V AC/DC	1NO	CW1L-M2E10Q3②	CW4L-M2E10Q3②			
			1NC	CW1L-M2E01Q3②	CW4L-M2E01Q3②			
			1NO-1NC	CW1L-M2E11Q3②	CW4L-M2E11Q3②			
			2NO	CW1L-M2E20Q3②	CW4L-M2E20Q3②			
			2NC	CW1L-M2E02Q3②	CW4L-M2E02Q3②			
			2NO-2NC	CW1L-M2E22Q3②	CW4L-M2E22Q3②			
		24V AC/DC	1NO	CW1L-M2E10Q4②	CW4L-M2E10Q4②			
			1NC	CW1L-M2E01Q4②	CW4L-M2E01Q4②			
			1NO-1NC	CW1L-M2E11Q4②	CW4L-M2E11Q4②			
			2NO	CW1L-M2E20Q4②	CW4L-M2E20Q4②			
			2NC	CW1L-M2E02Q4②	CW4L-M2E02Q4②			
			2NO-2NC	CW1L-M2E22Q4②	CW4L-M2E22Q4②			
		100/120V AC	1NO	CW1L-M2E10QH②	CW4L-M2E10QH②			
			1NC	CW1L-M2E01QH②	CW4L-M2E01QH②			
			1NO-1NC	CW1L-M2E11QH②	CW4L-M2E11QH②			
			2NO	CW1L-M2E20QH②	CW4L-M2E20QH②			
			2NC	CW1L-M2E02QH②	CW4L-M2E02QH②			
			2NO-2NC	CW1L-M2E22QH②	CW4L-M2E22QH②			
	200/220V AC	1NO	CW1L-M2E10QM②	CW4L-M2E10QM②				
		1NC	CW1L-M2E01QM②	CW4L-M2E01QM②				
		1NO-1NC	CW1L-M2E11QM②	CW4L-M2E11QM②				
		2NO	CW1L-M2E20QM②	CW4L-M2E20QM②				
		2NC	CW1L-M2E02QM②	CW4L-M2E02QM②				
		2NO-2NC	CW1L-M2E22QM②	CW4L-M2E22QM②				
	230/240V AC	1NO	CW1L-M2E10QM4②	CW4L-M2E10QM4②				
		1NC	CW1L-M2E01QM4②	CW4L-M2E01QM4②				
		1NO-1NC	CW1L-M2E11QM4②	CW4L-M2E11QM4②				
		2NO	CW1L-M2E20QM4②	CW4L-M2E20QM4②				
		2NC	CW1L-M2E02QM4②	CW4L-M2E02QM4②				
		2NO-2NC	CW1L-M2E22QM4②	CW4L-M2E22QM4②				
	Maintained	6V AC/DC	6V AC/DC	1NO	CW1L-A2E10Q2②		CW4L-A2E10Q2②	Specify an illumination color code in place of ② in the Part No.  A: amber G: green PW: pure white R: red S: blue Y: yellow
				1NC	CW1L-A2E01Q2②		CW4L-A2E01Q2②	
				1NO-1NC	CW1L-A2E11Q2②		CW4L-A2E11Q2②	
				2NO	CW1L-A2E20Q2②		CW4L-A2E20Q2②	
				2NC	CW1L-A2E02Q2②		CW4L-A2E02Q2②	
				2NO-2NC	CW1L-A2E22Q2②		CW4L-A2E22Q2②	
			12V AC/DC	1NO	CW1L-A2E10Q3②		CW4L-A2E10Q3②	
				1NC	CW1L-A2E01Q3②		CW4L-A2E01Q3②	
				1NO-1NC	CW1L-A2E11Q3②		CW4L-A2E11Q3②	
				2NO	CW1L-A2E20Q3②		CW4L-A2E20Q3②	
				2NC	CW1L-A2E02Q3②		CW4L-A2E02Q3②	
				2NO-2NC	CW1L-A2E22Q3②		CW4L-A2E22Q3②	
24V AC/DC			1NO	CW1L-A2E10Q4②	CW4L-A2E10Q4②			
			1NC	CW1L-A2E01Q4②	CW4L-A2E01Q4②			
			1NO-1NC	CW1L-A2E11Q4②	CW4L-A2E11Q4②			
			2NO	CW1L-A2E20Q4②	CW4L-A2E20Q4②			
			2NC	CW1L-A2E02Q4②	CW4L-A2E02Q4②			
			2NO-2NC	CW1L-A2E22Q4②	CW4L-A2E22Q4②			
100/120V AC			1NO	CW1L-A2E10QH②	CW4L-A2E10QH②			
			1NC	CW1L-A2E01QH②	CW4L-A2E01QH②			
			1NO-1NC	CW1L-A2E11QH②	CW4L-A2E11QH②			
			2NO	CW1L-A2E20QH②	CW4L-A2E20QH②			
			2NC	CW1L-A2E02QH②	CW4L-A2E02QH②			
			2NO-2NC	CW1L-A2E22QH②	CW4L-A2E22QH②			
200/220V AC		1NO	CW1L-A2E10QM②	CW4L-A2E10QM②				
		1NC	CW1L-A2E01QM②	CW4L-A2E01QM②				
		1NO-1NC	CW1L-A2E11QM②	CW4L-A2E11QM②				
		2NO	CW1L-A2E20QM②	CW4L-A2E20QM②				
		2NC	CW1L-A2E02QM②	CW4L-A2E02QM②				
		2NO-2NC	CW1L-A2E22QM②	CW4L-A2E22QM②				
230/240V AC		1NO	CW1L-A2E10QM4②	CW4L-A2E10QM4②				
		1NC	CW1L-A2E01QM4②	CW4L-A2E01QM4②				
		1NO-1NC	CW1L-A2E11QM4②	CW4L-A2E11QM4②				
		2NO	CW1L-A2E20QM4②	CW4L-A2E20QM4②				
		2NC	CW1L-A2E02QM4②	CW4L-A2E02QM4②				
		2NO-2NC	CW1L-A2E22QM4②	CW4L-A2E22QM4②				

- See B-024 for replacement LED modules.
- Marking film can be inserted to indicate legends. See B-026.
- See B-019 for dimensions.
- A dummy block is installed when one contact block is used.

APEM

Switches & Pilot Lights

Control Boxes

Emergency Stop Switches

Enabling Switches

Safety Products

Explosion Proof

Terminal Blocks

Relays & Sockets

Circuit Protectors

Power Supplies

LED Illumination

Controllers

Operator Interfaces

Sensors

AUTO-ID

Flush Silhouette

ø16

ø22

ø30

Miniature

Pilot Lights

CW

LW-F

LB

LBW

UP

Flush Bezel



## Pilot Lights

Package quantity: 1

Shape	Operating Voltage	Part No.		Illumination Color Code ②
		Black Bezel	Metallic Bezel	
Round Flush CW□P-1   (black bezel)   (metallic bezel)	6V AC/DC	CW1P-1EQ2②	CW4P-1EQ2②	A: amber G: green PW: pure white R: red S: blue Y: yellow
	12V AC/DC	CW1P-1EQ3②	CW4P-1EQ3②	
	24V AC/DC	CW1P-1EQ4②	CW4P-1EQ4②	
	100/120V AC	CW1P-1EQH②	CW4P-1EQH②	
	200/220V AC	CW1P-1EQM②	CW4P-1EQM②	
	230/240V AC	CW1P-1EQM4②	CW4P-1EQM4②	
Round Extended CW□P-2   (black bezel)   (metallic bezel)	6V AC/DC	CW1P-2EQ2②	CW4P-2EQ2②	A: amber G: green PW: pure white R: red S: blue Y: yellow
	12V AC/DC	CW1P-2EQ3②	CW4P-2EQ3②	
	24V AC/DC	CW1P-2EQ4②	CW4P-2EQ4②	
	100/120V AC	CW1P-2EQH②	CW4P-2EQH②	
	200/220V AC	CW1P-2EQM②	CW4P-2EQM②	
	230/240V AC	CW1P-2EQM4②	CW4P-2EQM4②	

- Specify an illumination color code in place of ② in the Part No.
- See **B-019** for dimensions.
- See **B-024** for replacement LED modules.
- Two dummy blocks are installed.

CW

LW-F

LB





LBW

UP

Flush Bezel

Pushbuttons

Package quantity: 1

Shape	Operation	Contact Configuration	Part No.		Button Color Code ①
			Black Bezel	Metallic Bezel	
Round Flush CW□B-M1 CW□B-A1   (black bezel)   (metallic bezel)	Momentary	1NO	CW1B-M1E10①	CW4B-M1E10①	B: black G: green R: red S: blue W: white Y: yellow
		1NC	CW1B-M1E01①	CW4B-M1E01①	
		1NO-1NC	CW1B-M1E11①	CW4B-M1E11①	
		2NO	CW1B-M1E20①	CW4B-M1E20①	
		2NC	CW1B-M1E02①	CW4B-M1E02①	
		2NO-1NC	CW1B-M1E21①	CW4B-M1E21①	
		1NO-2NC	CW1B-M1E12①	CW4B-M1E12①	
		3NO	CW1B-M1E30①	CW4B-M1E30①	
	Maintained	3NC	CW1B-M1E03①	CW4B-M1E03①	B: black G: green R: red S: blue W: white Y: yellow
		2NO-2NC	CW1B-M1E22①	CW4B-M1E22①	
		1NO	CW1B-A1E10①	CW4B-A1E10①	
		1NC	CW1B-A1E01①	CW4B-A1E01①	
		1NO-1NC	CW1B-A1E11①	CW4B-A1E11①	
		2NO	CW1B-A1E20①	CW4B-A1E20①	
Round Extended CW□B-M2 CW□B-A2   (black bezel)   (metallic bezel)	Momentary	2NO	CW1B-A1E20①	CW4B-A1E20①	B: black G: green R: red S: blue W: white Y: yellow
		2NC	CW1B-A1E02①	CW4B-A1E02①	
		2NO-1NC	CW1B-A1E21①	CW4B-A1E21①	
		1NO-2NC	CW1B-A1E12①	CW4B-A1E12①	
		3NO	CW1B-A1E30①	CW4B-A1E30①	
		3NC	CW1B-A1E03①	CW4B-A1E03①	
		2NO-2NC	CW1B-A1E22①	CW4B-A1E22①	
		Maintained	1NO	CW1B-A2E10①	
	1NC		CW1B-A2E01①	CW4B-A2E01①	
	1NO-1NC		CW1B-A2E11①	CW4B-A2E11①	
	2NO		CW1B-A2E20①	CW4B-A2E20①	
	2NC		CW1B-A2E02①	CW4B-A2E02①	
	2NO-2NC		CW1B-A2E22①	CW4B-A2E22①	

- Specify a button color code in place of ① in the Part No.
- See B-020 for dimensions.
- Two or one dummy block is installed when one or two contact blocks are used, respectively.
- Contact configurations 2NO-1NC, 1NO-2C, 3NO, and 3NC are available for momentary pushbuttons only.

APEM

Switches & Pilot Lights

Control Boxes

Emergency Stop Switches

Enabling Switches

Safety Products

Explosion Proof

Terminal Blocks

Relays & Sockets

Circuit Protectors

Power Supplies

LED Illumination

Controllers

Operator Interfaces

Sensors

AUTO-ID

Flush Silhouette

ø16

ø22

ø30

Miniature

Pilot Lights

CW

LW-F

LB

LBW

UP

Flush Bezel

## Selector Switches

Package quantity: 1

No. of Positions	Contact Configuration (Code)	Contact Block		Operator Position		L R Maintained	L R Spring return from right
		Mounting Position	Contact	L	R		
90° 2-position	1NO (10)	1	NO		●	CW□S-2E10	CW□S-21E10
		2	—	Dummy			
		3	—	Dummy			
	1NC (01)	1	—	Dummy		CW□S-2E01	CW□S-21E01
		2	—	Dummy			
		3	NC	●			
	1NO-1NC (11)	1	NO		●	CW□S-2E11	CW□S-21E11
		2	—	Dummy			
		3	NC	●			
	2NO (20)	1	NO		●	CW□S-2E20	CW□S-21E20
		2	—	Dummy			
		3	NO		●		
	2NC (02)	1	NC	●		CW□S-2E02	CW□S-21E02
		2	—	Dummy			
		3	NC	●			
	2NO-1NC (21)	1	NO		●	CW□S-2E21	CW□S-21E21
		2	NO		●		
		3	NC	●			
	1NO-2NC (12)	1	NO		●	CW□S-2E12	CW□S-21E12
		2	NC	●			
		3	NC	●			
	3NO (30)	1	NO		●	CW□S-2E30	CW□S-21E30
		2	NO		●		
		3	NO		●		
3NC (03)	1	NC	●		CW□S-2E03	CW□S-21E03	
	2	NC	●				
	3	NC	●				
2NO-2NC (22)	1	NO/NC	NO/NC	●	●	CW□S-2E22	CW□S-21E22
	2	—	Dummy				
	3	NO/NC	NO/NC	●	●		
4NO (40)	1	2NO	NO		●	CW□S-21E40	CW□S-21E40
	2	—	Dummy				
	3	2NO	NO		●		

- Specify a bezel color code in place of □ in the Part No.: 1 (black bezel), 4 (metallic bezel)
- Lever operator is also available. For dimensions, see **B-010**.
- When ordering a lever operator selector switch, designate L before E in the Part No. of knob operator selector switches.

[Example] CW1S-2E10 → CW1S-2LE10

Knob Operator      Lever Operator

Contact Block Mounting Position

Lever Operator



CW1S-\*LE (black bezel)



CW4S-\*LE (metallic bezel)

1 2 3



Package quantity: 1

No. of Positions	Contact Configuration (Code)	Contact Block		Operator Position			L C R Maintained	L C R Spring return from right	L C R Spring return from left	L C R Spring return two-way	
		Mounting Position	Contact	L	C	R					
45° 3-position	1NO-1NC (11)	1	NO	●			CW□S-3E11	CW□S-31E11	CW□S-32E11	CW□S-33E11	
		2	—	Dummy							
		3	NC	■							
	1NO-1NC (11N1)	1NO-1NC (11N1)	1	NC		■		CW□S-3E11N1	CW□S-31E11N1	CW□S-32E11N1	CW□S-33E11N1
			2	—	Dummy						
			3	NO			●				
	1NO-1NC (11N2)	1NO-1NC (11N2)	1	NO	●			CW□S-3E11N2	CW□S-31E11N2	CW□S-32E11N2	CW□S-33E11N2
			2	NC		●					
			3	—	Dummy						
	1NO-1NC (11N3)	1NO-1NC (11N3)	1	—	Dummy			CW□S-3E11N3	CW□S-31E11N3	CW□S-32E11N3	CW□S-33E11N3
			2	NC		●					
			3	NO			●				
	1NO-1NC (11N4)	1NO-1NC (11N4)	1	—	Dummy			CW□S-3E11N4	CW□S-31E11N4	CW□S-32E11N4	CW□S-33E11N4
			2	NO	●		●				
			3	NC	■						
	2NO (20)	2NO (20)	1	NO	●			CW□S-3E20	CW□S-31E20	CW□S-32E20	CW□S-33E20
			2	—	Dummy						
			3	NO			●				
	2NO (20N1)	2NO (20N1)	1	—	Dummy			CW□S-3E20N1	CW□S-31E20N1	CW□S-32E20N1	CW□S-33E20N1
			2	NO	●		●				
			3	NO			●				
	2NC (02)	2NC (02)	1	NC		■		CW□S-3E02	CW□S-31E02	CW□S-32E02	CW□S-33E02
			2	—	Dummy						
			3	NC	■						
	2NC (02N1)	2NC (02N1)	1	—	Dummy			CW□S-3E02N1	CW□S-31E02N1	CW□S-32E02N1	CW□S-33E02N1
			2	NC		●					
			3	NC	■						
	2NO-1NC (21)	2NO-1NC (21)	1	NO	●			CW□S-3E21	CW□S-31E21	CW□S-32E21	CW□S-33E21
			2	NO	●		●				
			3	NC	■						
	2NO-1NC (21N1)	2NO-1NC (21N1)	1	NO	●			CW□S-3E21N1	CW□S-31E21N1	CW□S-32E21N1	CW□S-33E21N1
			2	NC		●					
			3	NO			●				
	1NO-2NC (12)	1NO-2NC (12)	1	NO	●			CW□S-3E12	CW□S-31E12	CW□S-32E12	CW□S-33E12
			2	NC		●					
			3	NC	■						
1NO-2NC (12N1)	1NO-2NC (12N1)	1	NC		■		CW□S-3E12N1	CW□S-31E12N1	CW□S-32E12N1	CW□S-33E12N1	
		2	NO	●		●					
		3	NC	■							
3NO (30)	3NO (30)	1	NO	●			CW□S-3E30	CW□S-31E30	CW□S-32E30	CW□S-33E30	
		2	NO	●		●					
		3	NO			●					
3NC (03)	3NC (03)	1	NC		■		CW□S-3E03	CW□S-31E03	CW□S-32E03	CW□S-33E03	
		2	NC		●						
		3	NC	■							
2NO-2NC (22)	2NO-2NC (22)	1	NO/NC	NO	●		CW□S-3E22	CW□S-31E22	CW□S-32E22	CW□S-33E22	
		2	—	Dummy							
		3	NO/NC	NO	NC	●					
4NO (40)	4NO (40)	1	2NO	NO	●		CW□S-3E40	CW□S-31E40	CW□S-32E40	CW□S-33E40	
		2	—	Dummy							
		3	2NO	NO	NO	●					
2NO-2NC (22N2)	2NO-2NC (22N2)	1	2NC	NC	■		CW□S-3E22N2	CW□S-31E22N2	CW□S-32E22N2	CW□S-33E22N2	
		2	—	Dummy							
		3	2NO	NC	NC	●					

- Specify a bezel color code in place of □ in the Part No.: 1 (black bezel), 4 (metallic bezel) • For the contact block mounting position, see B-015.
- Lever operator is also available. For dimensions, see B-021.
- When ordering a lever operator selector switch, designate L before E in the Part No. of knob operator selector switches.  
[Example] CW1S-3E11 → CW1S-3LE11  
Knob Operator    Lever Operator

- APEM
- Switches & Pilot Lights
- Control Boxes
- Emergency Stop Switches
- Enabling Switches
- Safety Products
- Explosion Proof
- Terminal Blocks
- Relays & Sockets
- Circuit Protectors
- Power Supplies
- LED Illumination
- Controllers
- Operator Interfaces
- Sensors
- AUTO-ID

- Flush Silhouette
- ø16
- ø22
- ø30
- Miniature
- Pilot Lights

- CW
- LW-F
- LB
- LBW
- UP
- Flush Bezel

## Key Selector Switches

Package quantity: 1

No. of Positions	Contact Configuration (Code)	Contact Block		Operator Position		L R Maintained	L R Spring return from right
		Mounting Position	Contact	L	R		
90° 2-position	1NO (10)	1	NO		I	CW□K-2AE10	CW□K-21BE10
		2	—	Dummy			
		3	—	Dummy			
	1NC (01)	1	—	Dummy		CW□K-2AE01	CW□K-21BE01
		2	—	Dummy			
		3	NC	●			
	1NO-1NC (11)	1	NO		●	CW□K-2AE11	CW□K-21BE11
		2	—	Dummy			
		3	NC	●			
	2NO (20)	1	NO		●	CW□K-2AE20	CW□K-21BE20
		2	—	Dummy			
		3	NO		●		
	2NC (02)	1	NC	●		CW□K-2AE02	CW□K-21BE02
		2	—	Dummy			
		3	NC	●			
	2NO-1NC (21)	1	NO		●	CW□K-2AE21	CW□K-21BE21
		2	NO		●		
		3	NC	●			
	1NO-2NC (12)	1	NO		●	CW□K-2AE12	CW□K-21BE12
		2	NC	●			
		3	NC	●			
	3NO (30)	1	NO		●	CW□K-2AE30	CW□K-21BE30
		2	NO		●		
		3	NO		●		
	3NC (03)	1	NC	●		CW□K-2AE03	CW□K-21BE03
		2	NC	●			
		3	NC	●			
	2NO-2NC (22)	1	NO/NC	NO NC	●	CW□K-2AE22	CW□K-21BE22
		2	—	Dummy			
		3	NO/NC	NO NC	●		
	4NO (40)	1	2NO	NO NO	●	CW□K-2AE40	CW□K-21BE40
		2	—	Dummy			
		3	2NO	NO NO	●		

- Specify a bezel color code in place of □ in the Part No.: 1 (black bezel), 4 (metallic bezel)
- On the spring-returned types, the key can be released only from the maintained position. On the maintained types, the key can be released from every position. Key retained positions are also available. See below.
- Two keys are supplied. • Key cylinder material: Metal
- Besides the standard key (key number 0H), six other keys are also available. See below.
- For the contact block mounting position, see **B-018**. • For dimensions, see **B-022**.
- When ordering an optional key or optional key retained positions, specify designation codes as shown below:

[Example] CW1K-2AE10-1H

(blank): Standard key (0H, reversible)  
 1H to 2H: Reversible key  
 3H to 6H: Non-reversible key

Note:  
 Key number is indicated on the key cylinder.  
 Standard keys do not have a key number indication.

Key removal position code  
 2-position

- A: Removable in all positions
- B: Removable in left only
- C: Removable in right only

3-position

- A: Removable in all positions
- B: Removable in left and center
- C: Removable in right and center
- D: Removable in center only
- E: Removable in right and left
- G: Removable in left only
- H: Removable in right only

Note: Key is retained in the spring-returned position.

Package quantity: 1

No. of Positions	Contact Configuration	Contact Block		Operator Position			L C R Maintained	L C R Spring return from right	L C R Spring return from left	L C R Spring return two-way
		Mounting Position	Contact	L	C	R				
45° 3-position	1NO-1NC (11)	1	NO	●			CW□K-3AE11	CW□K-31BE11	CW□K-32CE11	CW□K-33DE11
		2	—	Dummy						
		3	NC	■						
	1NO-1NC (11N1)	1	NC	■			CW□K-3AE11N1	CW□K-31BE11N1	CW□K-32CE11N1	CW□K-33DE11N1
		2	—	Dummy						
		3	NO			●				
	1NO-1NC (11N2)	1	NO	●			CW□K-3AE11N2	CW□K-31BE11N2	CW□K-32CE11N2	CW□K-33DE11N2
		2	NC		●					
		3	—	Dummy						
	1NO-1NC (11N3)	1	—	Dummy			CW□K-3AE11N3	CW□K-31BE11N3	CW□K-32CE11N3	CW□K-33DE11N3
		2	NC		●					
		3	NO			●				
	1NO-1NC (11N4)	1	—	Dummy			CW□K-3AE11N4	CW□K-31BE11N4	CW□K-32CE11N4	CW□K-33DE11N4
		2	NO	●		●				
		3	NC	■						
	2NO (20)	1	NO	●			CW□K-3AE20	CW□K-31BE20	CW□K-32CE20	CW□K-33DE20
		2	—	Dummy						
		3	NO			●				
	2NO (20N1)	1	—	Dummy			CW□K-3AE20N1	CW□K-31BE20N1	CW□K-32CE20N1	CW□K-33DE20N1
		2	NO	●		●				
		3	NO			●				
	2NC (02)	1	NC	■			CW□K-3AE02	CW□K-31BE02	CW□K-32CE02	CW□K-33DE02
		2	—	Dummy						
		3	NC	■						
	2NC (02N1)	1	—	Dummy			CW□K-3AE02N1	CW□K-31BE02N1	CW□K-32CE02N1	CW□K-33DE02N1
		2	NC		●					
		3	NC	■						
	2NO-1NC (21)	1	NO	●			CW□K-3AE21	CW□K-31BE21	CW□K-32CE21	CW□K-33DE21
		2	NO	●		●				
		3	NC	■						
	2NO-1NC (21N1)	1	NO	●			CW□K-3AE21N1	CW□K-31BE21N1	CW□K-32CE21N1	CW□K-33DE21N1
		2	NC		●					
		3	NO			●				
	1NO-2NC (12)	1	NO	●			CW□K-3AE12	CW□K-31BE12	CW□K-32CE12	CW□K-33DE12
		2	NC		●					
		3	NC	■						
	1NO-2NC (12N1)	1	NC	■			CW□K-3AE12N1	CW□K-31BE12N1	CW□K-32CE12N1	CW□K-33DE12N1
		2	NO	●		●				
		3	NC	■						
	3NO (30)	1	NO	●			CW□K-3AE30	CW□K-31BE30	CW□K-32CE30	CW□K-33DE30
		2	NO	●		●				
		3	NO			●				
3NC (03)	1	NC	■			CW□K-3AE03	CW□K-31BE03	CW□K-32CE03	CW□K-33DE03	
	2	NC		●						
	3	NC	■							
2NO-2NC (22)	1	NO/NC	NO	●		CW□K-3AE22	CW□K-31BE22	CW□K-32CE22	CW□K-33DE22	
	2	—	Dummy							
	3	NO/NC	NC	■						●
4NO (40)	1	2NO	NO	●		CW□K-3AE40	CW□K-31BE40	CW□K-32CE40	CW□K-33DE40	
	2	—	Dummy							
	3	2NO	NO		●					●
2NO-2NC (22N2)	1	2NC	NC	■		CW□K-3AE22N2	CW□K-31BE22N2	CW□K-32CE22N2	CW□K-33DE22N2	
	2	—	Dummy							
	3	2NO	NO		●					●

- Specify a bezel color code in place of □ in the Part No.: 1 (black bezel), 4 (metallic bezel)
- On the spring-returned types, the key can be released only from the maintained position. On the maintained types, the key can be released from every position. Key retained positions are also available. See B-010.
- Two keys are supplied. • Key cylinder material: Metal
- Besides the standard key (key number 0H), six other keys are also available. See B-010.
- For the contact block mounting position, see right.
- For dimensions, see B-022.

Contact Block Mounting Position

1 2 3



- APEM
- Switches & Pilot Lights
- Control Boxes
- Emergency Stop Switches
- Enabling Switches
- Safety Products
- Explosion Proof
- Terminal Blocks
- Relays & Sockets
- Circuit Protectors
- Power Supplies
- LED Illumination
- Controllers
- Operator Interfaces
- Sensors
- AUTO-ID

Flush Silhouette

ø16

ø22

ø30

Miniature

Pilot Lights

CW

LW-F

LB

LBW

UP

Flush Bezel

# ø22 Flush Silhouette Switches CW Series

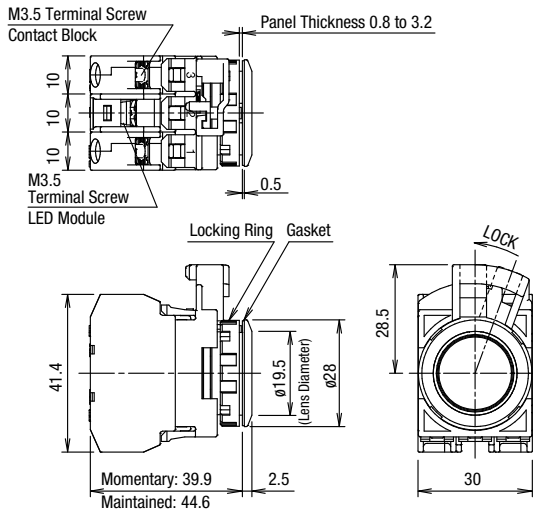
All dimensions in mm.

## Dimensions

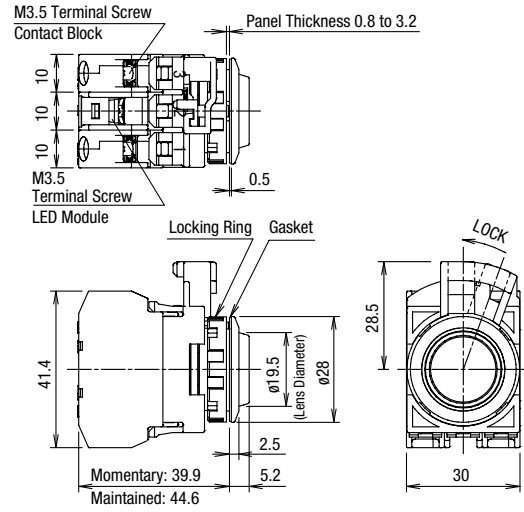
### Illuminated Pushbuttons

#### 1 to 2 contacts

##### Round Flush

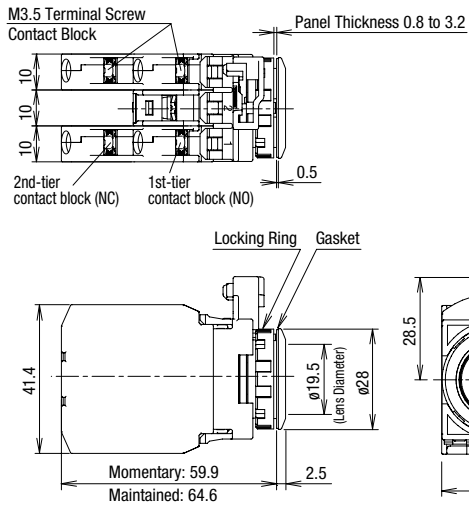


##### Round Extended

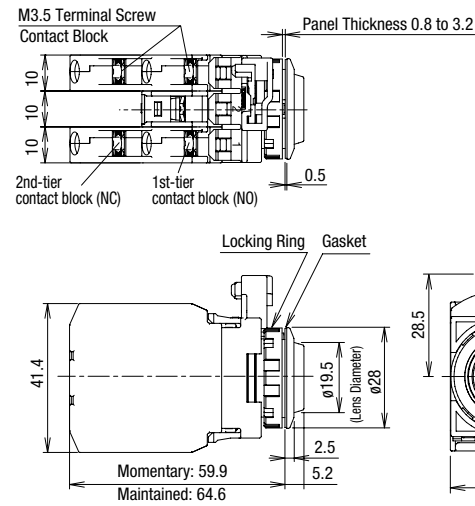


#### 4 contacts

##### Round Flush



##### Round Extended



#### Flush Silhouette

ø16

ø22

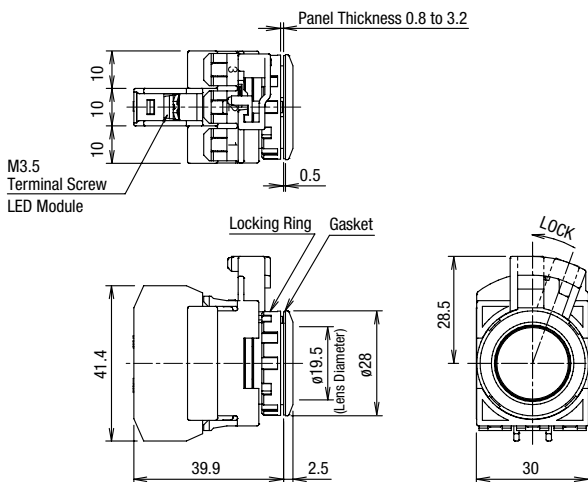
ø30

Miniature

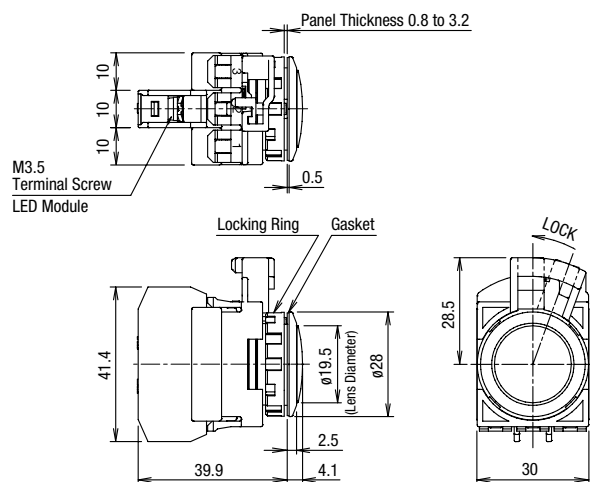
Pilot Lights

### Pilot Lights

#### Round Flush



#### Round Extended



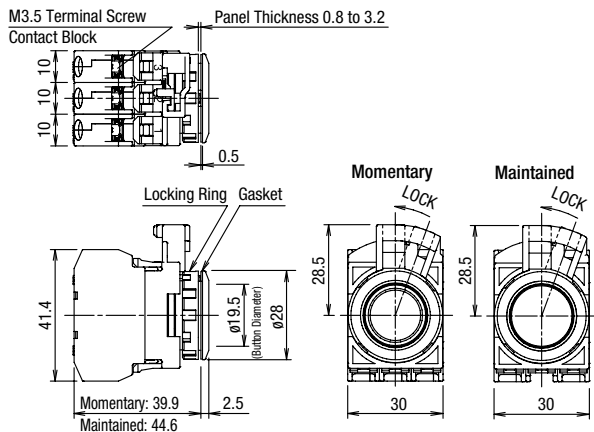
See B-008 for mounting hole layout.

All dimensions in mm.

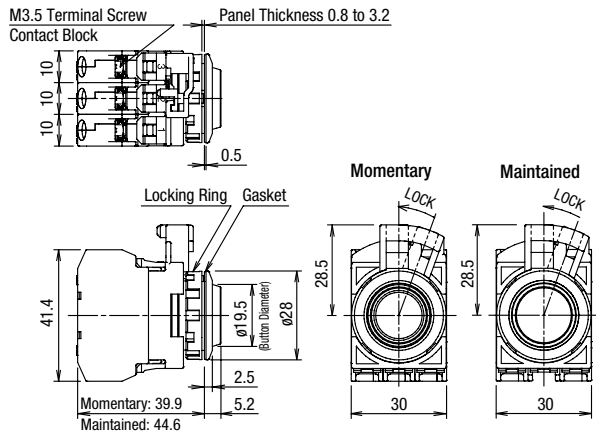
Pushbuttons

1 to 3 contacts

Round Flush

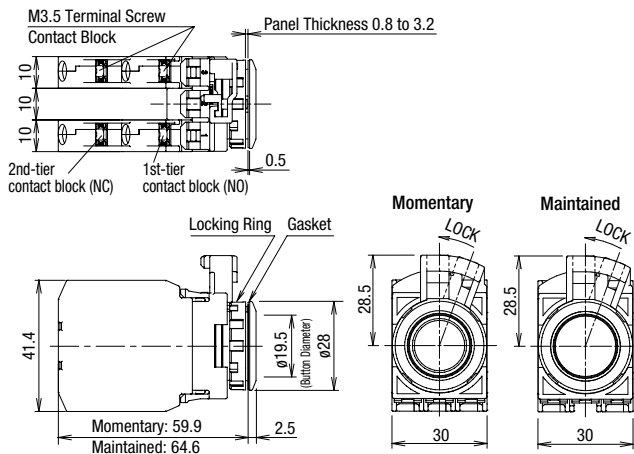


Round Extended

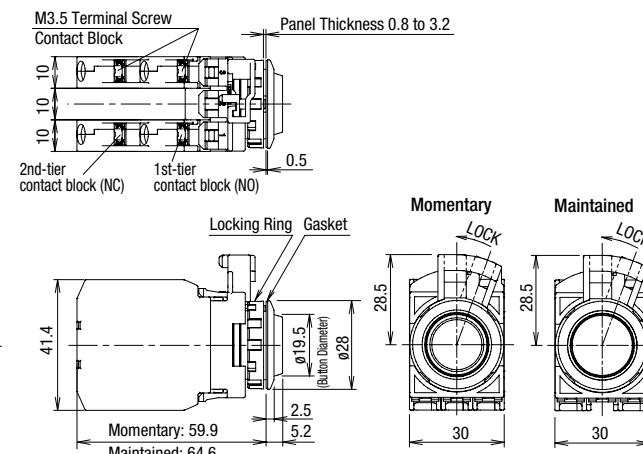


4 contacts

Round Flush



Round Extended



See B-008 for mounting hole layout.

- APEM
- Switches & Pilot Lights
- Control Boxes
- Emergency Stop Switches
- Enabling Switches
- Safety Products
- Explosion Proof
- Terminal Blocks
- Relays & Sockets
- Circuit Protectors
- Power Supplies
- LED Illumination
- Controllers
- Operator Interfaces
- Sensors
- AUTO-ID
- Flush Silhouette
- ø16
- ø22
- ø30
- Miniature
- Pilot Lights
- CW
- LW-F
- LB
- LBW
- UP
- Flush Bezel



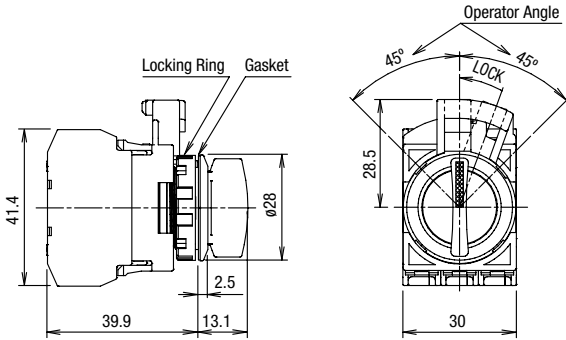
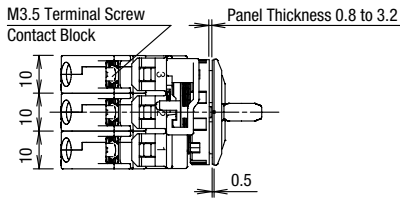
# ø22 Flush Silhouette Switches CW Series

All dimensions in mm.

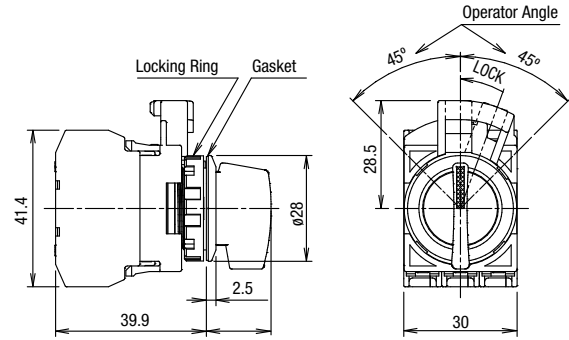
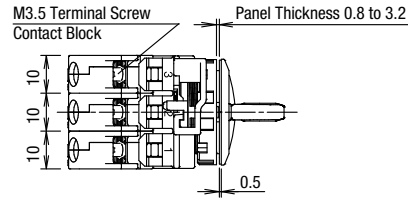
## Selector Switches

### 1 to 3 contacts

#### Knob Operator

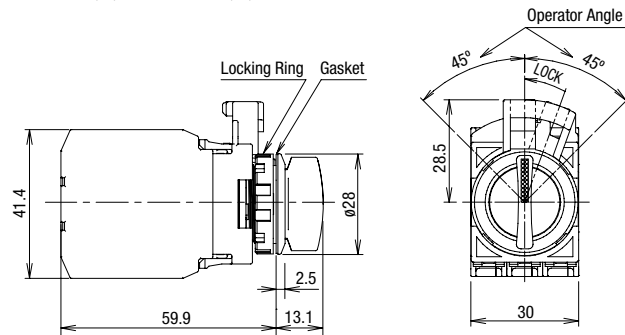
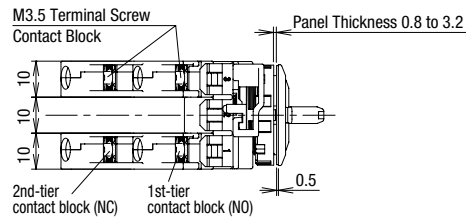


#### Lever Operator

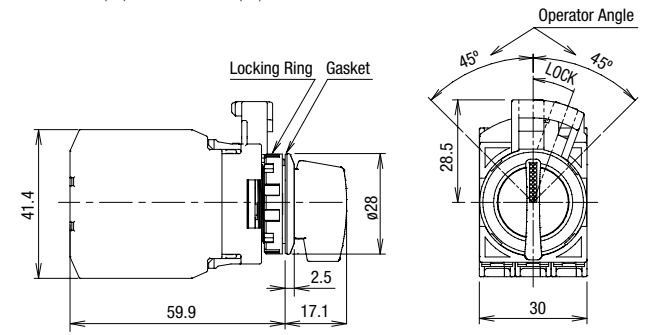
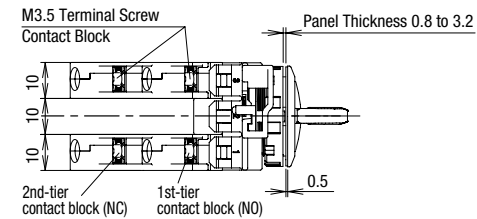


### 4 contacts

#### Knob Operator



#### Lever Operator

See **B-008** for mounting hole layout.

APEM

Switches &  
Pilot Lights

Control Boxes

Emergency  
Stop SwitchesEnabling  
Switches

Safety Products

Explosion Proof

Terminal Blocks

Relays &amp; Sockets

Circuit  
Protectors

Power Supplies

LED Illumination

Controllers

Operator  
Interfaces

Sensors

AUTO-ID

Flush Silhouette

ø16

ø22

ø30

Miniature

Pilot Lights

CW

LW-F

LB

LBW

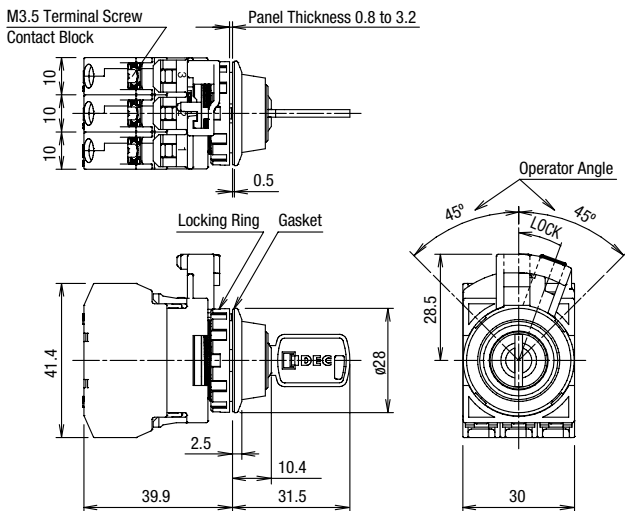
UP

Flush Bezel

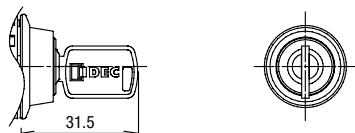
All dimensions in mm.

Key Selector Switches

1 to 3 contacts

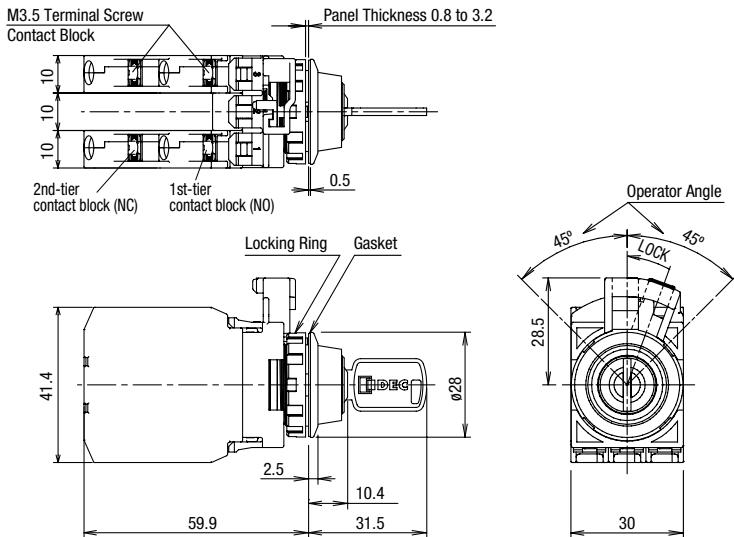


Key No: 0H to 2H (reversible key)

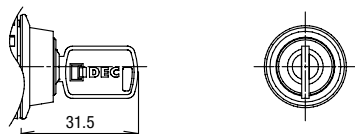


Key No: 3H to 6H (non-reversible key)

4 contacts



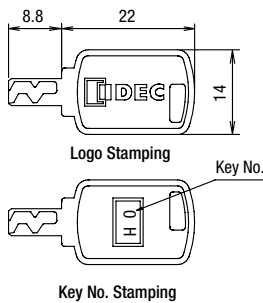
Key No: 0H to 2H (reversible key)



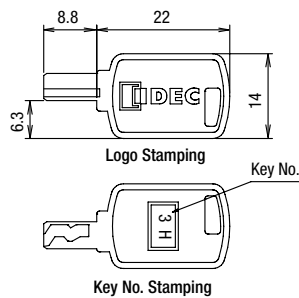
Key No: 3H to 6H (non-reversible key)

Keys

Reversible Key



Non-reversible Key




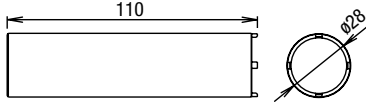

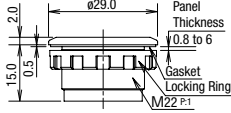

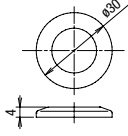

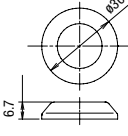
See B-008 for mounting hole layout.

- APEM
- Switches & Pilot Lights
- Control Boxes
- Emergency Stop Switches
- Enabling Switches
- Safety Products
- Explosion Proof
- Terminal Blocks
- Relays & Sockets
- Circuit Protectors
- Power Supplies
- LED Illumination
- Controllers
- Operator Interfaces
- Sensors
- AUTO-ID


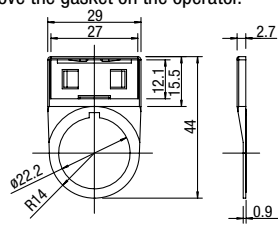
- Flush Silhouette
- ø16
- ø22
- ø30
- Miniature
- Pilot Lights

- CW
- LW-F
- LB
- LBW
- UP
- Flush Bezel

## Accessories

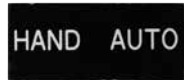
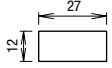
Shape	Material	Part No.	Package Quantity	Remarks
	Metal (Brass)	MW9Z-T1	1	<ul style="list-style-type: none"> <li>Used to tighten the locking ring when installing the CW series control unit in a panel cut-out.</li> <li>Weight: Approx 150 g</li> </ul> 
	Polyamide (black)	LW9Z-BP1	1	<ul style="list-style-type: none"> <li>Used to plug an unnecessary ø22.3 mm hole in the panel.</li> <li>Degree of protection: IP65</li> <li>Panel thickness: 0.8 to 6.0 mm</li> </ul> 
	Rubber (Transparent silicon rubber)	CW9Z-D11	1	<ul style="list-style-type: none"> <li>Degree of protection: IP66/67 UL Type 4X</li> <li>Panel thickness: 0.8 to 3.2 mm</li> <li>Use with round extended illuminated pushbuttons/pushbuttons.</li> </ul> 
		CW9Z-D12	1	<ul style="list-style-type: none"> <li>Degree of protection: IP66/67 UL Type 4X</li> <li>Panel thickness: 0.8 to 3.2 mm</li> <li>Use with round extended illuminated pushbuttons/pushbuttons.</li> </ul> 

## Nameplates

Description	Legend	Material	Ordering No.	Package Quantity	Dimensions (mm)
	Order marking plate (HWNP) separately.	Plastic (black)	CWAM	1	<ul style="list-style-type: none"> <li>Marking plate HWNP is necessary.</li> <li>Degree of protection: IP65</li> <li>Do not remove the gasket on the operator.</li> </ul> 

Note: Cannot be used with HW/FB series control box types.

## Making Plate

Description	Material	Part No.	Ordering No.	Package Quantity	Dimensions (mm)
 Image: HWNP-35	Aluminum (black) 1.0 mm thick	HWNP-□	HWNP-□	1	<ul style="list-style-type: none"> <li>White legend on black background.</li> <li>Engraving area: W25, H7</li> </ul>  Thickness: 1.0 mm
			HWNP-□PN10	10	


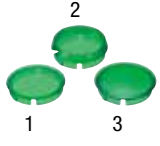
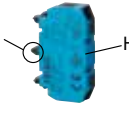
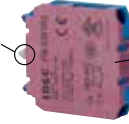



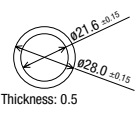

• Specify a legend code in place of □ in the Ordering No.

## Legends

Code	Legend	Code	Legend
0	(blank)	4	STOP
1	ON	31	OFF-ON
2	OFF	35	HAND-AUTO
3	START	53	HAND-OFF-AUTO


### Maintenance Parts

Used for replacement only. Do not use the maintenance parts to remodel or expand the CW series control units.

Shape	Material	Part No.	Ordering No.	Package Quantity	Remarks	
Button 1 2 	1 For round flush	Polyarylate ø19.5 H3.5	CW9Z-B11①	CW9Z-B11①PN05	5	<ul style="list-style-type: none"> <li>For maintained pushbuttons.</li> <li>Specify a button color code in place of ① in the Part No. B (black), G (green), R (red), S (blue), W (white), Y (yellow)</li> </ul>
	2 For round extended	Polyarylate ø19.5 H6.2	CW9Z-B12①	CW9Z-B12①PN05	5	
Lens 2 	1 Round Flush	Polyarylate	CW9Z-L11②-K	CW9Z-L11②-KPN05	5	Color code ②: A (amber), C (clear), G (green), R (red), S (blue), Y (yellow) Use a clear (C) lens for pure white (PW) illumination. 1: For illuminated pushbutton, pilot light 2: For illuminated pushbutton 3: For pilot light
	2 Round Extended	Polyarylate	CW9Z-L12②-K	CW9Z-L12②-KPN05	5	
	3 Round Extended	Polyarylate	CW9Z-L15②-K	CW9Z-L15②-KPN05	5	
Single Contact Block 	1NO		YW-E10R	YW-E10R	1	Push rod color: black Housing color: blue and black Terminal No.: 3-4
	1NC		YW-E01	YW-E01	1	Push rod color: red Housing color: reddish purple Terminal No.: 1-2
Double Contact Block   (photo: YW-EW1R1)	2NO		YW-EW2R0	YW-EW2R0	1	Push rod color: black Housing color: blue and black Terminal No. 1st tier: 13-14 2nd tier: 23-24
	2NC		YW-EW02	YW-EW02	1	Push rod color: red Housing color: reddish purple Terminal No. 1st tier: 11-12 2nd tier: 21-22
	1NO, 1NC		YW-EW1R1	YW-EW1R1	1	Push rod color: gray Housing color: reddish purple/blue Terminal No. 1st tier: 13-14 2nd tier: 21-22
Dummy Block 	Polyamide (black)		CW-DB	CW-DBPN05	5	
Locking Ring 	Polyamide (black)		CW9Z-LN	CW9Z-LNPN05	5	
Gasket 	Nitrile rubber		CW9Z-WM	CW9Z-WMPN10	10	Waterproof gasket between CW control unit bezel and the mounting panel. 
Spare Key 	Zinc (nickel-plated)	LA9Z-SK-0H	LA9Z-SK-0HPN02	2	Specify a key No. in place of □. 0H: Standard key (reversible) 1H to 2H: Reversible key 3H to 6H: Non-reversible key For dimensions, see B-022.	
		LA9Z-SK-□	LA9Z-SK-□PN02			

### LED Module

Package quantity: 1

Shape	Operating Voltage Range	Current Draw	Part No.	Illumination Color Code ②
	6V AC/DC ±10%	15 mA	CW-EAQ2②	Specify an illumination color code in place of ② in the Part No. A: amber G: green PW: pure white R: red S: blue
	12V AC/DC ±10%	15 mA	CW-EAQ3②	
	24V AC/DC ±10%	16.5 mA	CW-EAQ4②	
	100/120V AC ±10%	18 mA	CW-EAQH②	
	200/220V AC ±10%	20 mA	CW-EAQM②	
	230/240V AC ±10%	18 mA	CW-EAQM4②	

• Use a pure white (PW) LED module for yellow (Y) illumination.



Download catalogs and CAD from <http://apac.idec.com>

APEM

Switches & Pilot Lights

Control Boxes

Emergency Stop Switches

Enabling Switches

Safety Products

Explosion Proof

Terminal Blocks

Relays & Sockets

Circuit Protectors

Power Supplies

LED Illumination

Controllers

Operator Interfaces

Sensors

AUTO-ID

Flush Silhouette

ø16

ø22

ø30

Miniature

Pilot Lights

CW

LW-F

LB

LBW

UP

Flush Bezel

## ø22 Flush Silhouette Switches CW Series

### Safety Precautions

- Turn off the power to the CW series control units before installation, removal, wiring, and maintenance. Failure to turn power off may cause electrical shocks or fire hazard.
- For wiring, use wires of a proper size to meet the voltage and current requirements. Tighten the M3.5 terminal screws to a tightening torque of 1.0 to 1.3 N·m. Failure to tighten the terminal screws may cause overheating and fire.

### Operating Instructions

#### Notes for Operation

- When using the CW series control units in a safety-related circuit of a control system, observe safety rules and regulations of each country concerning particular applications of the actual machines and facilities. Perform risk assessment before operation to ensure safety.

#### Operating Conditions

- In corrosive gas or high-temperature, high-humidity atmosphere, contact failure due to corrosion or color change or breakage of the housing may occur.
- Main parts of the CW series control units are made of plastics. Do not scratch the surface with a sharp object or apply excessive shocks or load, otherwise the control units may be damaged. In particular, keep the button, lens, and bezel from such damage, otherwise appearance and function may be impaired.
- Do not apply detergents, cutting oils, or chemicals which may impair the function and appearance of the CW series control units.

#### Removing and Installing the Contact Unit

1. To remove the contact block from the operator, push the yellow locking lever and turn it to the left.



2. To install, align the TOP marking on the operator with the TOP marking on the contact block mounting adaptor, and turn the locking lever to the right.

#### Panel Mounting

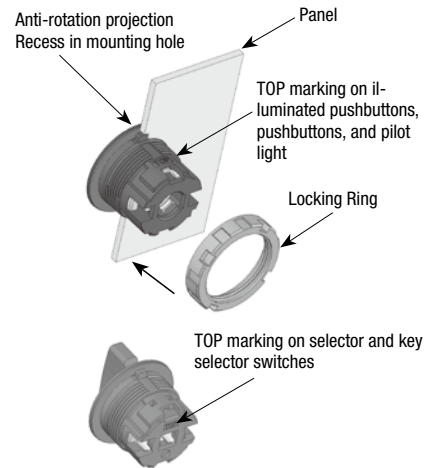
Remove the contact block from the operator. Remove the locking ring from the operator. Insert the operator into the panel cut-out from the front, tighten the locking ring from the back, then install the contact block to the operator.

#### Installation in Panel Cut-out

Remove the locking ring from the operator. With the anti-rotation projection on the operator aligned with the recess in the mounting hole, insert the operator into the mounting hole. Tighten the locking ring from the rear of the panel.

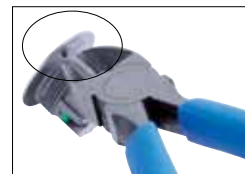
#### Note for Panel Mounting

When installing the operator in a panel cut-out, use the optional locking ring wrench (MW9Z-T1) to tighten the locking ring to a recommended tightening torque of 1.2 N·m. Do not use pliers and do not tighten excessively, otherwise the operator may be damaged.



#### Mounting Hole

1. Mounting hole dimensions are in compliance with IEC 60947-5-1.
2. If the anti-rotation projection is removed from the bezel, CW series control units can be mounted in ø22.3 mm mounting holes. To remove the anti-rotation projection, remove the gasket and use cutting pliers to break the projection.



APEM

Switches &amp; Pilot Lights

Control Boxes

Emergency Stop Switches

Enabling Switches

Safety Products

Explosion Proof

Terminal Blocks

Relays &amp; Sockets

Circuit Protectors

Power Supplies

LED Illumination

Controllers

Operator Interfaces

Sensors

AUTO-ID

Flush Silhouette

ø16

ø22

ø30

Miniature

Pilot Lights

CW

LW-F

LB

LBW

UP

Flush Bezel

APEM

Switches & Pilot Lights

Control Boxes

Emergency Stop Switches

Enabling Switches

Safety Products

Explosion Proof

Terminal Blocks

Relays & Sockets

Circuit Protectors

Power Supplies

LED Illumination

Controllers

Operator Interfaces

Sensors

AUTO-ID

Flush Silhouette

ø16

ø22

ø30

Miniature

Pilot Lights

CW

LW-F

LB

LBW

UP

Flush Bezel

## Operating Instructions

### Pushbuttons (momentary)

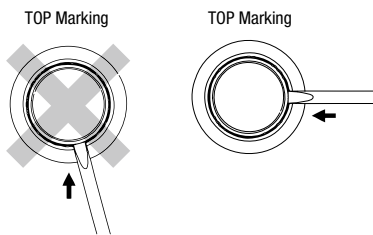
Momentary pushbutton caps cannot be removed. Do not tamper with the pushbutton caps using a screwdriver or pliers, otherwise the pushbutton caps may be damaged.

### Pushbuttons (maintained) / Illuminated Pushbuttons / Pilot Lights Removing the button/lens

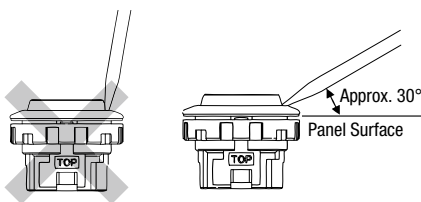
To remove the button or lens from a pushbutton, illuminated pushbutton or pilot light, insert a flat screwdriver under the flange of the lens at 90° from the TOP marking and twist the screwdriver.

Do not insert the screwdriver too deeply and do not apply excessive force to the lens, otherwise the bezel surface may be damaged.

#### [Screwdriver Insertion Direction]

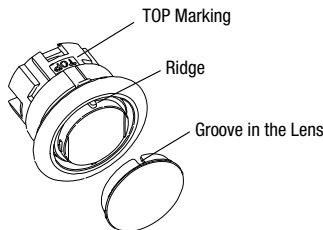


#### [Screwdriver Insertion Angle]



### Installing the Lens

Turn the groove in the lens to the TOP marking on the operator housing. With the groove aligned with the ridge, press the lens in.



### Marking

Marking plates are not available for CW series illuminated pushbuttons and pilot lights. Marking film can be inserted to indicate legends.

#### Applicable Marking Film Size

Illuminated Pushbutton (Round Flush) Pilot Light (Round Flush, Round Extended)	Illuminated Pushbutton (Round Extended)

Thickness: 0.2 mm maximum

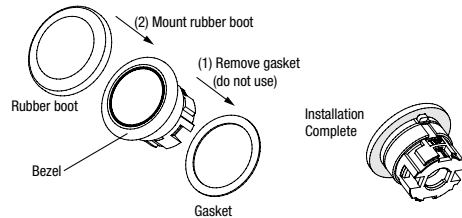
Film material: Polyester (recommended)

Note: Film is not supplied and must be prepared by the user.

### Installing the Rubber Boot

When using in places where the switches are subjected to water splash or an excessive amount of dust, make sure to use the optional rubber boot. Remove the gasket from the operator, and mount the rubber boot to cover the bezel. Make sure that the rubber boot is properly fitted, otherwise, the waterproof and dustproof characteristics are not ensured.

#### How to Install the Rubber Boot



Note: Install the rubber boot before mounting the unit to the panel.

### Maintained Switches

Do not replace the button/lens while the operator is latched. Otherwise the internal structure will be damaged.

### Selector Switches

Turn the selector operator or key to the detent positions.

### Key Selector Switches

To prevent malfunctions and damage, take the following precautions.

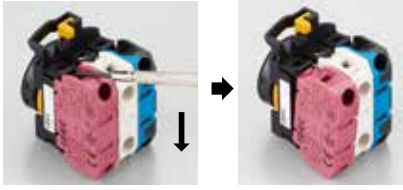
- Insert the key to the bottom before turning.
- Do not remove the key while turning.
- Besides the standard key (OH), six other keys are available. Use a key with a key selector switch of a matching number indicated on the key cylinder. Standard key does not have a key number indication.
- Keys are available in two shapes. Key numbers OH (standard), 1H, and 2H are reversible keys. Key numbers 3H, 4H, 5H, and 6H are non-reversible keys. Make sure of correct insertion direction.



## ø22 Flush Silhouette Switches CW Series

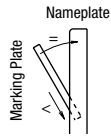
### Contact Blocks and LED Modules

To remove the contact block from the operator, insert a flat screwdriver under the latch and push down the screwdriver as shown below. Before removing the LED module, first remove all contact blocks, and remove the LED module in the same manner.

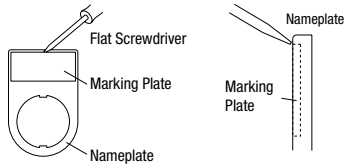


### Nameplate / Marking Plate

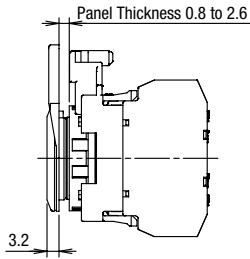
- Installing the marking plate on a nameplate



- To remove the marking plate, insert the flat screwdriver between the marking plate and nameplate.



Note: When using a nameplate, the mounting panel thickness is 2.6 mm maximum.



### Wiring

#### Applicable Wires

Stranded wire: 2.0 mm<sup>2</sup> maximum (14AWG)

Solid wire: ø1.6 mm maximum (16AWG)

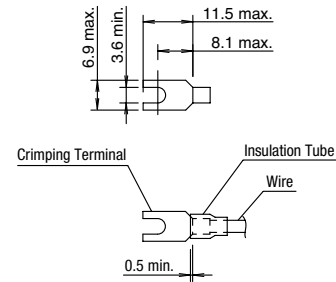
One or two wires can be connected to the terminal.

#### Applicable Crimping Terminals

[Spade terminal]

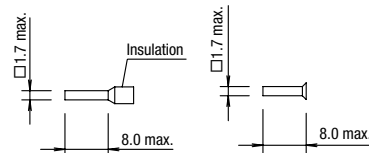
When using crimping terminals, be sure to use insulating tubes or use insulated crimping terminals.

Note: Ring terminals cannot be used.



[Ferrule]

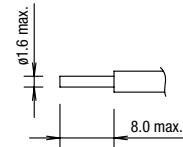
When connecting two ferrules to one terminal, use ferrules without insulation.



When using spade terminals or ferrules, insert them to the bottom.

[Solid Wire]

When connecting two wires directly, use wires of the same size.



APEM

Switches &amp; Pilot Lights

Control Boxes

Emergency Stop Switches

Enabling Switches

Safety Products

Explosion Proof

Terminal Blocks

Relays &amp; Sockets

Circuit Protectors

Power Supplies

LED Illumination

Controllers

Operator Interfaces

Sensors

AUTO-ID

Flush Silhouette

ø16

ø22

ø30

Miniature

Pilot Lights

CW

LW-F

LB

LBW

UP

Flush Bezel

# Ordering Terms and Conditions

Thank you for using IDEC Products.

By purchasing products listed in our catalogs, datasheets, and the like (hereinafter referred to as "Catalogs") you agree to be bound by these terms and conditions. Please read and agree to the terms and conditions before placing your order.

## 1. Notes on contents of Catalogs

- (1) Rated values, performance values, and specification values of IDEC products listed in this Catalog are values acquired under respective conditions in independent testing, and do not guarantee values gained in combined conditions.  
Also, durability varies depending on the usage environment and usage conditions.
- (2) Reference data and reference values listed in Catalogs are for reference purposes only, and do not guarantee that the product will always operate appropriately in that range.
- (3) The specifications / appearance and accessories of IDEC products listed in Catalogs are subject to change or termination of sales without notice, for improvement or other reasons.
- (4) The content of Catalogs is subject to change without notice.

## 2. Note on applications

- (1) If using IDEC products in combination with other products, confirm the applicable laws / regulations and standards.  
Also, confirm that IDEC products are compatible with your systems, machines, devices, and the like by using under the actual conditions. IDEC shall bear no liability whatsoever regarding the compatibility with IDEC products.
- (2) The usage examples and application examples listed in Catalogs are for reference purposes only. Therefore, when introducing a product, confirm the performance and safety of the instruments, devices, and the like before use. Furthermore, regarding these examples, IDEC does not grant license to use IDEC products to you, and IDEC offers no warranties regarding the ownership of intellectual property rights or non-infringement upon the intellectual property rights of third parties.
- (3) When using IDEC products, be cautious when implementing the following.
  - i. Use of IDEC products with sufficient allowance for rating and performance
  - ii. Safety design, including redundant design and malfunction prevention design that prevents other danger and damage even in the event that an IDEC product fails
  - iii. Wiring and installation that ensures the IDEC product used in your system, machine, device, or the like can perform and function according to its specifications
- (4) Continuing to use an IDEC product even after the performance has deteriorated can result in abnormal heat, smoke, fires, and the like due to insulation deterioration or the like. Perform periodic maintenance for IDEC products and the systems, machines, devices, and the like in which they are used.
- (5) IDEC products are developed and manufactured as general-purpose products for general industrial products. They are not intended for use in the following applications, and in the event that you use an IDEC product for these applications, unless otherwise agreed upon between you and IDEC, IDEC shall provide no guarantees whatsoever regarding IDEC products.
  - i. Use in applications that require a high degree of safety, including nuclear power control equipment, transportation equipment (railroads / airplanes / ships / vehicles / vehicle instruments, etc.), equipment for use in outer space, elevating equipment, medical instruments, safety devices, or any other equipment, instruments, or the like that could endanger life or human health
  - ii. Use in applications that require a high degree of reliability, such as provision systems for gas / waterworks / electricity, etc., systems that operate continuously for 24 hours, and settlement systems
  - iii. Use in applications where the product may be handled or used deviating from the specifications or conditions / environment listed in the Catalogs, such as equipment used outdoors or applications in environments subject to chemical pollution or electromagnetic interference  
If you would like to use IDEC products in the above applications, be sure to consult with an IDEC sales representative.

## 3. Inspections

We ask that you implement inspections for IDEC products you purchase without delay, as well as thoroughly keep in mind management/maintenance regarding handling of the product before and during the inspection.

## 4. Warranty

- (1) Warranty period  
The warranty period for IDEC products shall be one (1) year after purchase or delivery to the specified location. However, this shall not apply in cases where there is a different specification in the Catalogs or there is another agreement in place between you and IDEC.
- (2) Warranty scope  
Should a failure occur in an IDEC product during the above warranty period for reasons attributable to IDEC, then IDEC shall replace or repair that product, free of charge, at the purchase location / delivery location of the product, or an IDEC service base. However, failures caused by the following reasons shall be deemed outside the scope of this warranty.
  - i. The product was handled or used deviating from the conditions / environment listed in the Catalogs
  - ii. The failure was caused by reasons other than an IDEC product
  - iii. Modification or repair was performed by a party other than IDEC
  - iv. The failure was caused by a software program of a party other than IDEC
  - v. The product was used outside of its original purpose
  - vi. Replacement of maintenance parts, installation of accessories, or the like was not performed properly in accordance with the user's manual and Catalogs
  - vii. The failure could not have been predicted with the scientific and technical standards at the time when the product was shipped from IDEC
  - viii. The failure was due to other causes not attributable to IDEC (including cases of force majeure such as natural disasters and other disasters)Furthermore, the warranty described here refers to a warranty on the IDEC product as a unit, and damages induced by the failure of an IDEC product are excluded from this warranty.

## 5. Limitation of liability

The warranty listed in this Agreement is the full and complete warranty for IDEC products, and IDEC shall bear no liability whatsoever regarding special damages, indirect damages, incidental damages, or passive damages that occurred due to an IDEC product.

## 6. Service scope

The prices of IDEC products do not include the cost of services, such as dispatching technicians. Therefore, separate fees are required in the following cases.

- (1) Instructions for installation / adjustment and accompaniment at test operation (including creating application software and testing operation, etc.)
- (2) Maintenance inspections, adjustments, and repairs
- (3) Technical instructions and technical training
- (4) Product tests or inspections specified by you

The above content assumes transactions and usage within your region. Please consult with an IDEC sales representative regarding transactions and usage outside of your region. Also, IDEC provides no guarantees whatsoever regarding IDEC products sold outside your region.

# IDEC CORPORATION

### Head Office

6-64, Nishi-Miyahara-2-Chome, Yodogawa-ku, Osaka 532-0004, Japan

<b>USA</b>	IDEC Corporation	Tel: +1-408-747-0550	opencontact@idec.com
<b>Germany</b>	APEM GmbH	Tel: +49-40-25 30 54-0	service@eu.idec.com
<b>Singapore</b>	IDEC Izumi Asia Pte. Ltd.	Tel: +65-6746-1155	info@sg.idec.com
<b>Thailand</b>	IDEC Asia (Thailand) Co., Ltd	Tel: +66-2-392-9765	sales@th.idec.com
<b>India</b>	IDEC Controls India Private Limited	Tel: +91-80679-35328	info_india@idec.com
<b>Taiwan</b>	IDEC Taiwan Corporation	Tel: +886-2-2577-6938	service@tw.idec.com

<b>Hong Kong</b>	IDEC Izumi (H.K.) Co., Ltd.	Tel: +852-2803-8989	info@hk.idec.com
<b>China</b>	IDEC (Shanghai) Corporation	Tel: +86-21-6135-1515	idec@cn.idec.com
	Beijing Branch	Tel: +86-10-6581-6131	idec@cn.idec.com
	Guangzhou Branch	Tel: +86-20-8362-2394	idec@cn.idec.com
<b>Japan</b>	IDEC Corporation	Tel: +81-6-6398-2527	jp_marketing@idec.com

 [www.idec.com](http://www.idec.com)

Specifications and other descriptions in this brochure are subject to change without notice.

