



**MICRO SWITCH**

FREEPORT, ILLINOIS, U.S.A.  
A DIVISION OF HONEYWELL

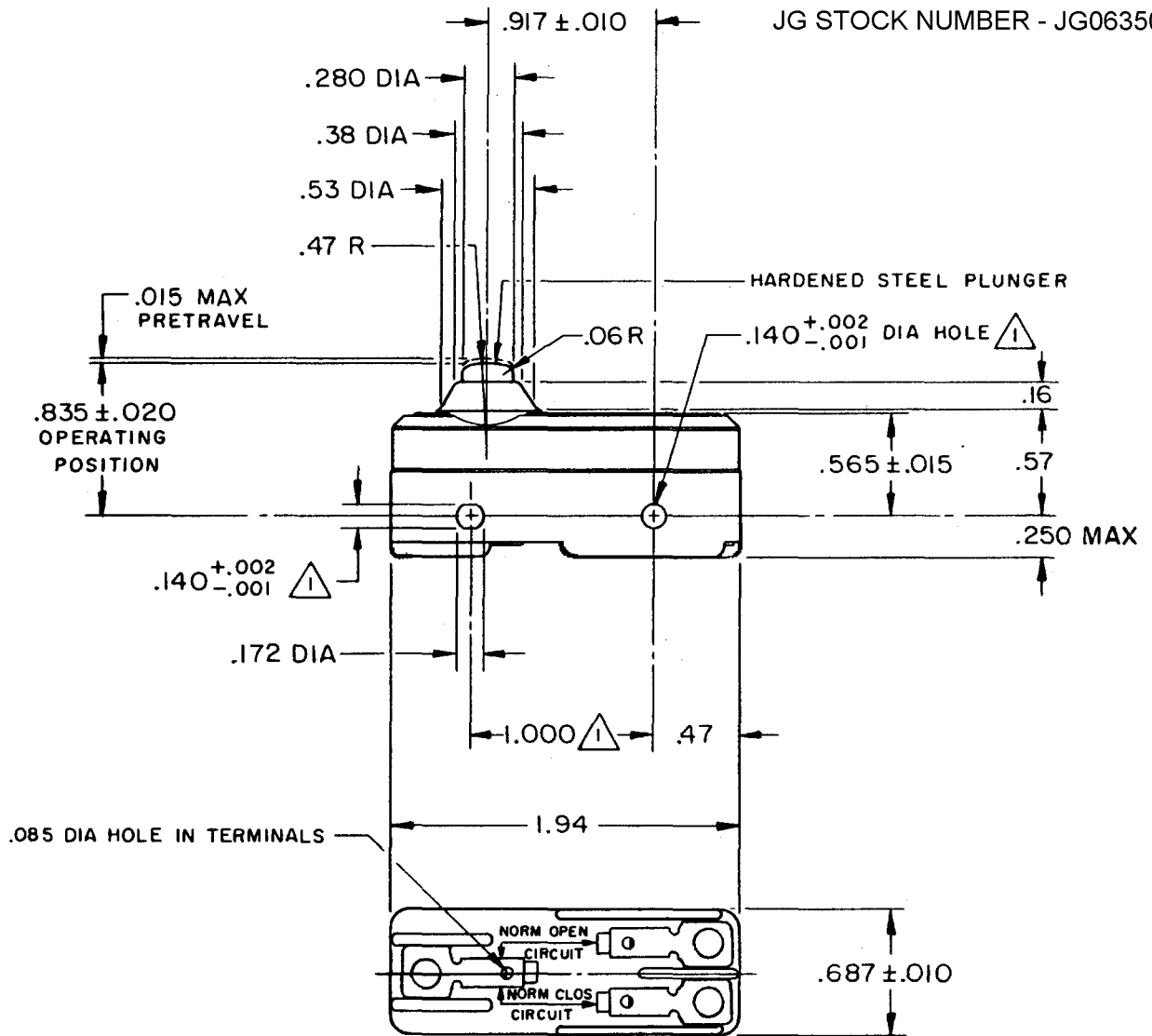
FED. MFG. CODE 91929

# SWITCH - BASIC

CATALOG LISTING

## BZ - 2RD

PRODUCT CODE - AHD0500  
JG STOCK NUMBER - JG06350



**NOTE**  
 MOUNTING HOLES WILL ACCEPT PINS OR SCREWS OF .139 MAX DIA ON 1.000 ± .002 CENTERS

THIS DRAWING COVERS A PROPRIETARY ITEM AND IS THE PROPERTY OF MICRO SWITCH, A DIVISION OF MINNEAPOLIS-HONEYWELL REGULATOR CO. THIS DRAWING IS NOT TO BE COPIED OR USED WITHOUT THE APPROVAL OF MICRO SWITCH.

CHARACTERISTICS	ELECTRICAL DATA	SCALE FULL
OPERATING FORCE ----- 9 - 13 OZ	CONTACT ARRANGEMENT S P D T	DO NOT SCALE PRINT
RELEASE FORCE ----- 4 OZ MIN	UNDERWRITERS' LAB. INC. LISTED RATING 15A - 125, 250 OR 480 VAC, 2A - 600 VAC	UNLESS OTHERWISE NOTED DIMENSIONS ARE IN INCHES
DIFFERENTIAL TRAVEL ----- .0004 - .0020	-L74- 1/8HP - 125 VAC; 1/4HP - 250 VAC 1/2A - 125 VDC; 1/4A - 250 VDC	<b>TOLERANCES ARE:</b>
OVERTRAVEL ----- .060 MIN	-L288-	ONE PLACE (.0) ±.030 TWO PLACE (.00) ±.015 THREE PLACE (.000) ±.005 ANGLES ±
	-L299- 16A 250V ~ T85 5E4	WEIGHT .051 LB
	-L306-	

DRAWING NUMBER  
**BZ - 2RD**  
PAGE 1 OF 1

ISSUE  
**M**  
17

RELEASE NO.

REVISIONS

A	CO17410	BCH	9 SEP 63
B	CO31863	SRH	27 MAR 73
C	CO46304	RJH	21 NOV 79
D	CO58037	SMA	1 OCT 85
E	CO78874	DLT	17 NOV 94
F	CO93346	DLT	1 SEP 98
G	CO94212-J	JJA	4 OCT 99
H	CO014573	KRB	19 JUL 05

FORMTEK  
FO-30378

DRAWN  
GCH

CHECK  
9 SEP 63

REPLACES  
RJ

CHECK  
19 JUL 05

CHECK  
30 SEPT 63

CHECK  
DAW