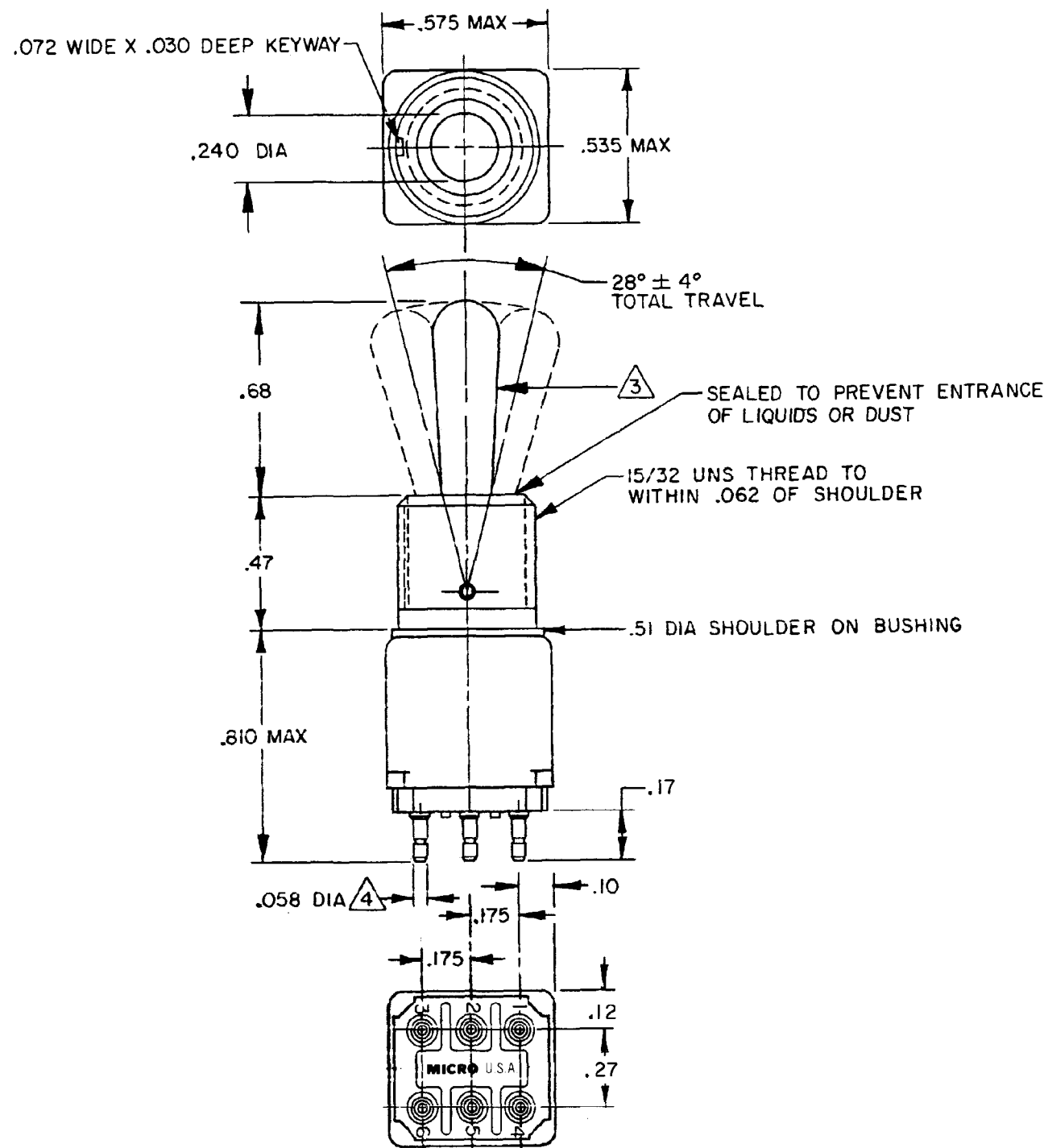
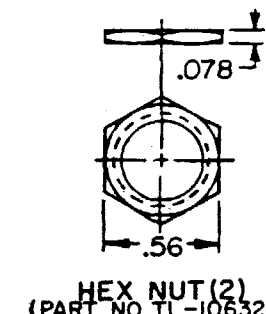
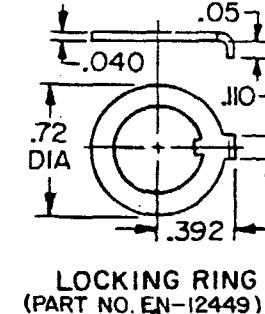
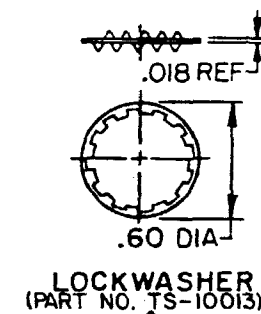


HONEYWELL
PART NUMBER
12TW2 SERIES CHART 1

REV	DOCUMENT	CHANGED BY	CHECK
11	0011406	KSR 23FEB05	AK



CATALOG LISTING	CIRCUIT MADE WITH TOGGLE LEVER IN			ELECTRICAL RATING
	KEYWAY SIDE (1-2,4-5)	CENTER (1-2,4-5)	OPPOSITE KEYWAY (2-3,5-6)	
12TW2-1	ON	OFF	ON	5A 125 VAC L117 RJ SE
12TW2-2	OFF	NONE	ON	
12TW2-3	ON	NONE	ON	
FAA-PMA 12TW2-21	NONE	OFF	ON	5A 125 VAC L117 RJ SE
12TW2-31	NONE	ON	ON	
12TW2-4	MOM OFF	NONE	ON	
12TW2-5	MOM ON	OFF	ON	
12TW2-6	MOM ON	NONE	OFF	
(C)	MOM ON	OFF	MOM ON	
12TW2-8	MOM ON	NONE	ON	
12TW2-41	NONE	MOM OFF	ON	
12TW2-51	NONE	ON	MOM ON	
12TW2-61	MOM ON	OFF	NONE	



- NOTES
- 1 FURNISHED UNASSEMBLED
 - 2 - TERMINALS ARE PLATED FOR SOLDERING
 - 3 MATTE FINISH
 - 4 PLATED TERMINALS WILL ACCEPT "AMP INC" .058 DIA PIN RECEPTACLES
 - 5 FOR MANUFACTURING DETAIL SEE THE CORRESPONDING ASSEMBLY DRAWING FOR EACH LISTING FOR FAA-PMA.

DESIGN UNITS: INCH
TOLERANCES UNLESS NOTED:

NO PLACE	X	±	
ONE PLACE	.X	±	0.030
TWO PLACE	.XX	±	0.015
THREE PLACE	.XXX	±	0.005
FOUR PLACE	.XXXX	±	
ANGLES		±	

THIRD ANGLE PROJECTION



DRAWN	JAP	26JAN84
CHECK	AK	23FEB05

THIS DRAWING COVERS A PROPRIETARY ITEM AND IS THE PROPERTY OF HONEYWELL. THIS DRAWING IS NOT TO BE COPIED OR USED WITHOUT THE PERMISSION OF HONEYWELL.

INTERPRET PER ASME Y14.5M-1994 OTHER HONEYWELL ENGINEERING STANDARDS MAY APPLY

RASTER

Honeywell

TITLE

SWITCH - TOGGLE

SIZE	TYPE	DRAWING NAME	REV
B	I	12TW2 SERIES CHART 1	11

SCALE 2:1	WEIGHT .025 LB MAX	SHEET 1 OF 1
-----------	--------------------	--------------