



MICRO SWITCH

FREEPORT, ILLINOIS, U.S.A.
A DIVISION OF HONEYWELL

FED. MFG. CODE 91929

ACTUATOR - SWITCH

CATALOG LISTING

JS-220

JS-220

M

DRAWING NUMBER

ISSUE

5

REPLACES

RELEASE NO.

CHECK

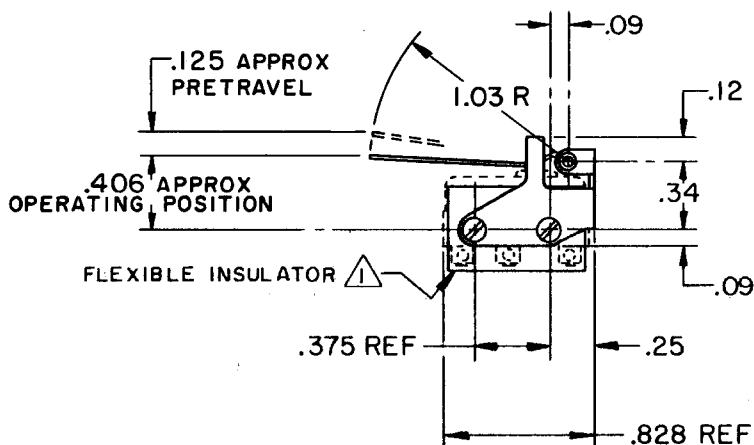
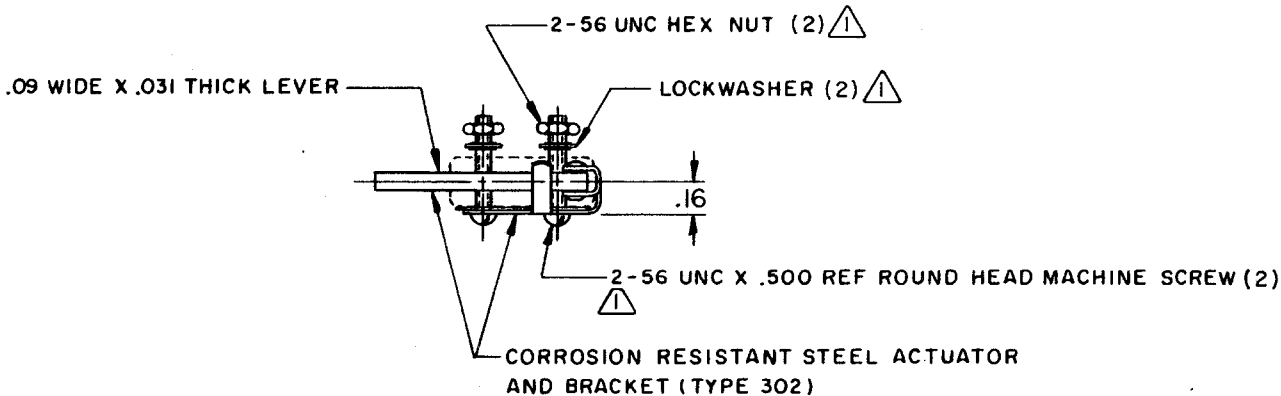
CHECK

LS D 28 JUN '66

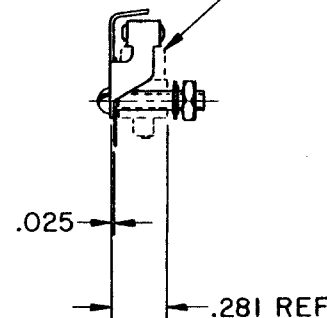
CHECK

OM W 21 JUN 66

DRAWN



DOTTED LINES INDICATE BASIC SWITCH IN PLACE



NOTE - FURNISHED UNASSEMBLED

THIS DRAWING COVERS A PROPRIETARY ITEM AND IS THE PROPERTY OF MICRO SWITCH, A DIVISION OF HONEYWELL. THIS DRAWING IS NOT TO BE COPIED OR USED WITHOUT THE APPROVAL OF MICRO SWITCH.

CHARACTERISTICS WITH ISMI BASIC SWITCH INSTALLED

OPERATING FORCE	-----	1 OZ MAX
RELEASE FORCE	-----	4 GRAM MIN
DIFFERENTIAL TRAVEL	-----	.030 MAX
OVERTRAVEL	-----	.030 MIN

ELECTRICAL DATA

CONTACT ARRANGEMENT

SCALE FULL

DO NOT SCALE PRINT

UNLESS OTHERWISE NOTED

DIMENSIONS ARE IN INCHES

TOLERANCES ARE:

ONE PLACE	(.0)	±.030
TWO PLACE	(.00)	±.015
THREE PLACE	(.000)	±.005
ANGLES		±

WEIGHT

FO-90376