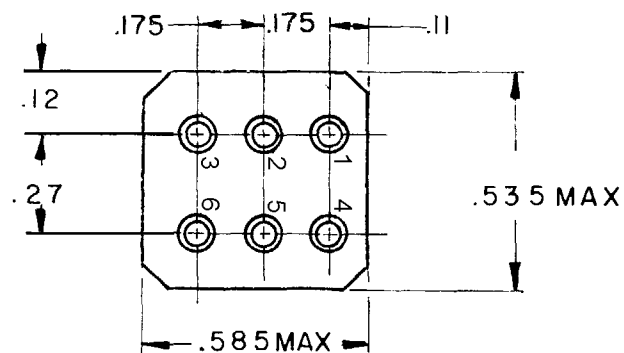
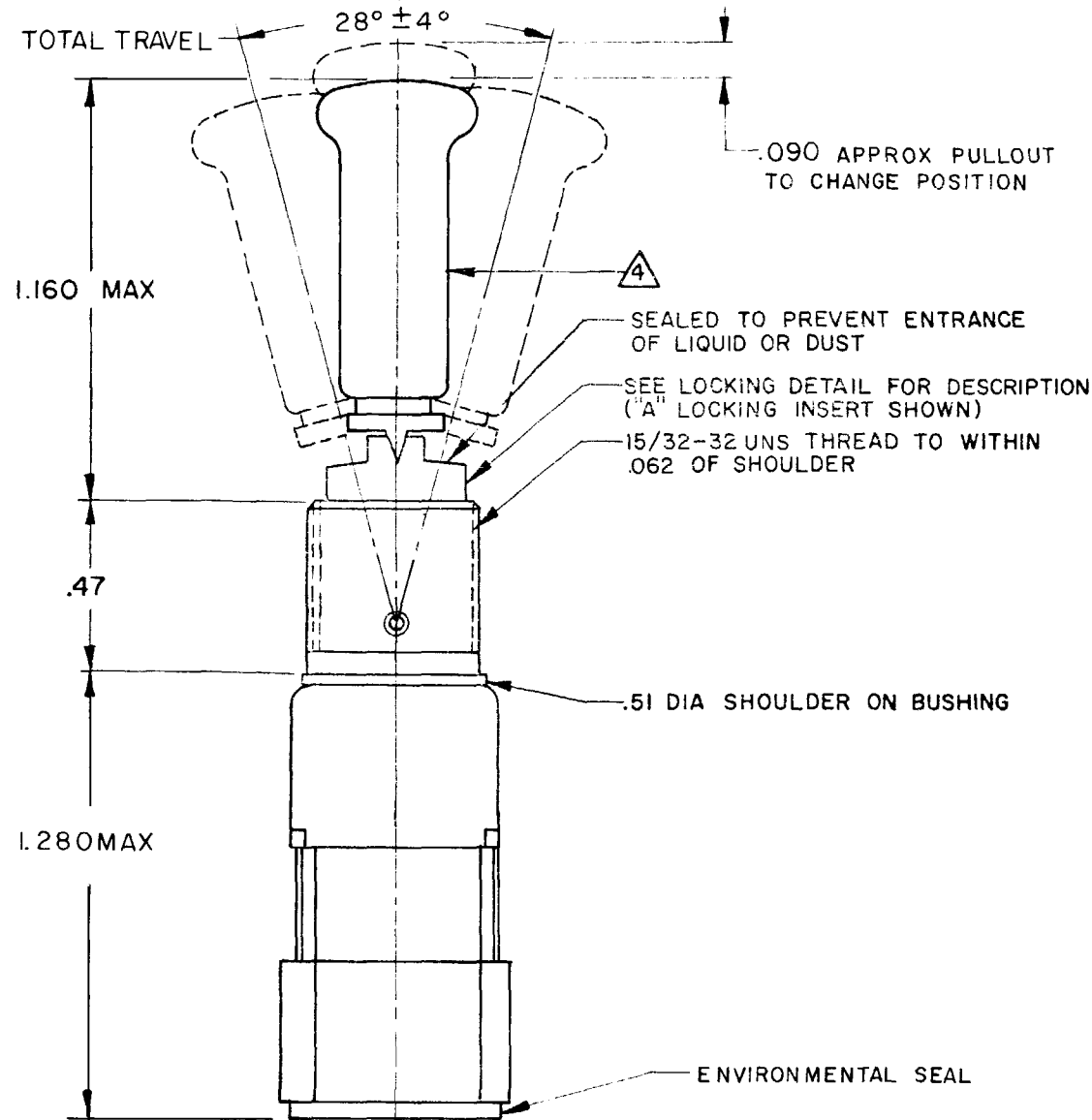
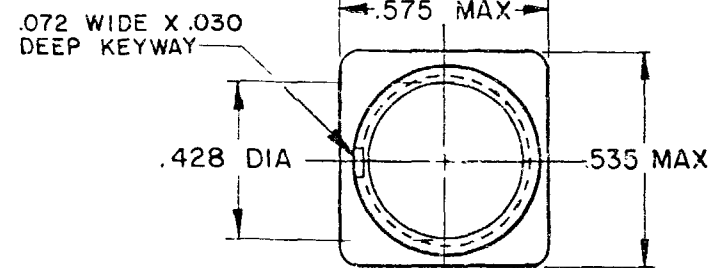


**SWITCH-TOGGLE**

CATALOG LISTING  
**112 TW1 SERIES**  
**CHART 2**

THIS DRAWING COVERS A PROPRIETARY ITEM AND IS THE PROPERTY OF MICRO SWITCH, A DIVISION OF MINNEAPOLIS-HONEYWELL REGULATOR CO. THIS DRAWING IS NOT TO BE COPIED OR USED WITHOUT THE APPROVAL OF MICRO SWITCH.



CAT. LIST.	RECOMMENDED LOCKING COMBINATIONS FOR CONFIGURATION SEE LETTERED DETAILS	CIRCUIT WITH TOGGLE IN		
		EXTREME POSITION KEYWAY SIDE	CENTER	EXTREME POSITION OPPOSITE KEYWAY
112 TW1-1	A, B, C, D, E, F, G, H, J, K, L, M, N, P	ON	OFF	ON
112 TW1-3	D, F, G	ON	NONE	ON
112 TW1-5	E, F, K, L, M, N	MOM ON	OFF	ON
112 TW1-7	E, L, N	MOM ON	OFF	MOM ON
112 TW1-8	F	MOM ON	NONE	ON
112 TW1-2	D, F, G	OFF	NONE	ON

ELECTRICAL DATA	
28VDC & 115 VAC	
5 AMP RES	
2 AMP IND	
1 AMP LAMP	

"A"  LOCKED IN THREE POSITIONS	"B"  LOCKED IN CENTER AND EXTREME POSITION (KEYWAY SIDE)	"D"  LOCKED OUT OF CENTER POSITION	"E"  LOCKED IN CENTER POSITION	"F"  LOCKED IN EXTREME POSITION (OPPOSITE KEYWAY)	"G"  LOCKED IN EXTREME POSITION (KEYWAY SIDE)
"H"  LOCKED OUT OF CENTER AND EXTREME POSITION (KEYWAY SIDE)	"J"  LOCKED OUT OF CENTER AND EXTREME POSITION (OPPOSITE KEYWAY)	"K"  LOCKED IN CENTER AND EXTREME POSITION (OPPOSITE KEYWAY)	"L"  LOCKED OUT OF EXTREME POSITION (KEYWAY SIDE)	"M"  LOCKED OUT OF AND INTO EXTREME POSITION (OPPOSITE KEYWAY)	"N"  LOCKED OUT OF EXTREME POSITION (OPPOSITE KEYWAY)
"P"  LOCKED OUT OF AND INTO EXTREME POSITION (KEYWAY SIDE)	 .47 DIA .018 REF .60 DIA LOCKWASHER (PART NO. TS-10013)		 DIMENSIONS TO FIT KEYWAY IN BUSHING .05 .110 .392 .040 .72 DIA LOCKING RING (PART NO. EN-12449)		 15/32-32 UNS THREAD .078 .56 HEX NUT (PART NO. TL-10632) (2)

NOTE-  
 1 - FURNISHED UNASSEMBLED  
 2 - TERMINATION WILL ACCEPT CRIMP CONTACT CONFORMING TO M39029/1-101  
 3 - SUFFIX MUST BE ADDED FOR DESIRED TYPE TOGGLE LOCKING  
 4 - MATTE FINISH  
 5 - SWITCH DESIGNED TO CONFORM TO MS 27721 EXCEPT TERMINATION, LENGTH, AND WEIGHT

SCALE 2 TO 1	
DO NOT SCALE PRINT	
UNLESS OTHERWISE SPECIFIED	
DIMENSIONS ARE IN INCHES	
TOLERANCES ARE:	
ONE PLACE (.0)	±.030
TWO PLACE (.00)	±.015
THREE PLACE (.000)	±.005
ANGLES	±
WEIGHT 1.0 OZ MAX	

DRAWING NUMBER 112 TW1 SERIES CHART 2  
 PAGE 1 OF 1  
 RELEASE NO. PR-4157  
 ISSUE 13  
 REVISIONS:  
 A PR-4098 112 TW1-36 BEN 17 APR 74  
 B PR-4157 D B W 16 MAY 74  
 C CO 150565 T M M 12 DEC 81  
 D CO 53417 WJM 27 JUL 83  
 E CO 156602 WJM 5 JUL 84  
 F CO 95233 J J A 6 JULY 99  
 G 202167 CSL 17 JAN 01  
 DRAWN BEN 17 APR 74  
 RASTER