

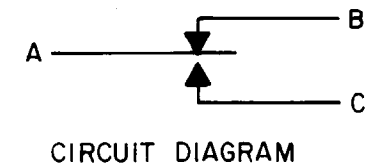
**MICRO SWITCH**

FREEPORT ILLINOIS U.S.A.  
A DIVISION OF HONEYWELL

FED. MFG. CODE 91929

**SWITCH - ENCLOSED**

CATALOG LISTING  
**21EN322-RB**



**21EN322-RB**

**M**

DRAWING NUMBER

ISSUE 10

RELEASE NO. PR-7984-T REPLACES

CHECK

16 JUN 08

CMH

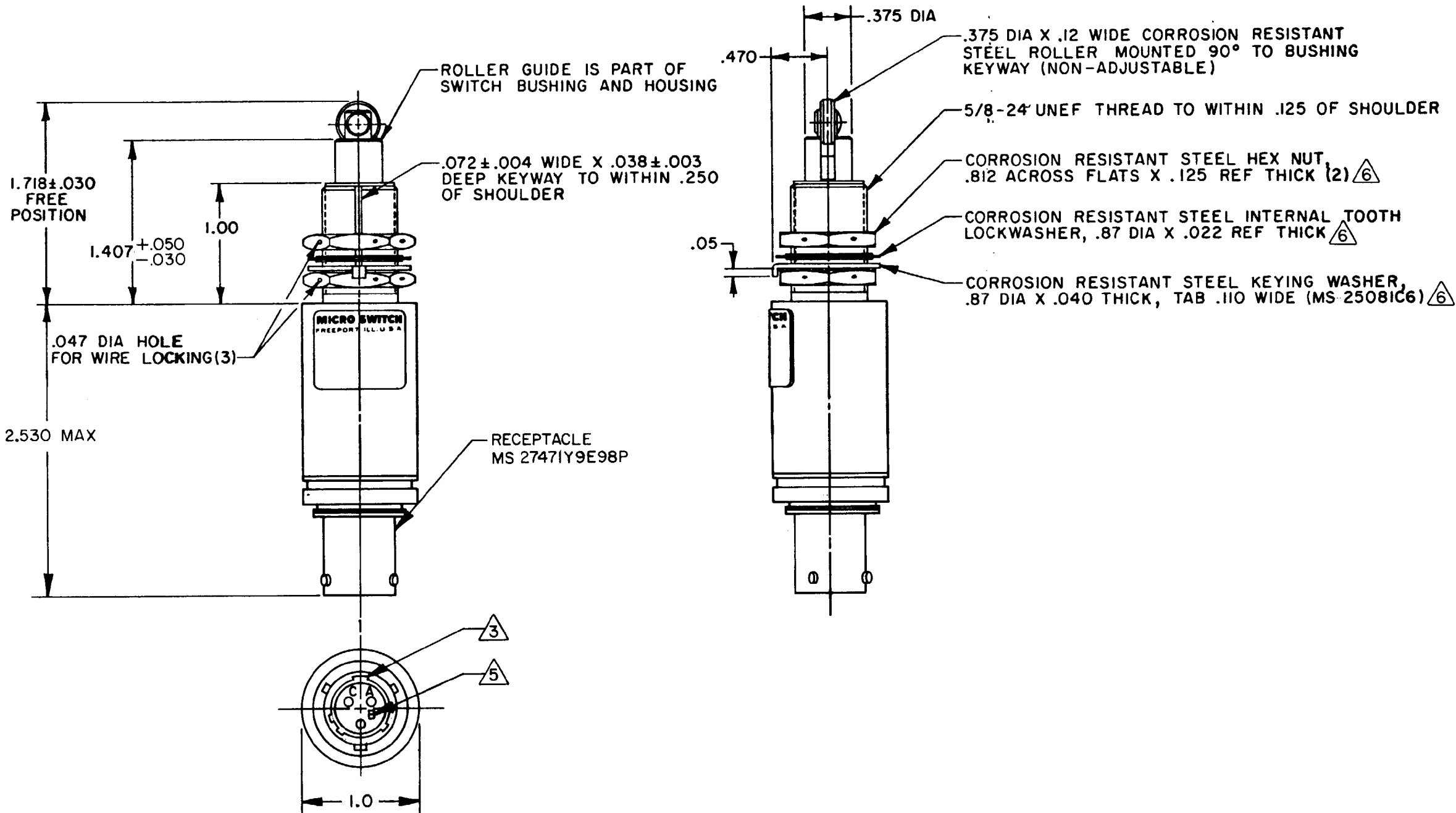
CHECK

16 JUN 08

VSY

REVISIONS

A	REINST PR-7984-T	J A P 30 JUL 79
B	CO-47873 PART 4	R J H 16 AUG 80
C	0053655	J A P 14 SEPT 83
D	CO 77228	WES 22 DEC 93
E	0006683	TCC-AP 30 AUG 04
F	0040772	VSY 16 JUN 08



THIS DRAWING COVERS A PROPRIETARY ITEM AND IS THE PROPERTY OF MICRO SWITCH, A DIVISION OF HONEYWELL. THIS DRAWING IS NOT TO BE COPIED OR USED WITHOUT THE APPROVAL OF MICRO SWITCH.

THIRD ANGLE PROJECTION

SCALE FULL

DO NOT SCALE PRINT

TOLERANCES  
APPLY TO DESIGN UNITS. CONVERSIONS ARE ONLY FOR REFERENCE UNLESS NOTED. TOLERANCES ARE 2

	DIM.	TOL.	DIM.	TOL.
	mm	mm/in	in	mm/in
NO PLACES	2	17.04		
ONE PLACE	X, XX	0.01/0.16	X, X	0.01/0.05
TWO PLACES	X, XX	0.157/0.008	X, XX	0.001/0.16
THREE PLACES	X, XX		X, XXX	0.157/0.008
ANGLES				

DESIGN UNITS  SI METRIC  US CUSTOMARY

RAW MATERIAL-COMMERCIAL STANDARD  
MICRO SWITCH STANDARDS APPLY  
DIMENSIONS ARE TO BE MET BEFORE  
PROTECTIVE COATINGS ARE APPLIED

WEIGHT 7 OZ MAX

CHARACTERISTICS	
OPERATING FORCE	6-12 LB
FULL OVERTRAVEL FORCE	30 LB MAX
RELEASE FORCE	4 LB MIN
PRETRAVEL	.040 MAX
DIFFERENTIAL TRAVEL	.010 MAX
OVERTRAVEL	.250 MIN

ELECTRICAL DATA		
CONTACT ARRANGEMENT		
S P D T		
28 VDC		
LOAD	SEA LEVEL	50,000 FT.
RES	4	4
IND	2	2
MOTOR	4	

NOTES

- 1 - CORROSION RESISTANT STEEL ENCLOSURE AND RECEPTACLE
- 2 - SWITCH SEALED PER MIL-PRF-8805 SYMBOL 4
- ⚠ 3 - RECEPTACLE POLARIZING KEY POSITION
- 4 - CIRCUIT IDENTIFICATION AND CATALOG LISTING ARE SHOWN ON NAMEPLATE
- ⚠ 5 - PIN LETTERS SHOWN FOR REFERENCE ONLY. THEY DO NOT NECESSARILY APPEAR ON RECEPTACLE
- ⚠ 6 - HARDWARE MAY BE PACKAGED UNASSEMBLED PER MIL-PRF-8805

FO-92851-A

DRAWN

J A P 30 JUL 79

CHECK

16 JUN 08

VSY

16 JUN 08

CHECK

16 JUN 08

CMH

CHECK

16 JUN 08

CMH

CHECK

16 JUN 08

CMH

CHECK

16 JUN 08

CMH

CHECK

16 JUN 08

CMH

CHECK

16 JUN 08

CMH

CHECK

16 JUN 08

CMH

CHECK

16 JUN 08

CMH

CHECK