

MICRO SWITCH
 FREEPORT ILLINOIS U.S.A.
 A DIVISION OF HONEYWELL
 FED. MFG. CODE 91880

SWITCH - TOGGLE

CATALOG LISTING
112TW1-50 SERIES
CHART 1

THIS DRAWING COVERS A PROPRIETARY ITEM AND IS THE PROPERTY OF MICRO SWITCH, A DIVISION OF HONEYWELL. THIS DRAWING IS NOT TO BE COPIED OR USED WITHOUT THE APPROVAL OF MICRO SWITCH.

ELECTRICAL DATA

28 VDC & 125 VAC
 5 AMP RES
 2 AMP IND
 1 AMP LAMP

CATALOG LISTING

AVAILABLE LOCKING COMBINATIONS FOR CONFIGURATION SEE LETTERING DETAILS

STYLE NUMBER

112 TW1-50

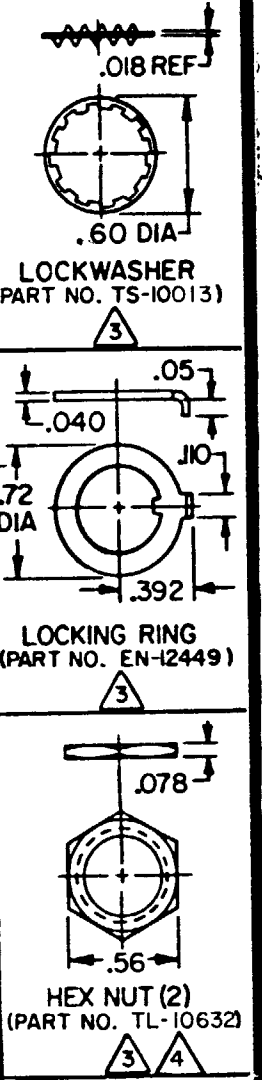
112 TW1-50

E, F, K, L, M, N

1

2

"A" LOCKED IN THREE POSITIONS	"B" LOCKED IN CENTER AND EXTREME POSITION (KEYWAY SIDE)	"D" LOCKED OUT OF CENTER POSITION	"E" LOCKED IN CENTER POSITION	"F" LOCKED IN EXTREME POSITION (OPPOSITE KEYWAY)
"G" LOCKED IN EXTREME POSITION (KEYWAY SIDE)	"H" LOCKED OUT OF CENTER AND EXTREME POSITION (KEYWAY SIDE)	"J" LOCKED OUT OF CENTER AND EXTREME POSITION (OPPOSITE KEYWAY)	"K" LOCKED IN CENTER AND EXTREME POSITION (OPPOSITE KEYWAY)	"L" LOCKED OUT OF EXTREME POSITION (KEYWAY SIDE)
"M" LOCKED OUT OF AND INTO EXTREME POSITION (OPPOSITE KEYWAY)	"N" LOCKED OUT OF EXTREME POSITION (OPPOSITE KEYWAY)	"P" LOCKED OUT OF AND INTO EXTREME POSITION (KEYWAY SIDE)		



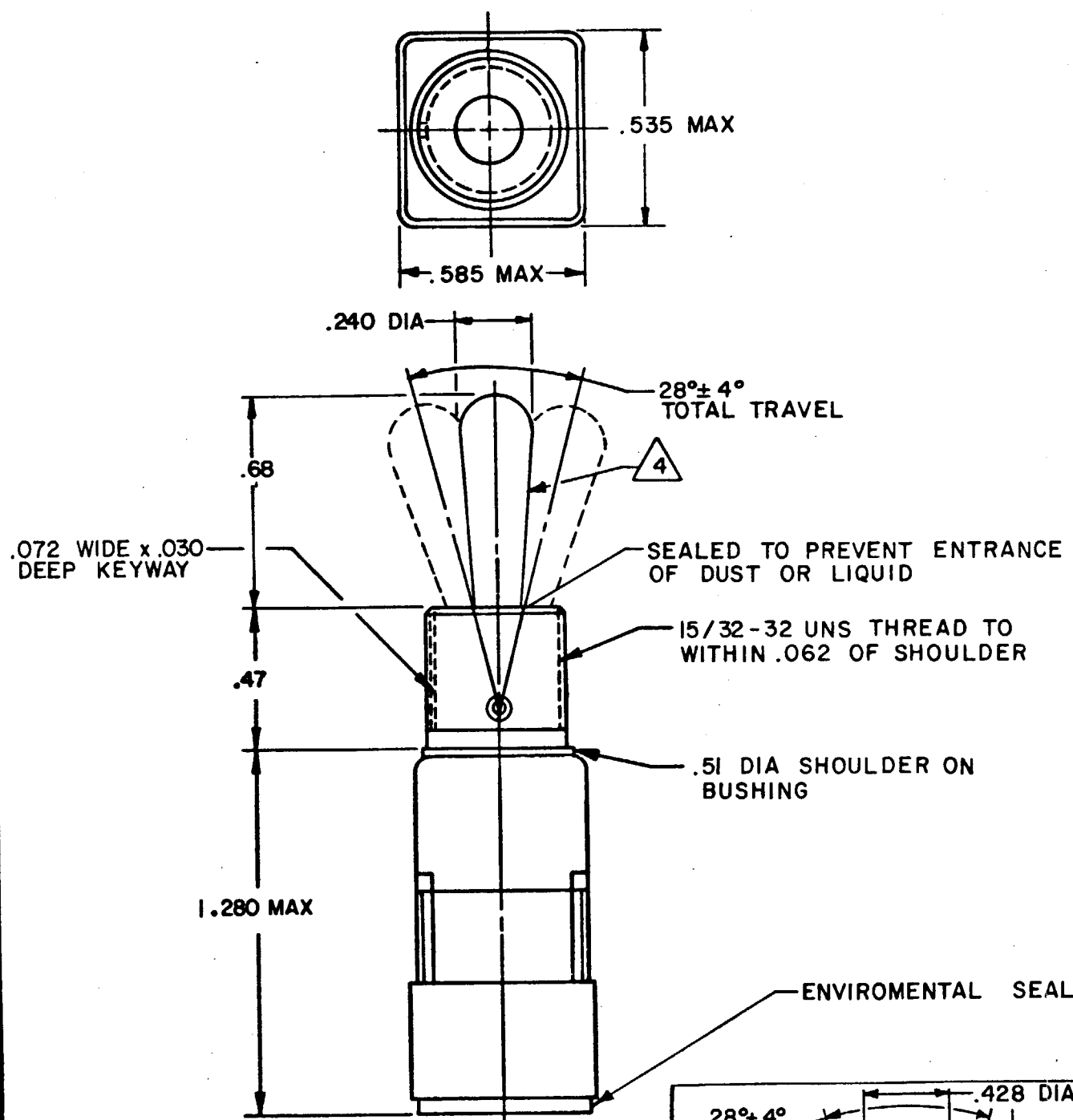
112TW1-50 SERIES CHART 1

DRAWING NUMBER X6

ISSUE 3

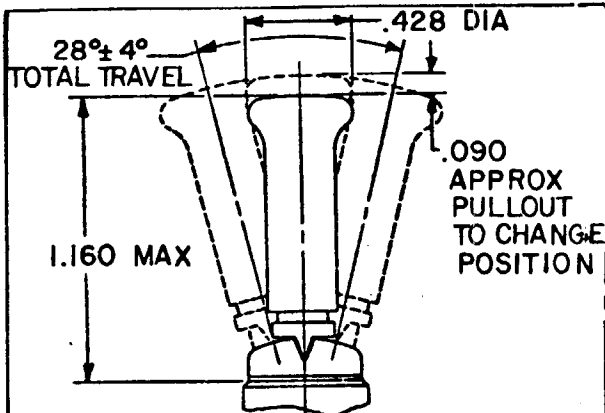
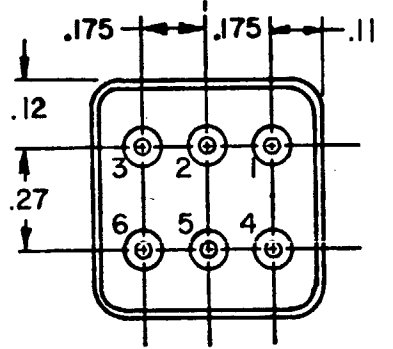
REVISIONS
 A CO 50565
 12 DEC 81
 B CO 55417
 WJM 27 JUL 83
 C CO 55602
 WJM 5 JUL 84
 D DWB 083
 CO 55312
 C ST 25 OCT 89
 RE-INS PR-21152
 DAW 24 MAY 91

REPLACES RELEASE NO. PR-8295



CIRCUIT MADE WITH TOGGLE LEVER IN

KEYWAY SIDE	CENTER	OPPOSITE KEYWAY
MOMENTARY POSITION	MAINTAINED POSITION	MAINTAINED POSITION



NOTES

- 1 - TERMINATION WILL ACCEPT CRIMP CONTACT CONFORMING TO M39029/1-101
- 2 - SWITCH DESIGNED TO CONFORM TO MS 277 021 EXCEPT TERMINATION LENGTH AND WEIGHT
- 3 - FURNISHED UNASSEMBLED
- 4 - MATTE FINISH
- 5 - SUFFIX MUST BE ADDED FOR DESIRED TYPE TOGGLE LOCKING

SCALE 2:1
 DO NOT SCALE PRINT
 UNLESS OTHERWISE NOTED
 DIMENSIONS ARE IN INCHES
 TOLERANCES ARE:
 ONE PLACE (.0) ±.030
 TWO PLACE (.00) ±.018
 THREE PLACE (.000) ±.008
 ANGLES ±

PO-22851

DRAWN KAK 3 JAN 80

CHECK DWJ 4 JAN 79

WEIGHT