

GENERAL CHARACTERISTICS

PRESSURE RANGE	-50 TO +50 mmHg
OVERPRESSURE	170 mmHg MAX
TEMPERATURE RANGES STORAGE	-45° TO +85°C
OPERATING	-45° TO +85°C
SUPPLY VOLTAGE	5 VDC
SUPPLY CURRENT	10 mA MAX
SHORT CIRCUIT LIMIT	MAY BE SHORTED INDEFINITELY
OUTPUT SOURCE CURRENT	0.5 mA MAX
OUTPUT SINK CURRENT	1.0 mA MAX
OUTPUT CAPACITANCE	0.01µF MAX
DRIVE CAPABILITY	

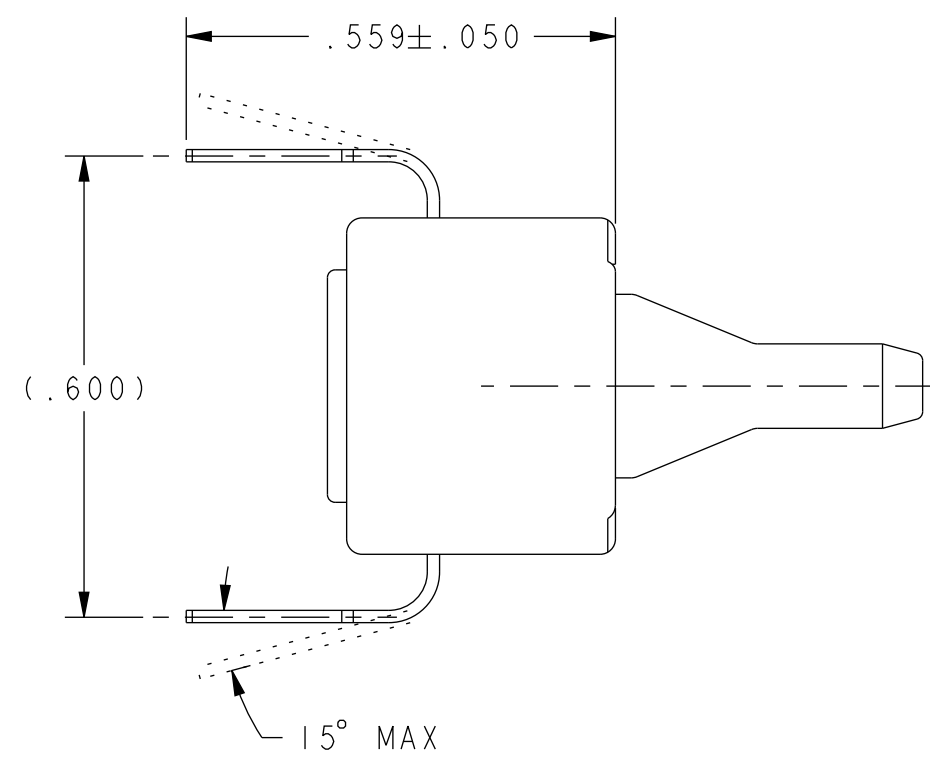
OUTPUT PERFORMANCE AT 25°C AND 5.00 VDC SUPPLY UNLESS NOTED

NULL (0 PSIG)	2.500±0.050 VDC
FULL SCALE (+50 mmHg)	4.500±0.120 VDC
FULL SCALE (-50 mmHg)	0.500 VDC TYP
SPAN	4.000 VDC TYP
SENSITIVITY	40.0 mV/mmHg TYP
LINEARITY (B.F.S.L.)	0.80% SPAN MAX
HYSTERESIS & REPEATABILITY	0.15% SPAN TYP
TEMPERATURE ERROR 1 NULL SHIFT +25° TO 0°C	±1.50% SPAN MAX
+25° TO +50°C	±1.50% SPAN MAX
SPAN SHIFT +25° TO 0°C	±1.50% SPAN MAX
+25° TO +50°C	±1.50% SPAN MAX
COMBINED NULL AND SPAN SHIFT +25° TO 0°C	±1.50% SPAN MAX
+25° TO +50°C	±1.50% SPAN MAX

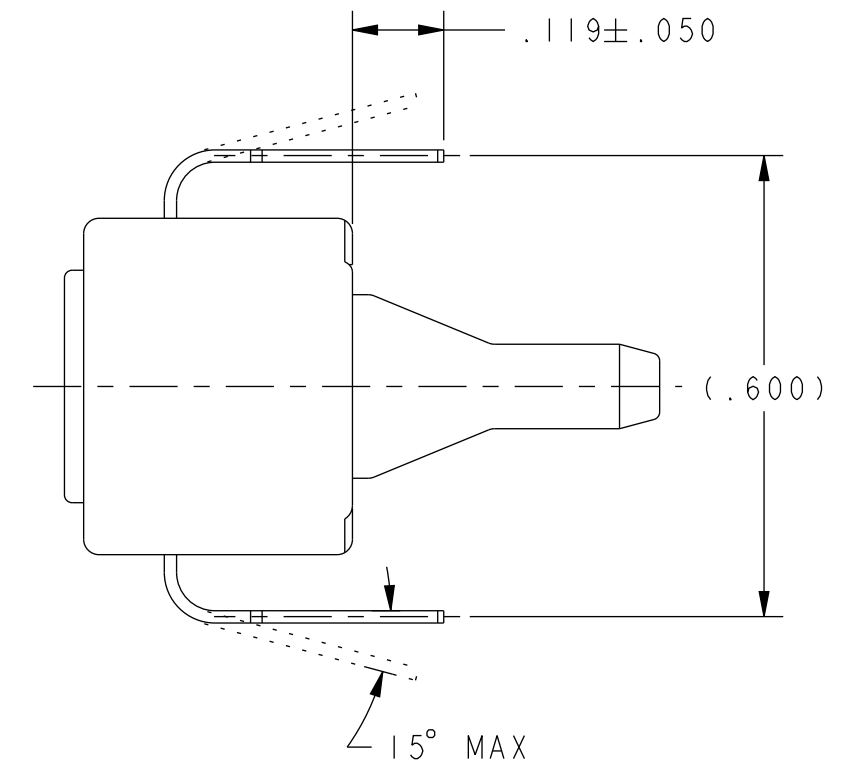
LEAD PIN OUT

Vout	GND	Vs
3	2	1

LEAD STYLE 1

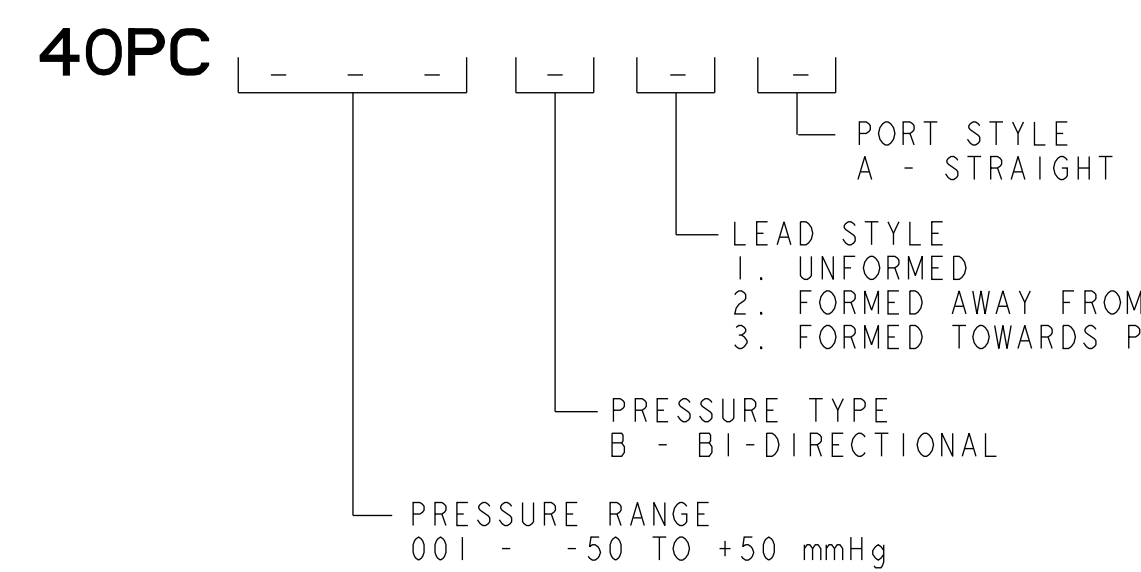


LEAD STYLE 2



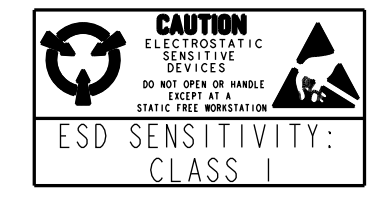
LEAD STYLE 3

- NOTES**
- ① TEMPERATURE ERROR IS THE MAXIMUM DEVIATION FROM 25° PERFORMANCE OVER THE ENTIRE TEMPERATURE RANGE SHOWN
 - 2 - 1mmHg = 0.0193 psi
 - ③ INPUT MEDIA:
P1 - DRY GASES ONLY: MEDIA MUST BE COMPATIBLE WITH EPOXY BASED ADHESIVES
P2 - MEDIA MUST BE COMPATIBLE WITH GLASS, SILICON, STAINLESS STEEL, INVAR, Sn/Ni PLATING OR Sn/Ag SOLDER
 - ④ DO NOT MAKE ELECTRICAL CONNECTIONS TO PIN 4, PIN 5 OR PIN 6



CATALOG LISTING

40PC001B1A
40PC001B2A
40PC001B3A



THIRD ANGLE PROJECTION

SCALE 4:1

DO NOT SCALE PRINT

UNLESS OTHERWISE SPECIFIED TOLERANCES ARE

ONE PLACE (.0)	±.030
TWO PLACES (.00)	±.015
THREE PLACES (.000)	±.005
ANGLES	±
WEIGHT	

THIS DRAWING COVERS A PROPRIETARY ITEM AND IS THE PROPERTY OF MICRO SWITCH, A DIVISION OF HONEYWELL. THIS DRAWING IS NOT TO BE COPIED OR USED WITHOUT THE APPROVAL OF MICRO SWITCH.

MICRO SWITCH
a Honeywell Division

PRESSURE SENSOR

CATALOG LISTING
40PC SERIES CHART 2

ANSI Y14.5M-1982 APPLIES

FED. MFG. CODE 91929

P.T.C./CAD DRAWN
 S.A.V. 9 SEPT 97 CHECK
 KED 27 OCT 97 CHECK
 DSK 21 JAN 11 CHECK
 6 APR 98 TRF
 CO93085
 18 JUN 98 DCS
 33526A
 17 AUG 98 ECO
 0073549
 20 JAN 11 SW
 40PC SERIES CHART 2
 DRAWING NUMBER
 6
 ISSUE
 1
 RELEASE NO. PR-22907
 REPLACES X101523-PC

Mouser Electronics

Authorized Distributor

Click to View Pricing, Inventory, Delivery & Lifecycle Information:

[Honeywell:](#)

[40PC001B1A](#) [40PC001B2A](#)