

# Customer Information Sheet

DRAWING No.: M50-310XX45

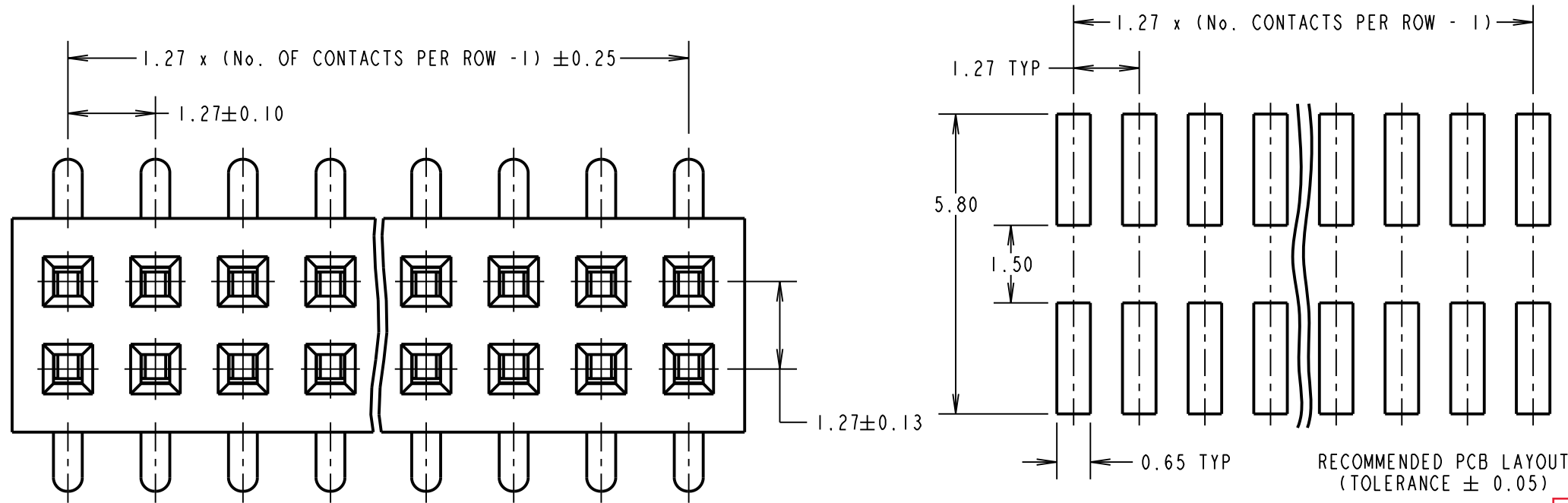
IF IN DOUBT - ASK

©

NOT TO SCALE

THIRD ANGLE PROJECTION

ALL DIMENSIONS IN mm



**SPECIFICATIONS:**  
**MATERIAL:**  
 MOULDING = LCP, UL94V-0, BLACK  
 CONTACT = PHOSPHOR BRONZE  
**FINISH:**  
 CONTACT = GOLD FLASH OVER NICKEL  
**ELECTRICAL:**  
 VOLTAGE RATING = 250V AC/DC  
 CURRENT RATING = 1A  
 VOLTAGE PROOF = 300V AC, 500V DC FOR ONE MINUTE  
 CONTACT RESISTANCE = 20mΩ MAX INITIAL,  
 30mΩ MAX AFTER CONDITIONING  
 INSULATION RESISTANCE = 1,000MΩ MIN  
**MECHANICAL:**  
 DURABILITY = 100 CYCLES  
 INSERTION FORCE = 2N MAX PER CONTACT  
 WITHDRAWAL FORCE = 0.15N MIN PER CONTACT  
**ENVIRONMENTAL:**  
 OPERATING TEMPERATURE = -40°C TO +105°C  
**PACKING:**  
 TUBE  
 FOR COMPLETE SPECIFICATION, SEE COMPONENT SPECIFICATION C029XX (LATEST ISSUE)

**Active products:**

- M50-3100345
- M50-3100445
- M50-3100545
- M50-3100645
- M50-3100745
- M50-3100845
- M50-3100945
- M50-3101045
- M50-3101245
- M50-3101445
- M50-3102045
- M50-3102545
- M50-3105045

ORDER CODE:

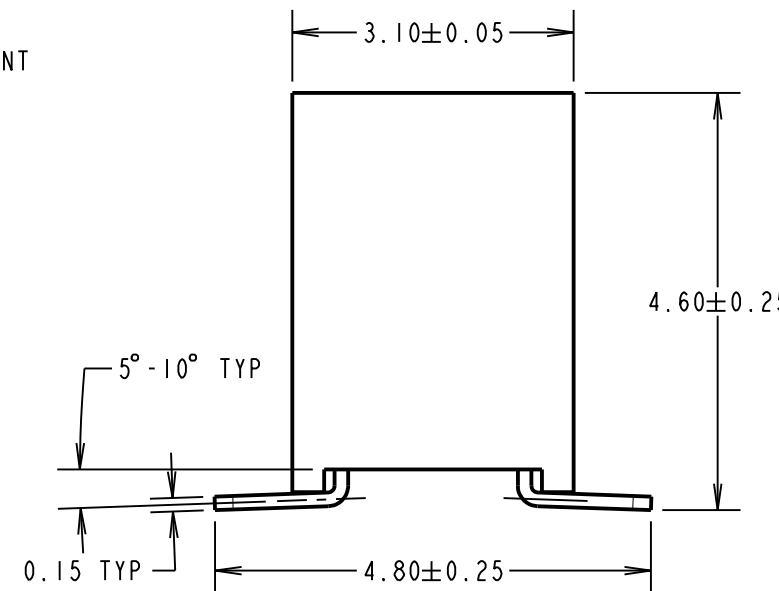
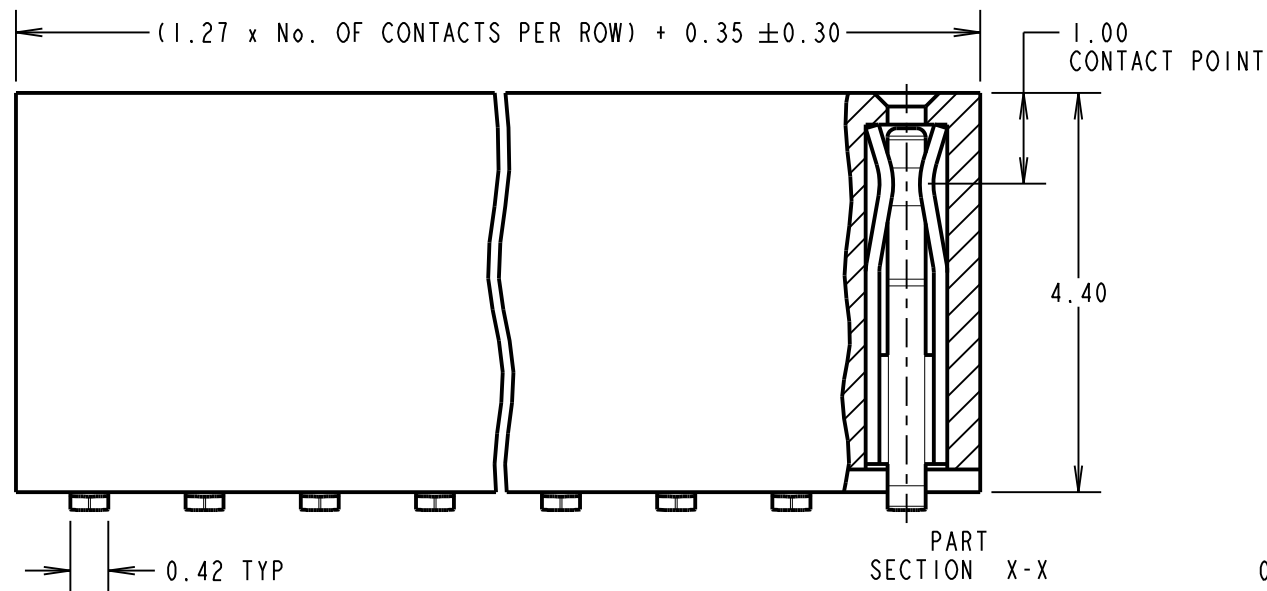
**M50-310XX45**

No. OF CONTACTS PER ROW: \_\_\_\_\_  
 03 TO 50

FINISH: \_\_\_\_\_  
 GOLD FLASH OVER NICKEL

NOTES:  
 1. ALL TOLERANCES ARE ±0.12 UNLESS OTHERWISE STATED.

**OBSOLETE**  
 All other size/finish combinations not listed above



MGP	10	28.09.21	31008
NAME	ISS.	DATE	CN/CO
APPROVED: MGP			
CHECKED: RA			
DRAWN: J.ENRIGHT			
CUSTOMER REF.:			
ASSEMBLY DRG:			

**HARWIN**  
 www.harwin.com  
 technical@harwin.com

THIS DRAWING AND ANY INFORMATION OR DESCRIPTIVE MATTER SET OUT HEREON ARE CONFIDENTIAL AND COPYRIGHT PROPERTY OF THE HARWIN GROUP AND MUST NOT BE DISCLOSED, LOANED, COPIED OR USED FOR MANUFACTURING, TENDERING OR FOR ANY OTHER PURPOSE WITHOUT THEIR WRITTEN PERMISSION.

**TOLERANCES**  
 X = ±1mm  
 X.X = ±0.50mm  
 X.XX = ±0.20mm  
 X.XXX = ±0.01mm  
 ANGLES = ±5°  
 UNLESS STATED

**MATERIAL:**  
 SEE ABOVE  
**FINISH:**  
 SEE ABOVE  
**S/AREA:**  
 mm<sup>2</sup>

**TITLE:**  
 1.27mm PITCH DIL VERTICAL SMT SOCKET ASSY  
**DRAWING NUMBER:**  
**M50-310XX45**  
 SHT 2 OF 2