

Customer Information Sheet

DRAWING No.: G125-964XXF1

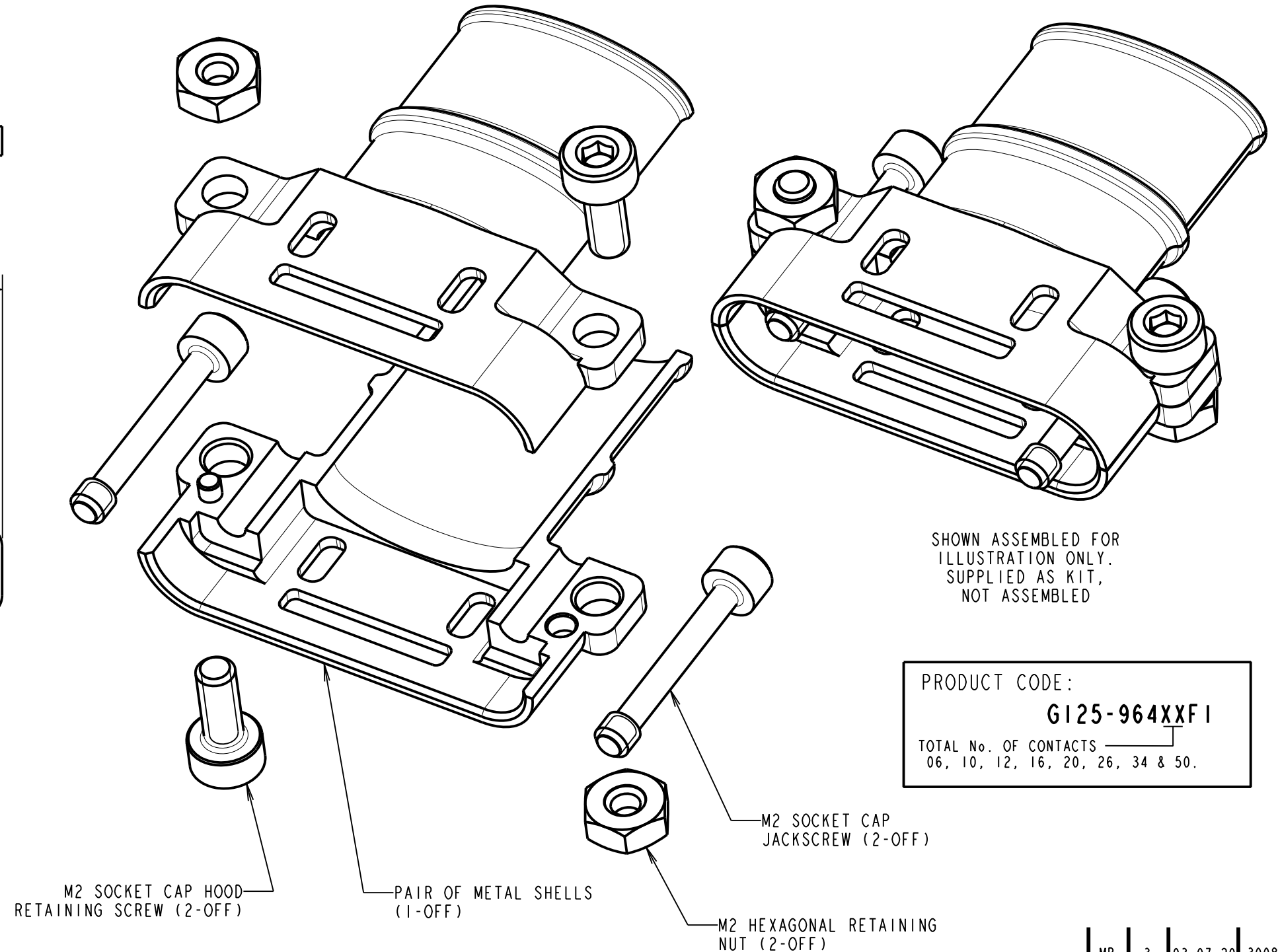
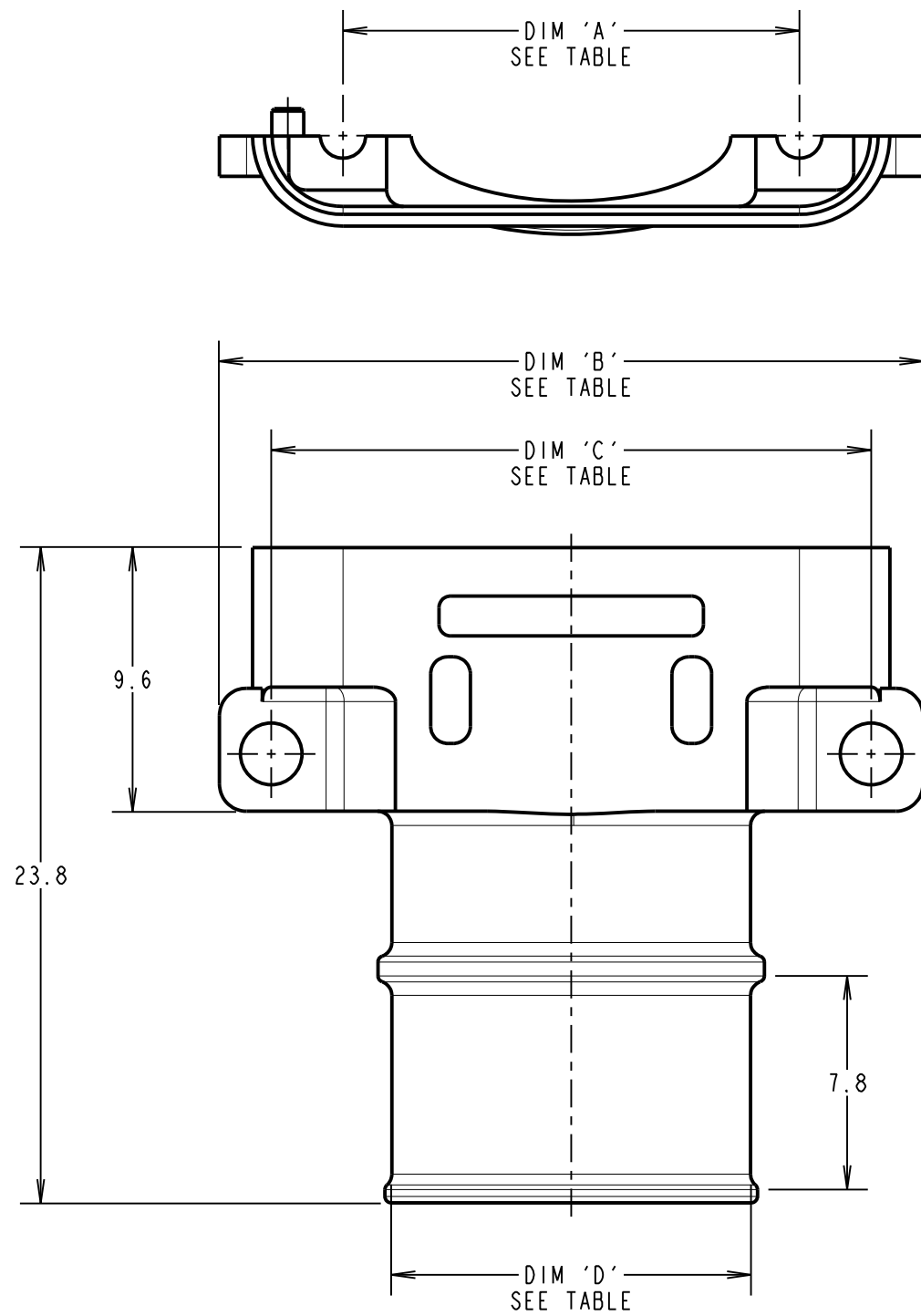
IF IN DOUBT - ASK

©

NOT TO SCALE

THIRD ANGLE PROJECTION

ALL DIMENSIONS IN mm



SHOWN ASSEMBLED FOR ILLUSTRATION ONLY. SUPPLIED AS KIT, NOT ASSEMBLED

PRODUCT CODE:
G125-964XXF1
TOTAL No. OF CONTACTS —
06, 10, 12, 16, 20, 26, 34 & 50.

PART NUMBER	DIM 'A'	DIM 'B'	DIM 'C'	DIM 'D'
G125-96406F1	10.30	19.30	15.50	6.80
G125-96410F1	12.80	21.80	18.00	9.30
G125-96412F1	14.05	23.05	19.25	10.55
G125-96416F1	16.55	25.55	21.75	13.05
G125-96420F1	19.05	28.05	24.25	15.55
G125-96426F1	22.80	31.80	28.00	19.30
G125-96434F1	27.80	36.80	33.00	24.30
G125-96450F1	37.80	46.80	43.00	34.30

SPECIFICATION:
MATERIAL:
HOOD SHELL = ALUMINIUM
SCREWS = STAINLESS STEEL
FINISH:
HOOD SHELL = NICKEL

NOTES:
1. SUPPLIED AS A KIT OF PARTS TO BE ASSEMBLED TO G125-224XX9600 SERIES OF CONNECTORS.
2. FOR BAND-IT TIE, ORDER M80-9470000 OR M80-9480000 SEPERATELY. SEE INDIVIDUAL DRAWINGS FOR DETAILS.

MR	3	03.07.20	30087
NAME	ISS.	DATE	CN/CO
APPROVED:		M. RUDKIN	
CHECKED:		R. PORTLOCK	
DRAWN:		MARK G PLESTED	
CUSTOMER REF.:			
ASSEMBLY DRG:			

HARWIN

www.harwin.com
technical@harwin.com

THIS DRAWING AND ANY INFORMATION OR DESCRIPTIVE MATTER SET OUT HEREON ARE CONFIDENTIAL AND COPYRIGHT PROPERTY OF THE HARWIN GROUP AND MUST NOT BE DISCLOSED, LOANED, COPIED OR USED FOR MANUFACTURING, TENDERING OR FOR ANY OTHER PURPOSE WITHOUT THEIR WRITTEN PERMISSION.

TOLERANCES
X. = ±1mm
X.X = ±0.50mm
X.XX = ±0.20mm
X.XXX = ±0.01mm
ANGLES = ±5°
UNLESS STATED

MATERIAL:

SEE ABOVE

FINISH:

SEE ABOVE

S/AREA:

mm²

TITLE:

G125 J-TEK SERIES
HOOD KIT

DRAWING NUMBER:

G125-964XXF1

SHT
2 OF 2