

Datamate J-Tek Connectors

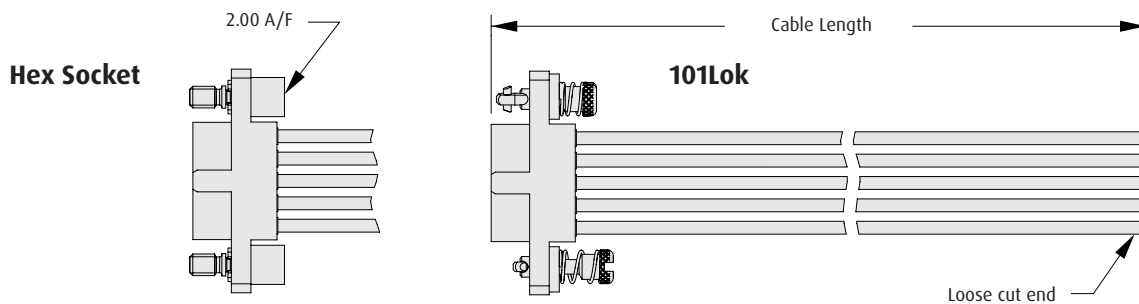
Female Cable Assemblies

- Fully assembled connectors, fixings and cable in standard configurations.
- Fitted with 24AWG wire, PTFE insulation.
- Connectors mate with Datamate J-Tek male connectors with applicable threaded jackscrews or 101Lok fixings.



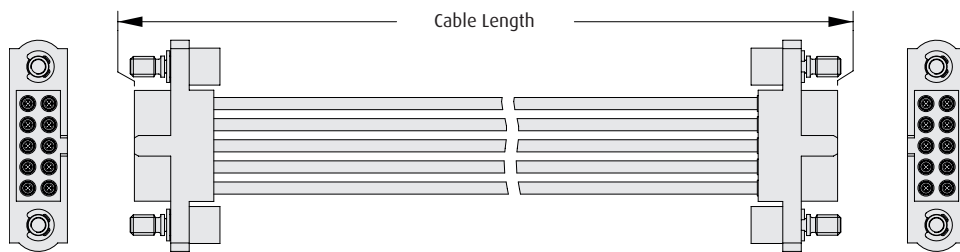
DATAMATE J-TEK

FEMALE SINGLE ENDED



- Cable insulation is multicolored - check applicable Technical Drawing for color sequence.

FEMALE - FEMALE DOUBLE ENDED



- Cable insulation is white.
- Contact 1 is attached to Contact 1, Contact 2 to Contact 2, etc.

HOW TO ORDER

M80 - FC2 XX XX XX - 0150 XX

SERIES CODE

TOTAL NO. OF CONTACTS

06, 10, 20, 26	Double Ended, Hex Socket
06, 10, 20, 26, 50	Single Ended, Hex Socket
04, 08, 12, 20	Single Ended, 101Lok

FIXING, LENGTH, TERMINATION - SECOND END

F2-0150F2	150mm, Double Ended, Hex Socket Jackscrews
F2-0150L	150mm, Single Ended, Hex Socket Jackscrews
FC-0150L	150mm, Single Ended, 101Lok

WIRE COLOR

05	White (Double Ended only)
68	Multicolor (Single Ended only)

All dimensions in mm.