

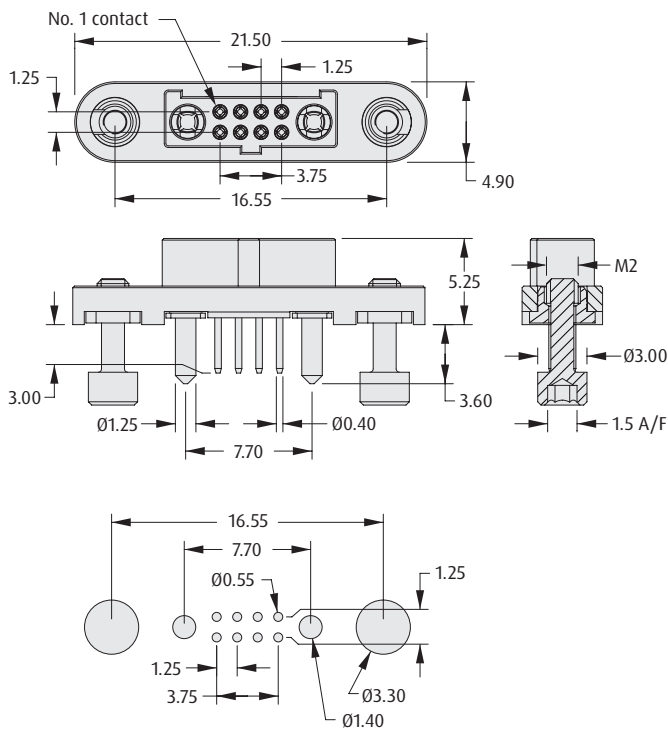
Gecko-MT Connectors

Female Vertical Throughboard

- 2A current rating for signal contacts, 10A for power contacts.
- Stainless steel floating screw fixing to mate with internal screw-loks on male connectors.
- 4-finger Beryllium Copper contact design on both signal and power contacts.
- Positive keyway polarization.



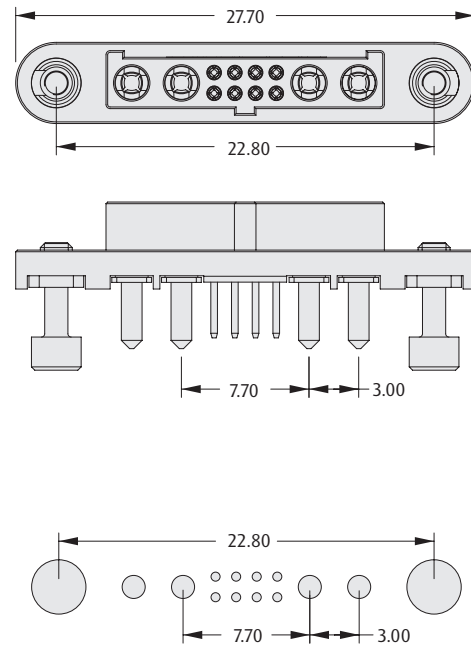
1+8+1



Recommended PC Board Pattern

2+8+2

All other dimensions as 1+8+1



Recommended PC Board Pattern

HOW TO ORDER

G125 - FV1 08 05 F1 - XABXAB P

SERIES CODE

TOTAL NO. OF SIGNAL CONTACTS

08

SCREW-LOK

F1 Floating Hex Socket

PACKAGING

P Tape & Reel strips

POWER CONTACTS

1AB1AB 1+8+1 Configuration

2AB2AB 2+8+2 Configuration