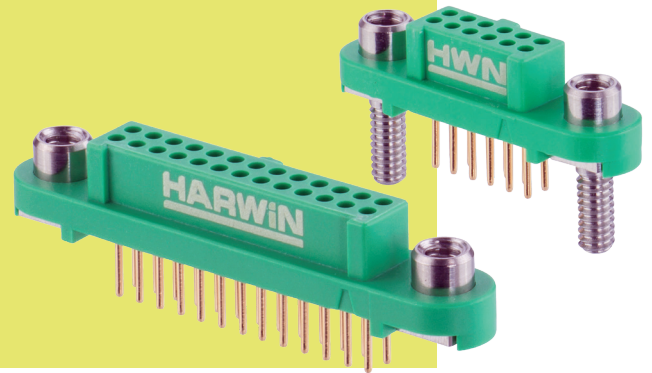


Gecko Screw-Lok Connectors

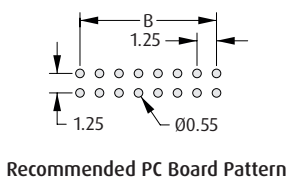
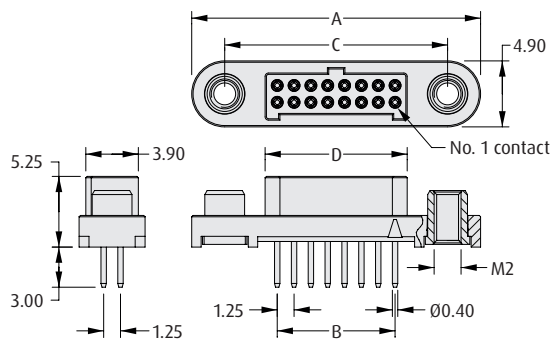
Female Throughboard - Reverse Fix

- ❖ 4-finger Beryllium Copper contact.
- ❖ Stainless steel screw fixing to mate with applicable male connector.
- ❖ Reverse fix screw-lok suitable for board-to-cable applications, where the female connector is located on the PCB.
- ❖ Order nuts for board-mount separately - see bottom of page.



GECKO SCREW-LOK

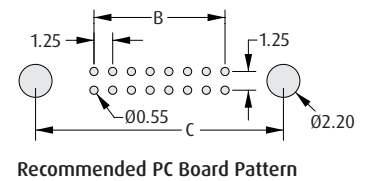
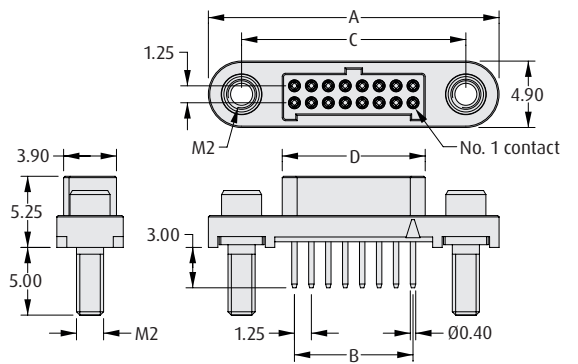
WITHOUT BOARD MOUNT



CALCULATION

A	$B + 12.7$
B	$0.625 \times (\text{Total No. of contacts} - 2)$
C	$B + 7.8$
D	$B + 1.8$

WITH BOARD MOUNT



HOW TO ORDER

G125 - F V1 XX 05 FX X

SERIES CODE

TYPE

V1 3mm Throughboard

TOTAL NO. OF CONTACTS

06, 10, 12, 16, 20, 26, 34, 50

PACKAGING

R	Tape & Reeled
P	Loose

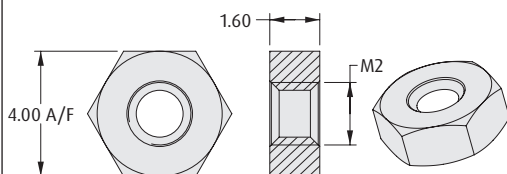
SCREW-LOK

F2	Internal Thread
F3	With 5mm Board Mount stud

REQUIRED HARDWARE

Order separately from connector

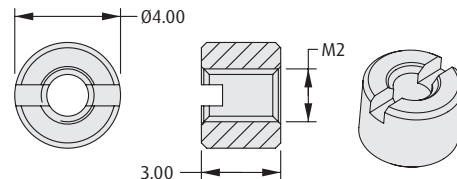
Hexagonal Board Mount Nut



ORDER CODE

G125-4500000B

Slotted Board Mount Nut



ORDER CODE

G125-4510000B

All dimensions in mm.

Patent Published