

# Gecko Screw-Lok Connectors

## Throughboard Metal Hood / Backshell

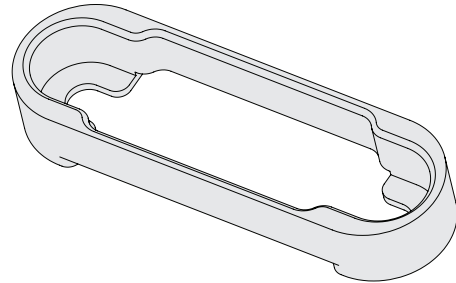
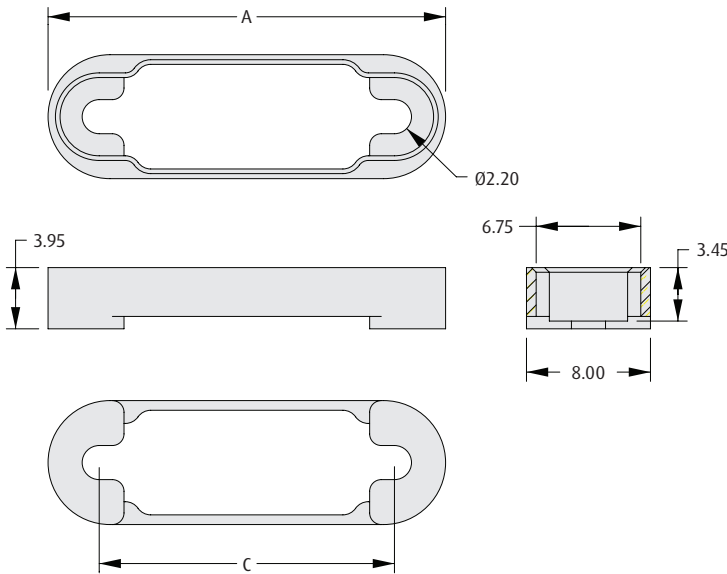
- ❖ Use with G125-MV1xx05M2x connectors for EMC shielding on a PCB mounted application.
- ❖ Use with G125-324xx96M2 connectors for EMC shielding on a panel mount application.
- ❖ Mating female cable connector G125-224xx9600 to be fitted with metal backshell G125-964xxF1 for complete EMC shielded connection.



### HOOD / BACKSHELL

### CALCULATION

<b>A</b>	$B + 14.4$
<b>B</b>	$0.625 \times (\text{Total No. of contacts} - 2)$
<b>C</b>	$B + 7.8$



### HOW TO ORDER

**G125 - 960 XX 02**

**SERIES CODE**

**TOTAL NO. OF CONTACTS**

06, 10, 12, 16, 20, 26, 34, 50