

Customer Information Sheet

DRAWING No.: S8401-46

SHEET 2 OF 2

IF IN DOUBT - ASK

©

NOT TO SCALE

THIRD ANGLE PROJECTION

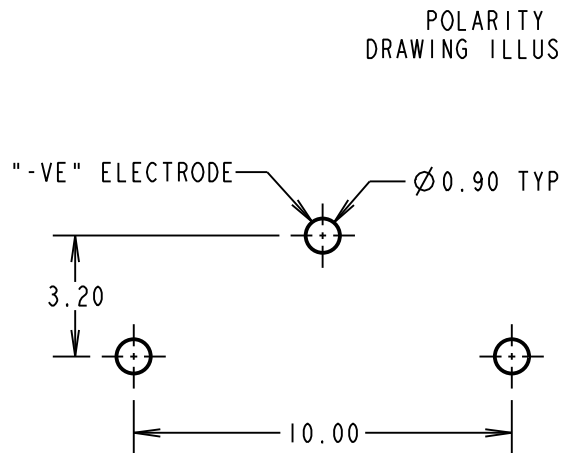
ALL DIMENSIONS IN mm

SPECIFICATIONS:

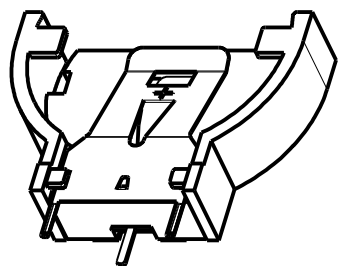
MOULDING:
 NYLON 46 G/F, UL94V-0, BLACK
 CONTACT:
 PHOSPHOR BRONZE
 FINISH:
 100% TIN OVER NICKEL

NOTES:

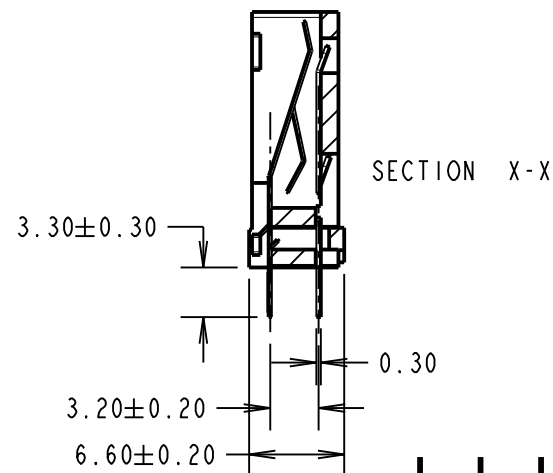
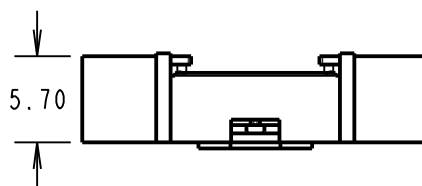
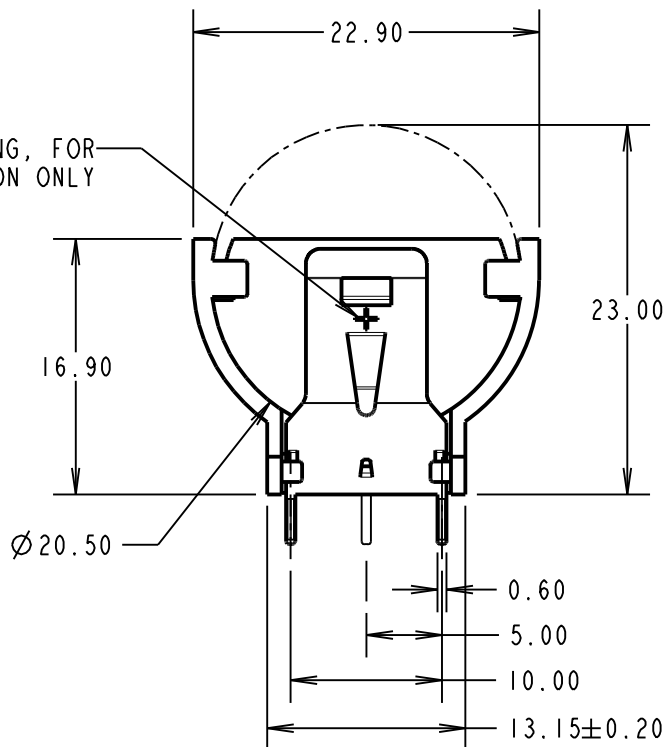
- SUITABLE FOR THE FOLLOWING COIN CELLS
 CR2032 & BR2032.
- ALL TOLERANCES ARE ± 0.25 UNLESS OTHERWISE STATED.



RECOMMENDED PCB LAYOUT
 (TOLERANCE ± 0.05)



POLARITY MARKING, FOR
 DRAWING ILLUSTRATION ONLY



MSP	5	26.08.15	12963
NAME	ISS.	DATE	C/NOTE
APPROVED:		M. PERREN	
CHECKED:		S. BENNETT	
DRAWN:		R. ADDE	
CUSTOMER REF.:			
ASSEMBLY DRG:			

HARWIN

www.harwin.com
 technical@harwin.com

THIS DRAWING AND ANY INFORMATION OR DESCRIPTIVE MATTER SET OUT HEREON ARE CONFIDENTIAL AND COPYRIGHT PROPERTY OF THE HARWIN GROUP AND MUST NOT BE DISCLOSED, LOANED, COPIED OR USED FOR MANUFACTURING, TENDERING OR FOR ANY OTHER PURPOSE WITHOUT THEIR WRITTEN PERMISSION.

TOLERANCES
~~X = ± 1 mm~~
~~X.X = ± 0.50 mm~~
~~X.XX = ± 0.10 mm~~
~~X.XXX = ± 0.01 mm~~
 ANGLES = $\pm 5^\circ$
 UNLESS STATED

MATERIAL:

SEE ABOVE

FINISH: SEE ABOVE

S/AREA:

mm²

TITLE:

VERTICAL THROUGH BOARD
 BATTERY HOLDER

DRAWING NUMBER:

S8401-46

SHT
 2
 OF
 2