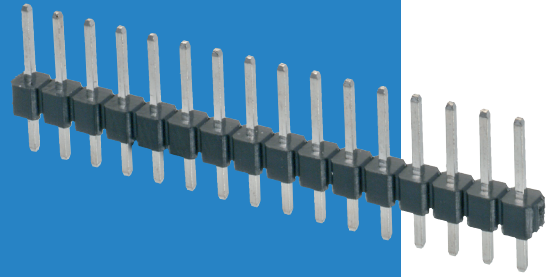


M20 Connectors

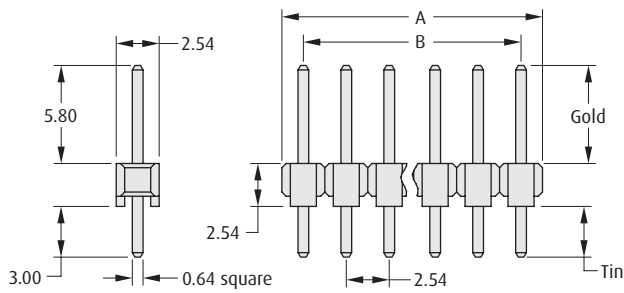
2.54mm (.100") PITCH

Male Vertical Single Row PC Tail

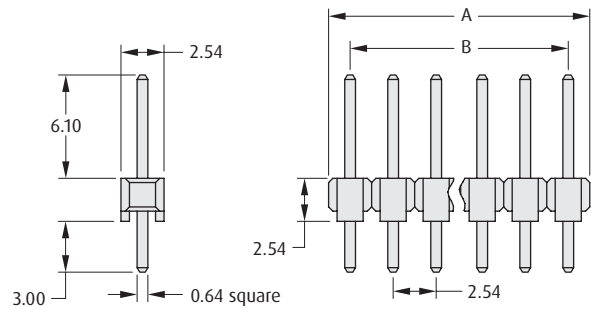
- ❖ Suitable for use with female connectors and jumper sockets shown on previous pages.
- ❖ Choice of mating pin lengths.
- ❖ Pin headers can be cut into smaller sizes.
- ❖ Also available with variable dimensions.



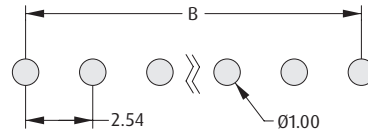
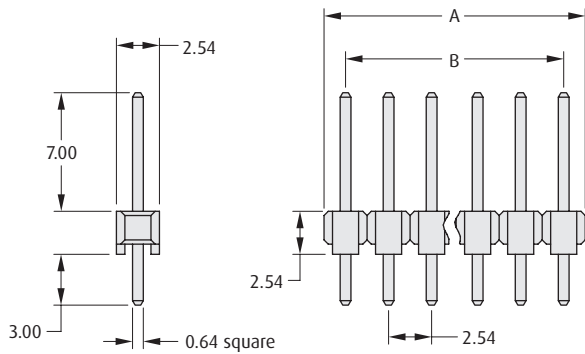
5.8mm



6.1mm



7.0mm



Recommended PC Board Pattern

CALCULATION

A	2.54 x No. of contacts per row
B	2.54 x (No. of contacts per row - 1)

HOW TO ORDER

M20 - 9 XX XX XX

SERIES CODE

TYPE

73	7.0mm Mating Height
77	5.8mm Mating Height
99	6.1mm Mating Height

FINISH

42	Gold + Tin (M20-977)
45	Gold (M20-973, 999)
46	Tin

NO. OF CONTACTS PER ROW

02 to 20, 25 to 28, 36, 40	7.0mm Mating Height
02 to 20, 25, 26, 32, 36, 40	5.8mm Mating Height
02 to 20, 23, 25, 30 to 33, 36, 40	6.1mm Mating Height

All dimensions in mm.