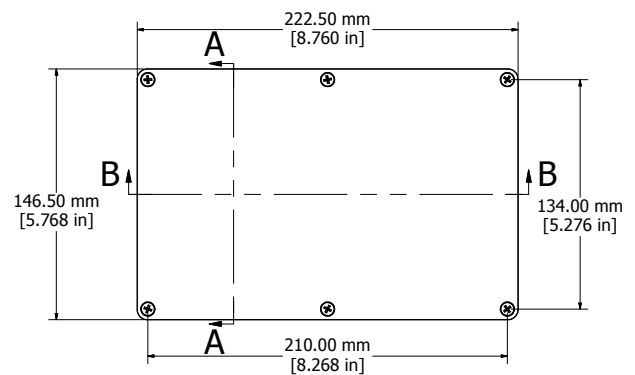
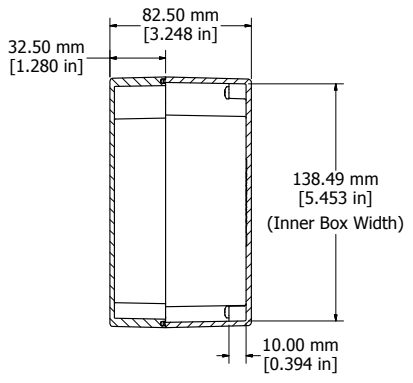


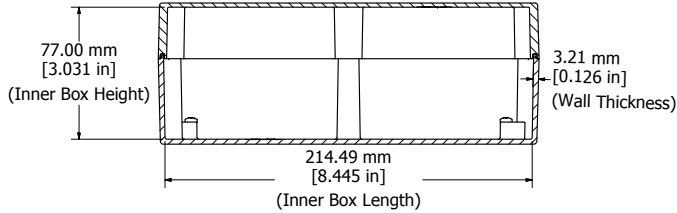
8 | 7 | 6 | 5 | 4 | 3 | 2 | 1



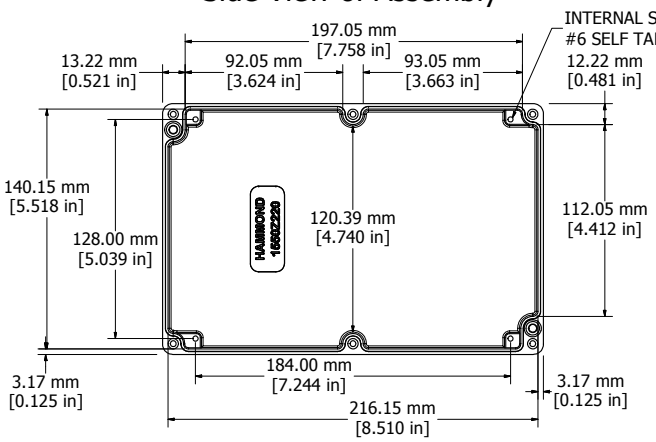
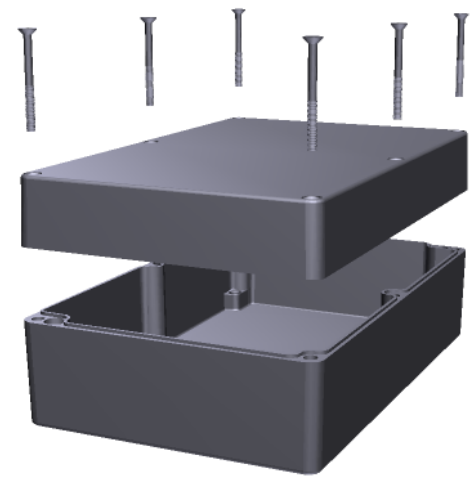
ASSEMBLY



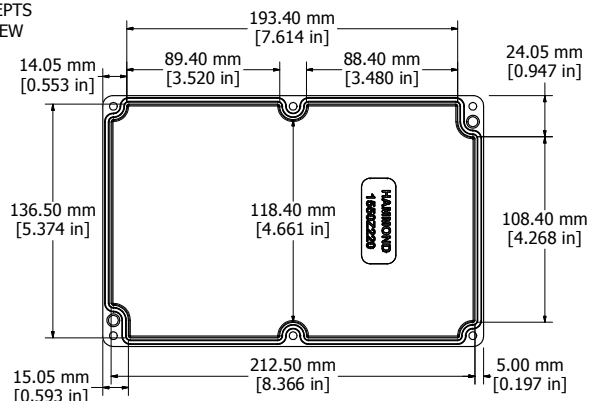
SECTION A-A
End View of Assembly



SECTION B-B
Side View of Assembly



Top View Looking Inside Box



View Looking Inside Lid

UL US LISTED
File #E71073
NEMA 4, 4X

Enclosures can be Factory Modified (Milling, Drilling, Printing etc.)
Contact Factory mjm@hammondmfg.com for quotes
Solid models of this enclosure available in STEP or IGES.

| NOTES | |
|----------------------------------------------------------------------------------------|--|
| Purchased assembly includes enclosure, M4x45 lid screws and Pre-formed Silicone Gasket | |
| Cover screws should be torqued to 5-7.5 lbf.in (50-75 cN.m) | |

| 1550Z220 | |
|--------------------------|------------|
| PART NUMBERS | |
| Natural Finish Enclosure | 1550Z220 |
| Black Textured Enclosure | 1550Z220BK |

HAMMOND MANUFACTURING™
1550Z220
www.hammondmfg.com

8 | 7 | 6 | 5 | 4 | 3 | 2 | 1