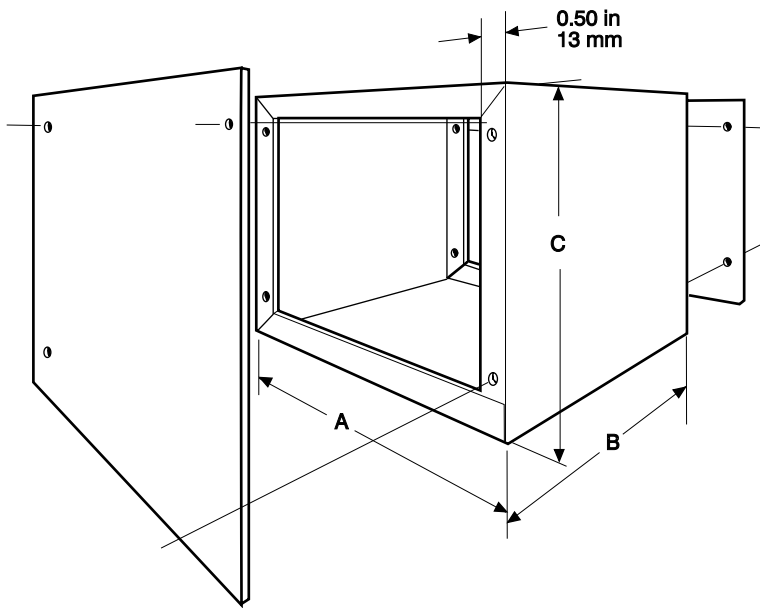
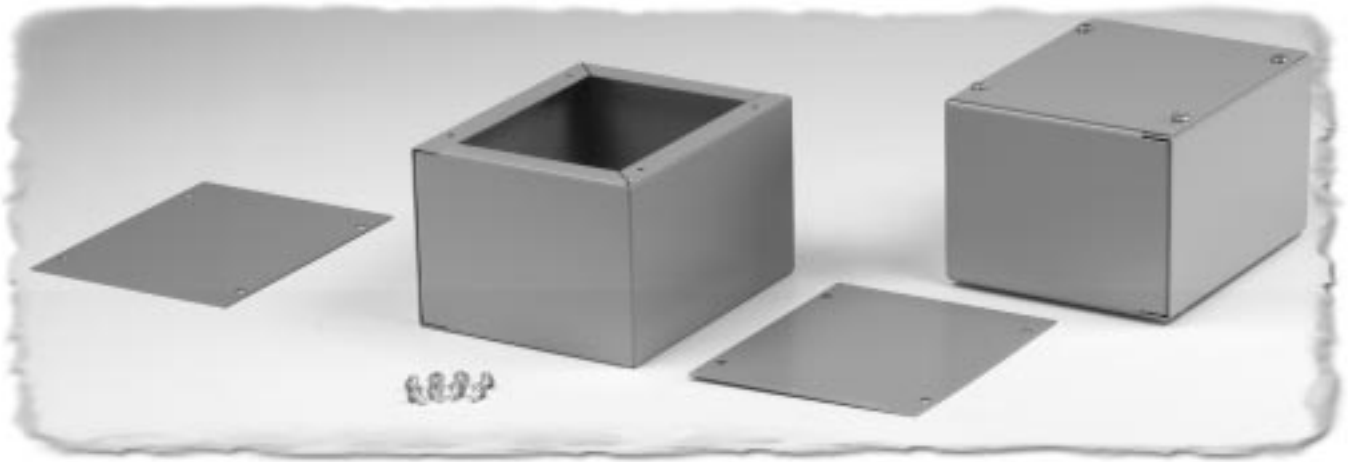


Steel Utility (1415 Series)



KEY FEATURES

- Sizes A to E are 20 gauge 0.036" thick steel.
- Sizes F to J are 18 gauge 0.048" thick steel.
- Self-tapping screws included.
- ASA 61 grey powder paint finish.
- Replacement screws **1421J6** (Pkg. of 6, 6-32 Philips head screws).
- Lid mounting holes are 3/16" diameter

Part Number	Units	Dimensions		
		A	B	C
1415A	inch	4	2	4
	mm	102	51	102
1415B	inch	4	3	5
	mm	102	76	127
1415C	inch	6	4	5
	mm	152	102	127
1415D	inch	6	6	6
	mm	152	152	152
1415E	inch	9	5	6
	mm	229	127	152
1415F	inch	10	7	8
	mm	254	178	203
1415H	inch	10	8	10
	mm	254	203	254
1415G	inch	12	6	7
	mm	305	152	178
1415I	inch	12	8	11
	mm	305	203	279
1415J	inch	15	7	9
	mm	383	179	230

Metal