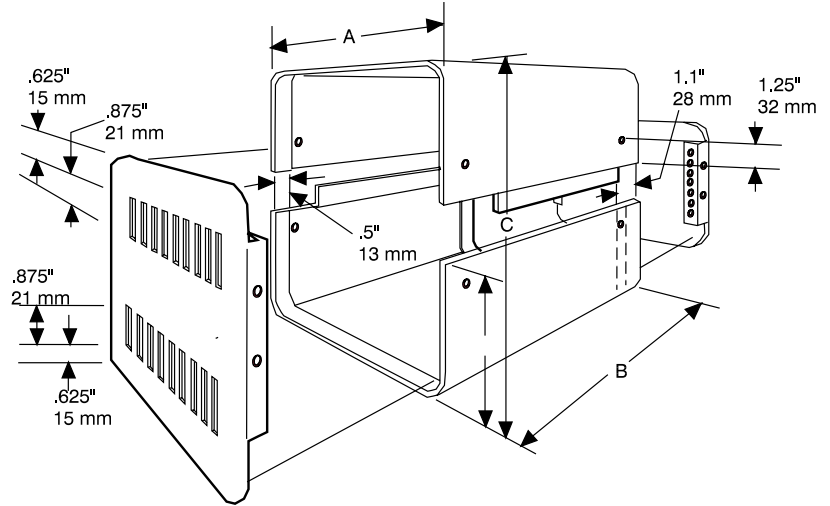
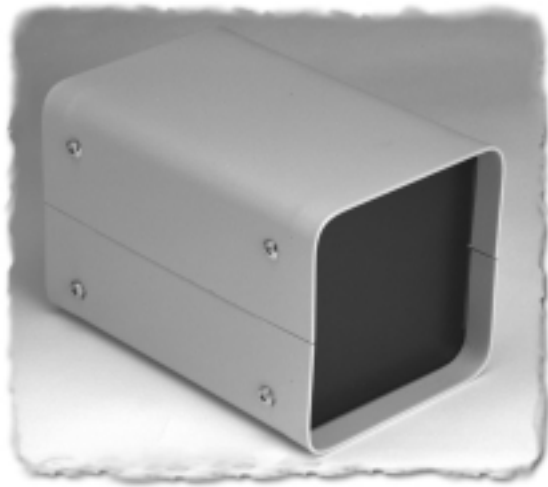


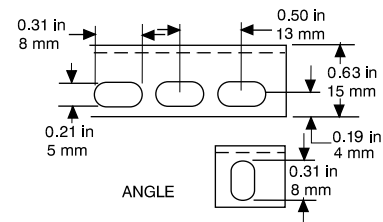
Instrument (1401 Series)



KEY FEATURES

- 20 gauge steel top & bottom halves finished in contempra grey.
- 0.064" thick aluminum panels, front finished in satin black and vented back finished in contempra grey.
- Rear panel is vented top and bottom
- 6-32 Philips nickel plated screws and self-adhesive rubber feet included.
- Replacement screws **1421J6** (Pkg. of 6, 6-32 philips head screws).

Part Number	Units	Dimensions		
		A	B	C
1401AAA	inch mm	4 101	6 152	4 101
1401AA	inch mm	6 152	6 152	5 127
1401A	inch mm	6 152	10 254	5 127
1401C	inch mm	8 203	10 254	9 229
1401E	inch mm	8 203	8 203	8 203
1401G	inch mm	10 254	12 305	9 229
1401K	inch mm	10 254	14 356	6.5 165
1401M	inch mm	12 305	8 203	9 229
1401N	inch mm	14 356	8 203	9 229
1401P	inch mm	14 356	10 254	5 127



Mounting Rails

- Includes 1 rail, 2 "L" angle brackets, 4 clips and 4 screws per part.

Part Number	Units	Rail length
1448R6	inch mm	5.6 142
1448R8	inch mm	7.6 193
1448R10	inch mm	9.6 244
1448R12	inch mm	11.6 295
1448R14	inch mm	13.6 345
1448A20		Package of 20 angles, clips, & screws

General Purpose Metal