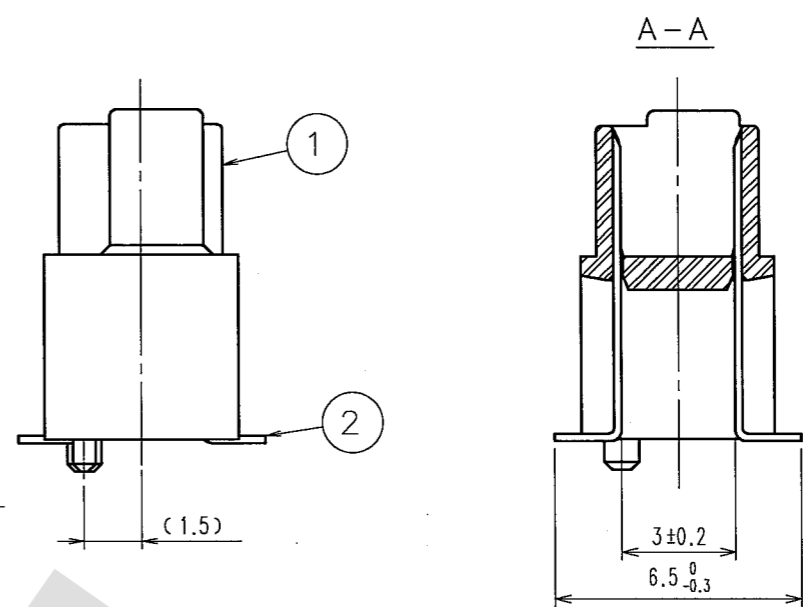
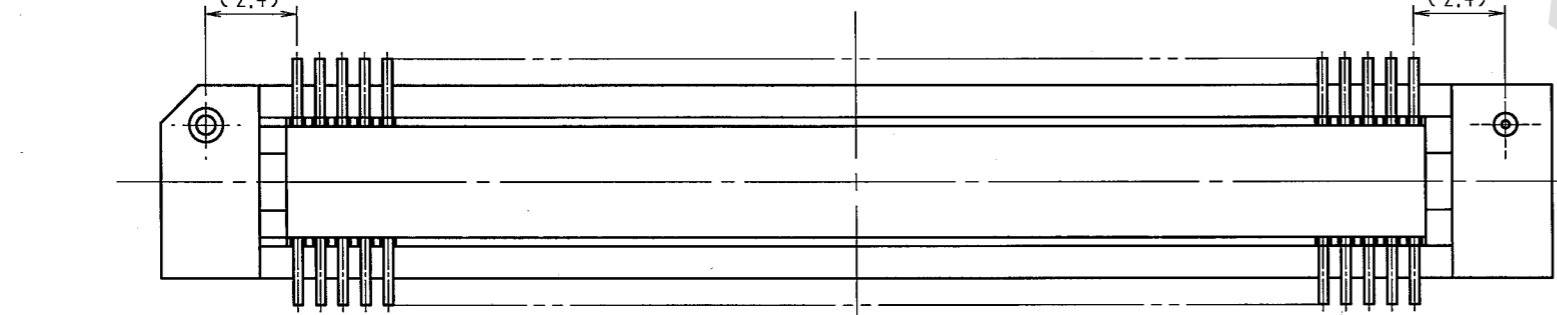
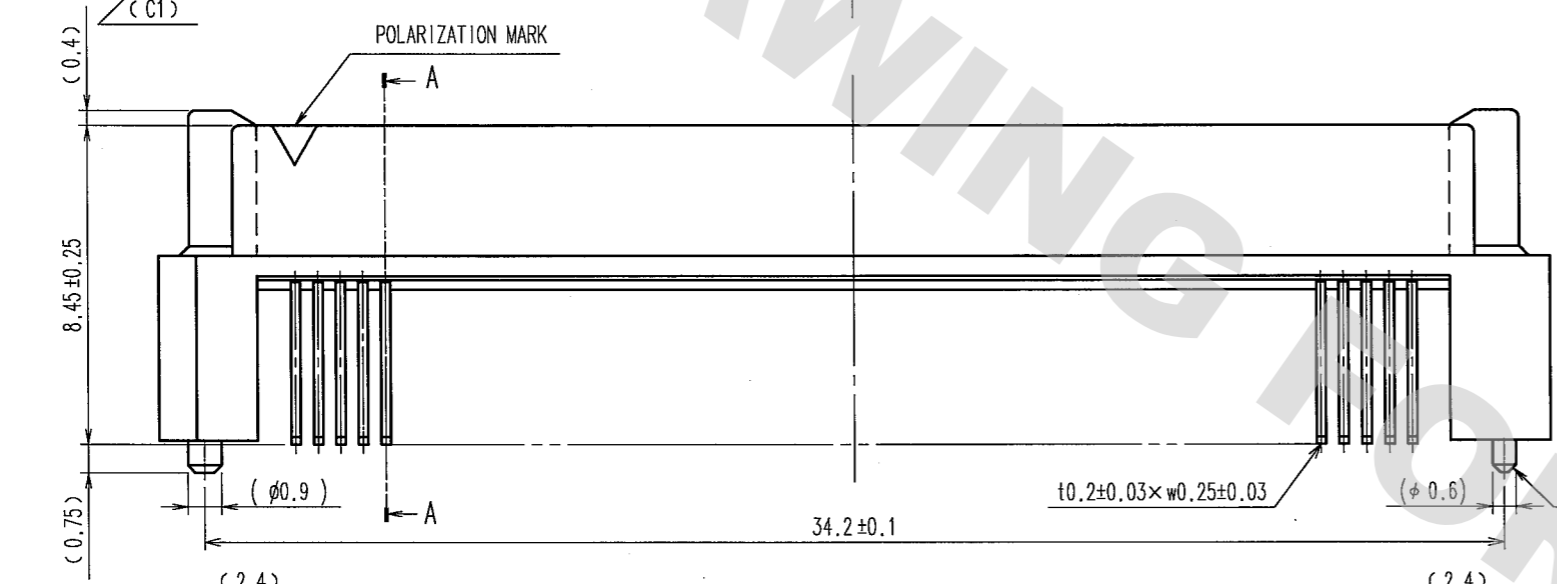
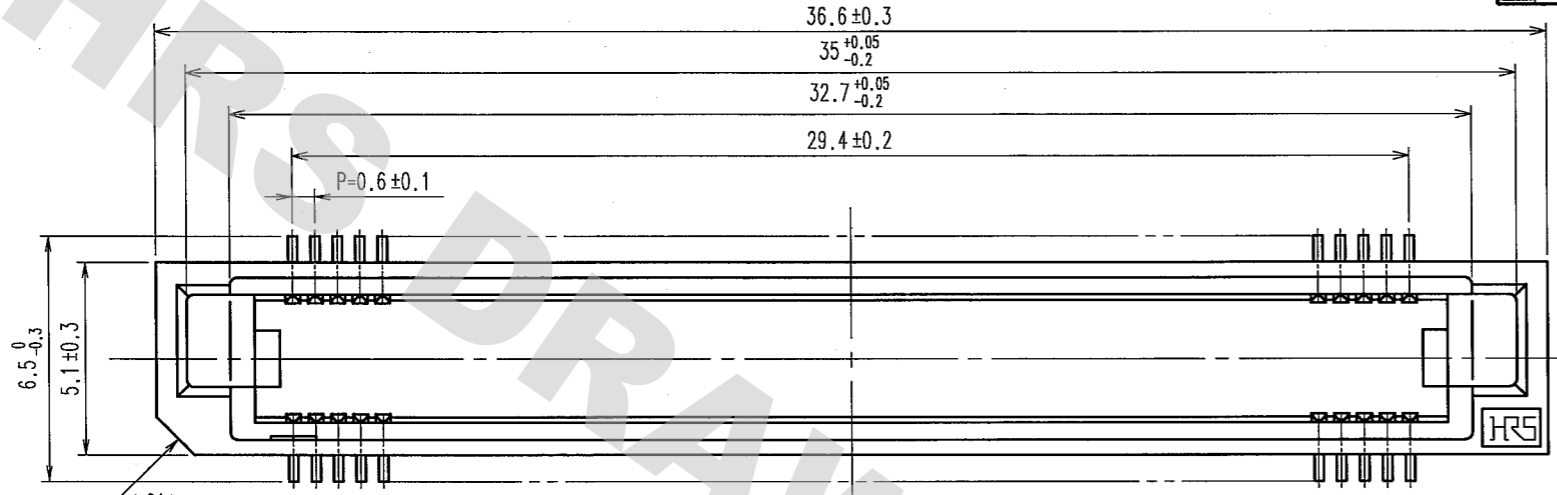


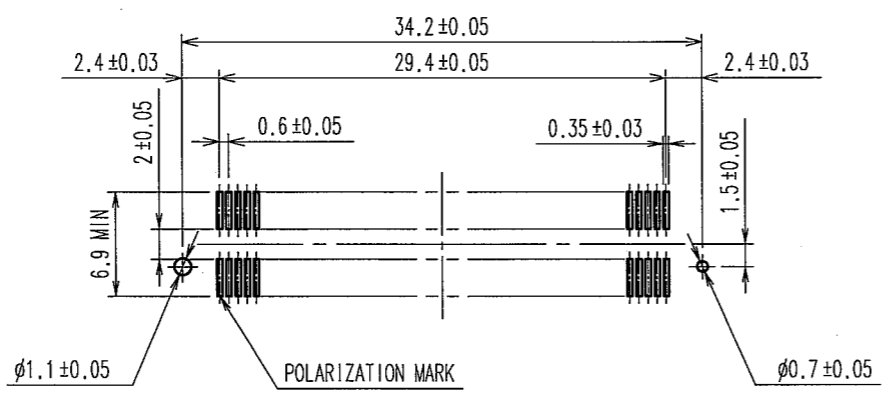
1 2 3 4 5 6 7 8

COUNT	DESCRIPTION OF REVISIONS	BY	CHKD	DATE	COUNT	DESCRIPTION OF REVISIONS	BY	CHKD	DATE
△				..	△				..
△				..	△				..
△				..	△				..



- NOTE 1. LEAD CO-PLANARITY SHALL BE 0.1mm MAX.  
 2. EMBOSSED CARRIER TAPE PACKAGING SHALL BE APPLIED FOR THIS PRODUCT. SEE NEXT PAGE FOR DETAILS.  
 3. FOR MODIFICATION, ETC., PREVENTIVE HOLE FOR SINK MARK MAY BE ADDED ACCORDING TO CIRCUMSTANCES.  
 4. THE DIMENSIONS IN PARENTHESES ARE FOR REFERENCE.

RECOMMENDED LAND PATTERN DIMENSION OF PCB (MOUNTING SIDE) (2:1)



1	PPS	LIGHT BROWN (UL94V-0)	2	PHOSPHOR BRONZE	CONTACT AREA: GOLD 0.1μm min. LEAD AREA: TIN-PLATING 1μm min. UNDER PLATING: NICKEL 1μm min.
NO.	MATERIAL	FINISH, REMARKS	NO.	MATERIAL	FINISH, REMARKS
CODE NO. (OLD) CL		DRAWN K.NAKAMURA 05.11.22	DESIGNED K.NAKAMURA 05.11.22	CHECKED H. Okawa '05.11.22	APPROVED H. Okawa '05.11.22
SCALE 5 : 1 UNITS mm		DRAWING NO. EDC3-150863-22		PART NO. FX8C-100P-SV4(92)	
		HRS HIROSE ELECTRIC CO., LTD.		CODE NO. CL578-0585-9-92	

DRAWING FOR REFERENCE: This is subject to change without notice  
08/11/2012

TO
PCK

1 2 3 4 5 6 7 8

COUNT	DESCRIPTION OF REVISIONS	BY	CHKD	DATE	COUNT	DESCRIPTION OF REVISIONS	BY	CHKD	DATE

UNREELING DIRECTION

REEL DIMENSION (FREE)

NOTE 1 1 REEL : 500 CONNECTORS  
2 THE DIMENSIONS IN PARENTHESES ARE FOR REFERENCE.

2	POLYESTER	(TOP COVER TAPE)	3	(CONNECTOR)	
1	POLYSTYRENE	(EMBOSSED CARRIER TAPE)			
NO.	MATERIAL	FINISH, REMARKS	NO.	MATERIAL	FINISH, REMARKS
CODE NO. (OLD) CL		DRAWN K.NAKAMURA	DESIGNED K.NAKAMURA	CHECKED H. Ogawa	APPROVED H. Chawa
		05.11.22	05.11.22	05.11.22	05.11.22
DRAWING NO. EDC3-150863-22			PART NO. FX8C-100P-SV4(92)		
SCALE 2 : 1			CODE NO. CL578-0585-9-92		
UNITS mm			2		
HRS HIROSE ELECTRIC CO., LTD					

DRAWING FOR REFERENCE: This is subject to change without notice  
08/11/2012

TO
PCK

1 2 3 4 5 6 7 8