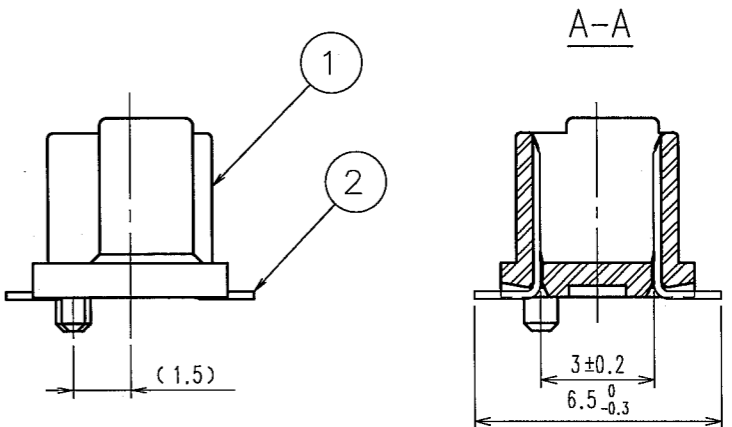
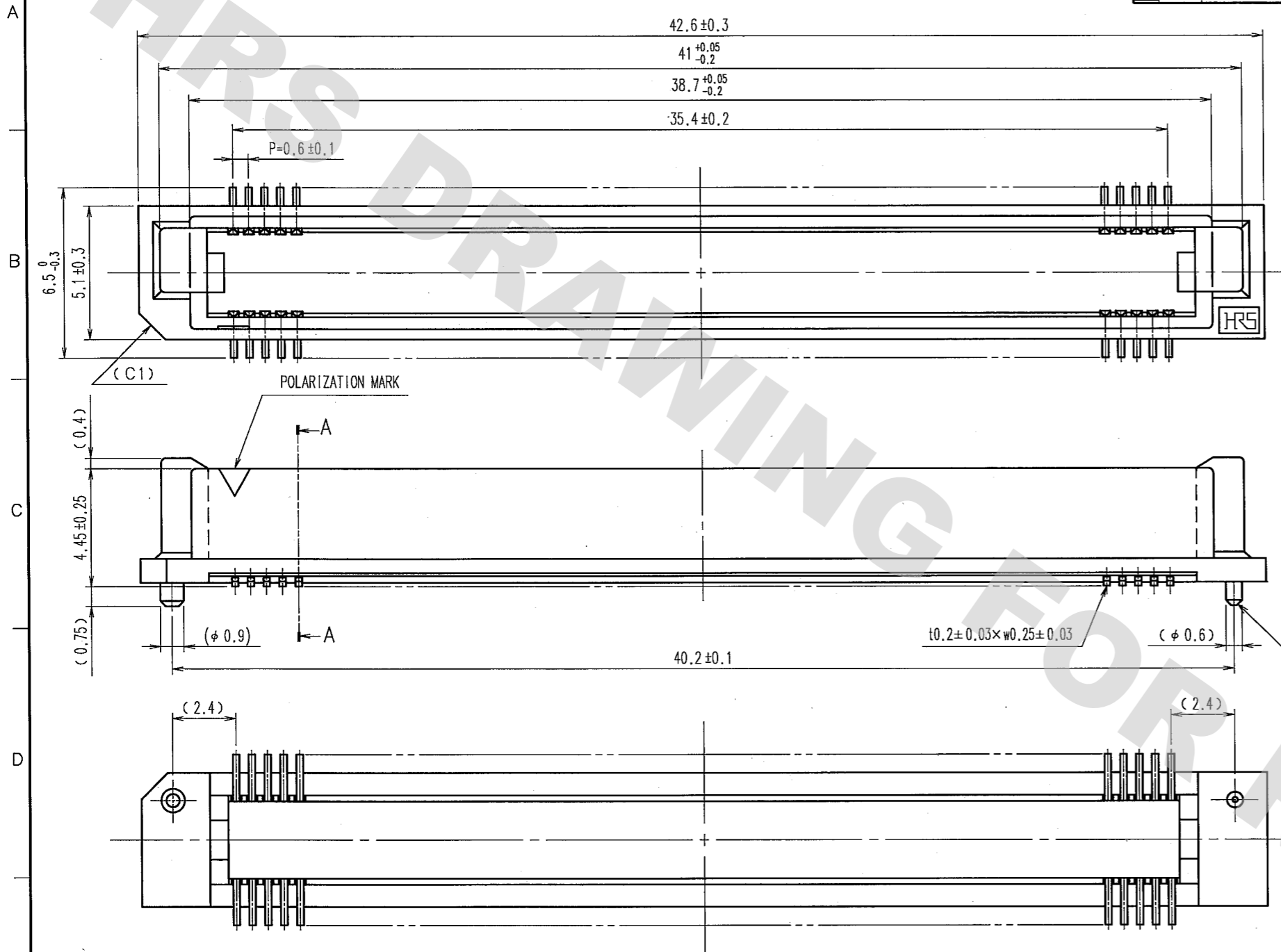
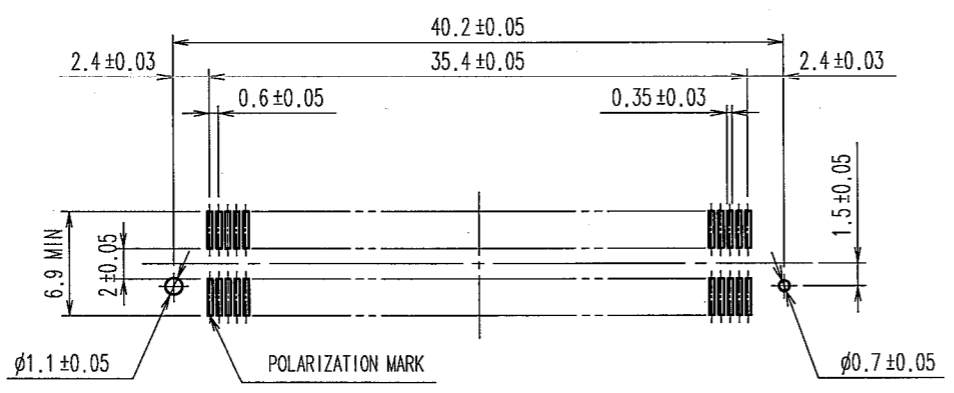


COUNT	DESCRIPTION OF REVISIONS	BY	CHKD	DATE	COUNT	DESCRIPTION OF REVISIONS	BY	CHKD	DATE
△					△				
△					△				
△					△				



- NOTE 1. LEAD CO-PLANARITY SHALL BE 0.1mm MAX.
 2. EMBOSSED CARRIER TAPE PACKAGING SHALL BE APPLIED FOR THIS PRODUCT. SEE NEXT PAGE FOR DETAILS.
 3. FOR MODIFICATION, ETC., PREVENTIVE HOLE FOR SINK MARK MAY BE ADDED ACCORDING TO CIRCUMSTANCES.
 4. THE DIMENSIONS IN PARENTHESES ARE FOR REFERENCE.

RECOMMENDED LAND PATTERN DIMENSION OF PCB (MOUNTING SIDE) (2:1)



1	PPS	LIGHT BROWN (UL94V-0)	2	PHOSPHOR BRONZE	CONTACT AREA: GOLD 0.1μm min. LEAD AREA: GOLD FLASH UNDER PLATING: NICKEL 0.5μm min.
NO.	MATERIAL	FINISH, REMARKS	NO.	MATERIAL	FINISH, REMARKS
CODE NO. (OLD) CL			DRAWN K.NAKAMURA 05.11.21	DESIGNED K.NAKAMURA 05.11.21	CHECKED H. Okawa '05.11.21
			APPROVED H. Okawa '05.11.21	RELEASED	
SCALE 5 : 1	DRAWING NO. EDC3-150824-22		PART NO. FX8C-120P-SV(92)		
UNITS mm	HRS HIROSE ELECTRIC CO., LTD.		CODE NO. CL578-0506-2-92		1/2

DRAWING FOR REFERENCE: This is subject to change without notice
08/11/2012

TO
PCK

1

2

3

4

5

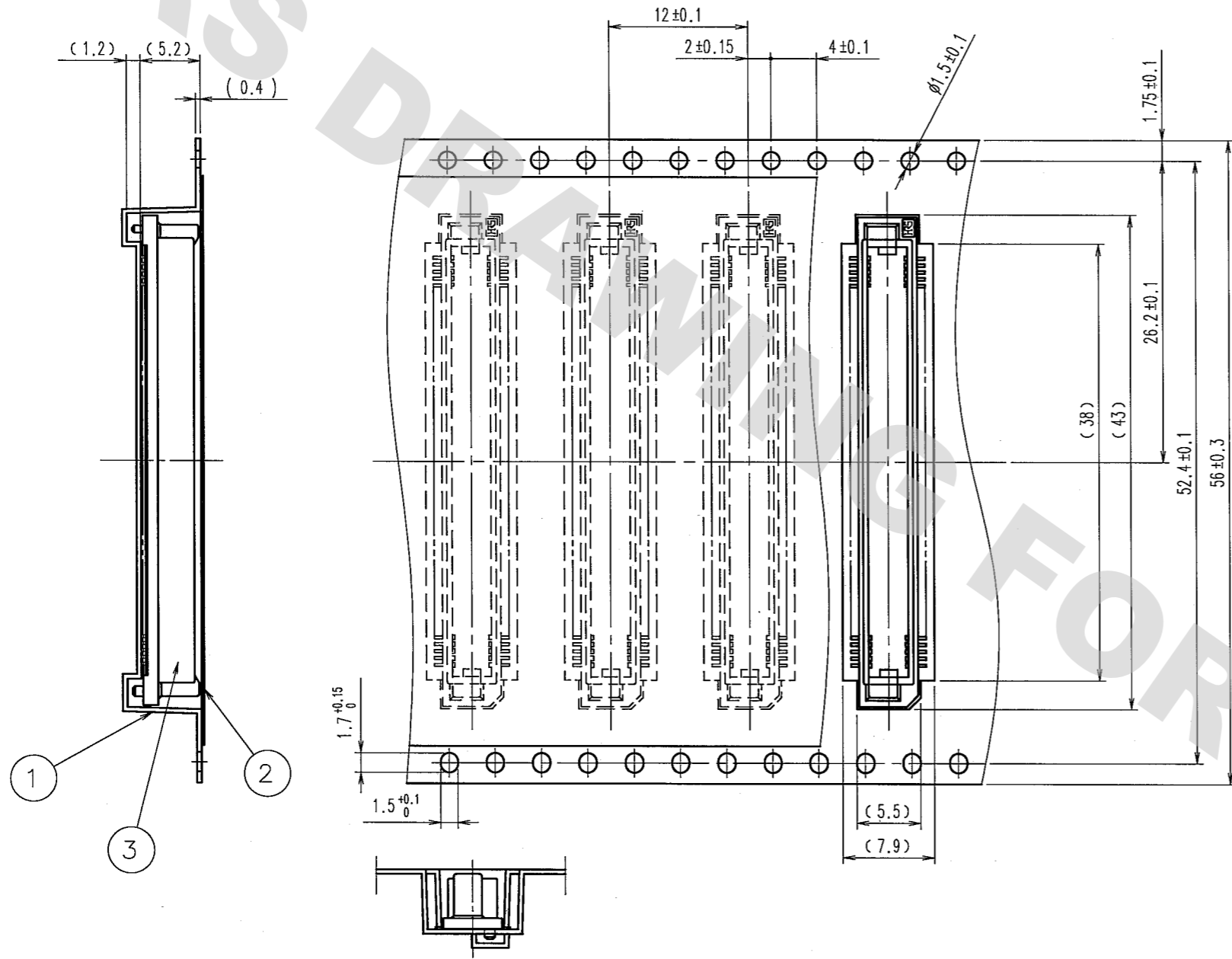
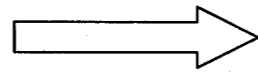
6

7

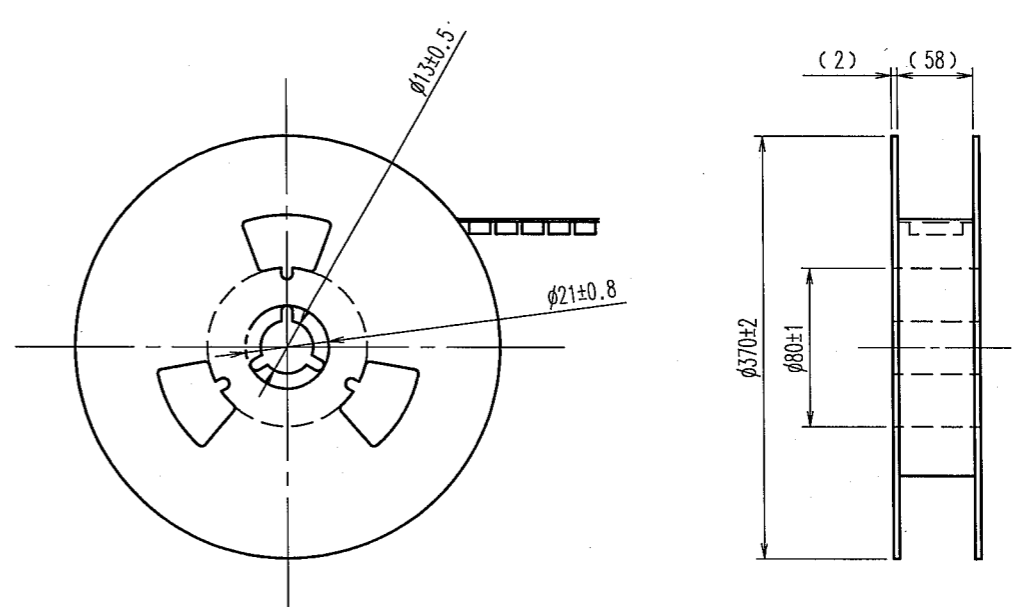
8

COUNT	DESCRIPTION OF REVISIONS	BY	CHKD	DATE	COUNT	DESCRIPTION OF REVISIONS	BY	CHKD	DATE

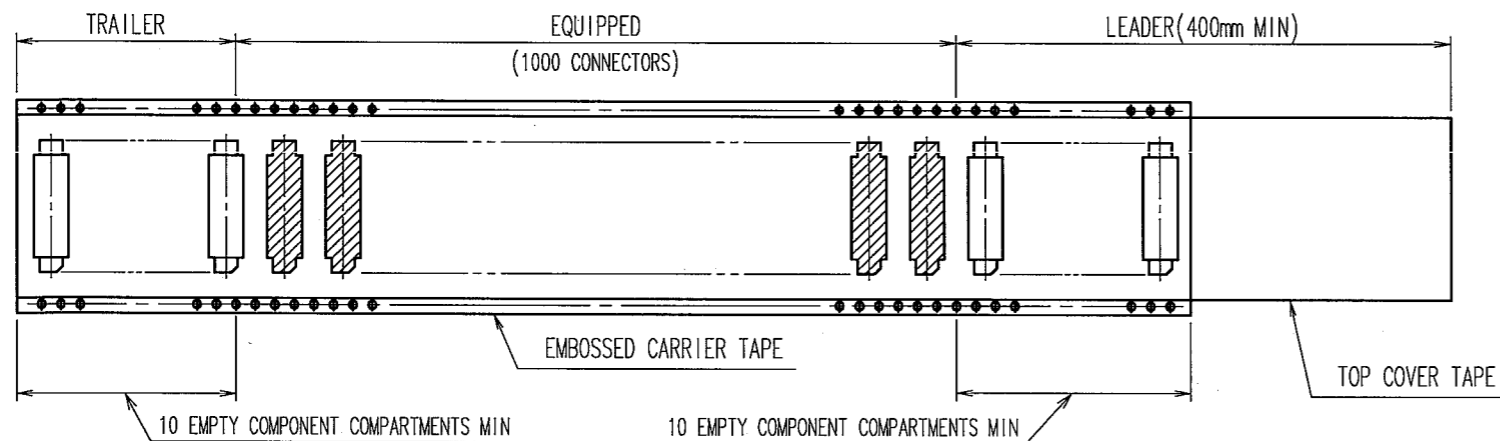
UNREELING DIRECTION



REEL DIMENSION (FREE)



NOTE 1 1 REEL : 1000 CONNECTORS
 2 THE DIMENSIONS IN PARENTHESES ARE FOR REFERENCE.



2	POLYESTER	(TOP COVER TAPE)	3		(CONNECTOR)		
1	POLYSTYRENE	(EMBOSSED CARRIER TAPE)					
NO.	MATERIAL	FINISH, REMARKS	NO.	MATERIAL	FINISH, REMARKS		
CODE NO. (OLD)	CL		DRAWN	DESIGNED	CHECKED	APPROVED	RELEASED
			K.NAKAMURA	K.NAKAMURA	<i>(Signature)</i>	<i>H. Okawa</i>	
			05.11.21	05.11.21	'05.11.21	'05.11.21	
DRAWING NO. EDC3-150824-22			PART NO. FX8C-120P-SV(92)				
SCALE 2 : 1			CODE NO. CL578-0506-2-92				
UNITS mm			HRS HIROSE ELECTRIC CO., LTD				

DRAWING FOR REFERENCE: This is subject to change without notice
08/11/2012

TO
PCK

