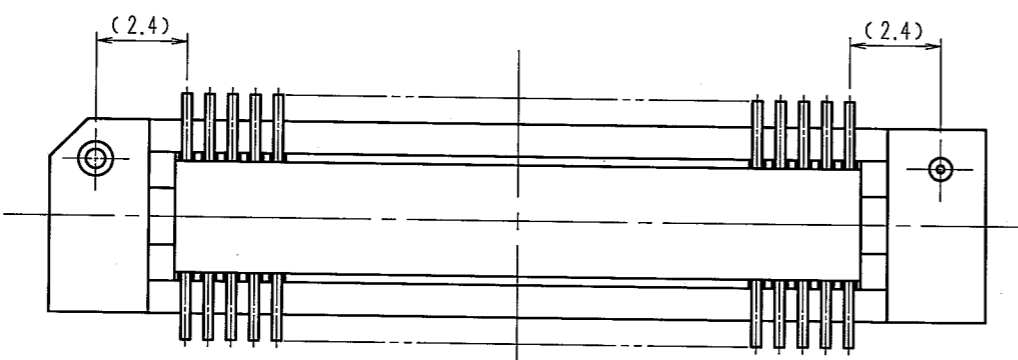
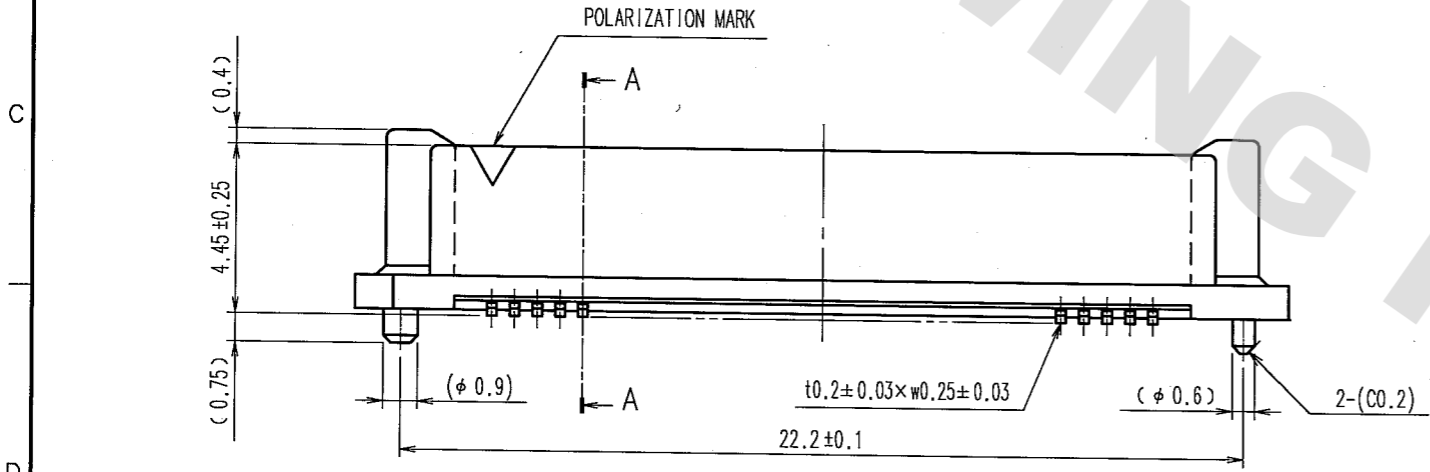
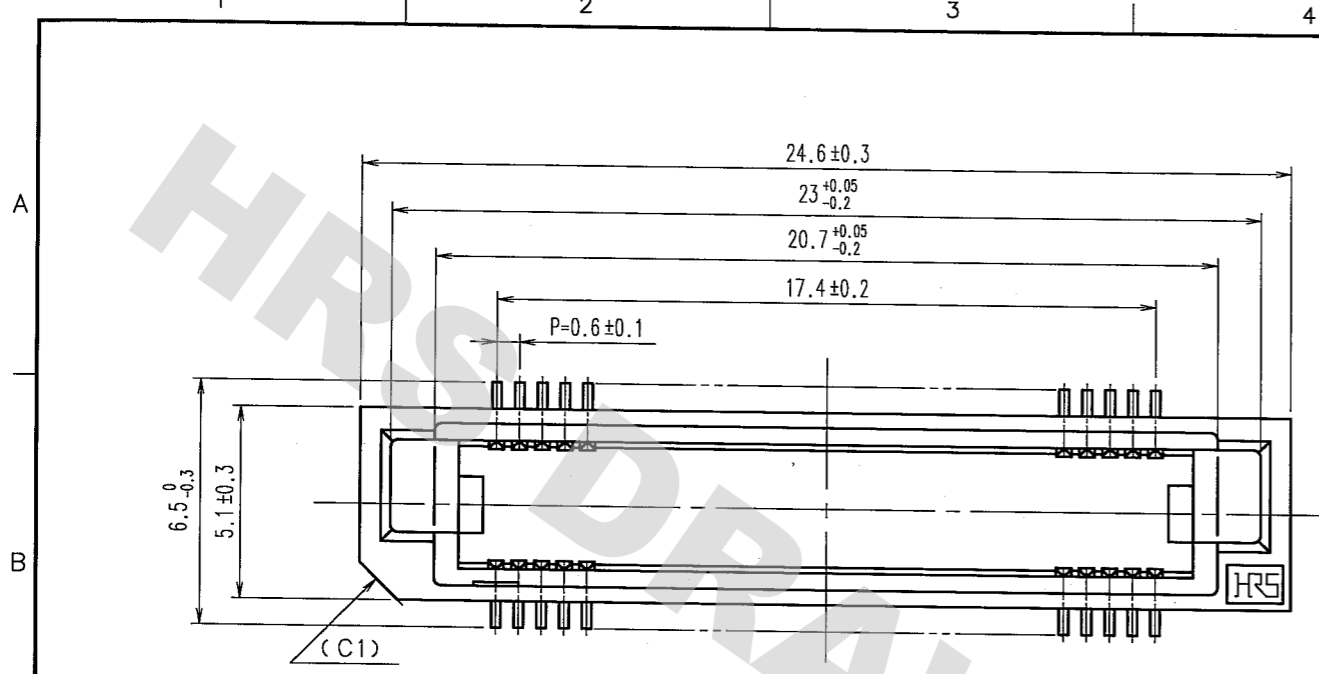
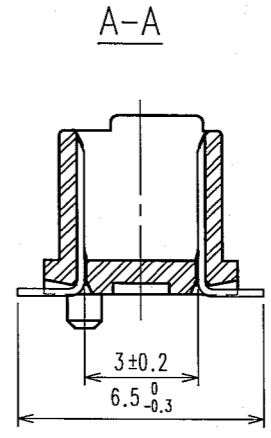
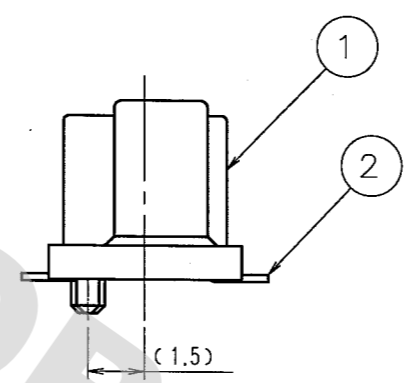
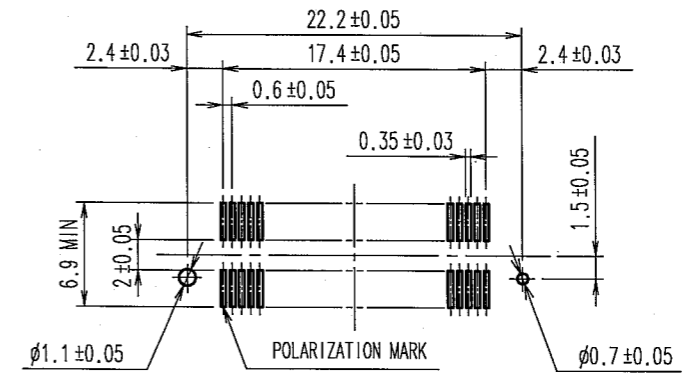


DRAWING FOR REFERENCE: This is subject to change without notice  
08/11/2012



| COUNT | DESCRIPTION OF REVISIONS | BY | CHKD | DATE | COUNT | DESCRIPTION OF REVISIONS | BY | CHKD | DATE |
|-------|--------------------------|----|------|------|-------|--------------------------|----|------|------|
|       |                          |    |      |      |       |                          |    |      |      |
|       |                          |    |      |      |       |                          |    |      |      |
|       |                          |    |      |      |       |                          |    |      |      |

RECOMMENDED LAND PATTERN DIMENSION OF PCB (MOUNTING SIDE) (2:1)

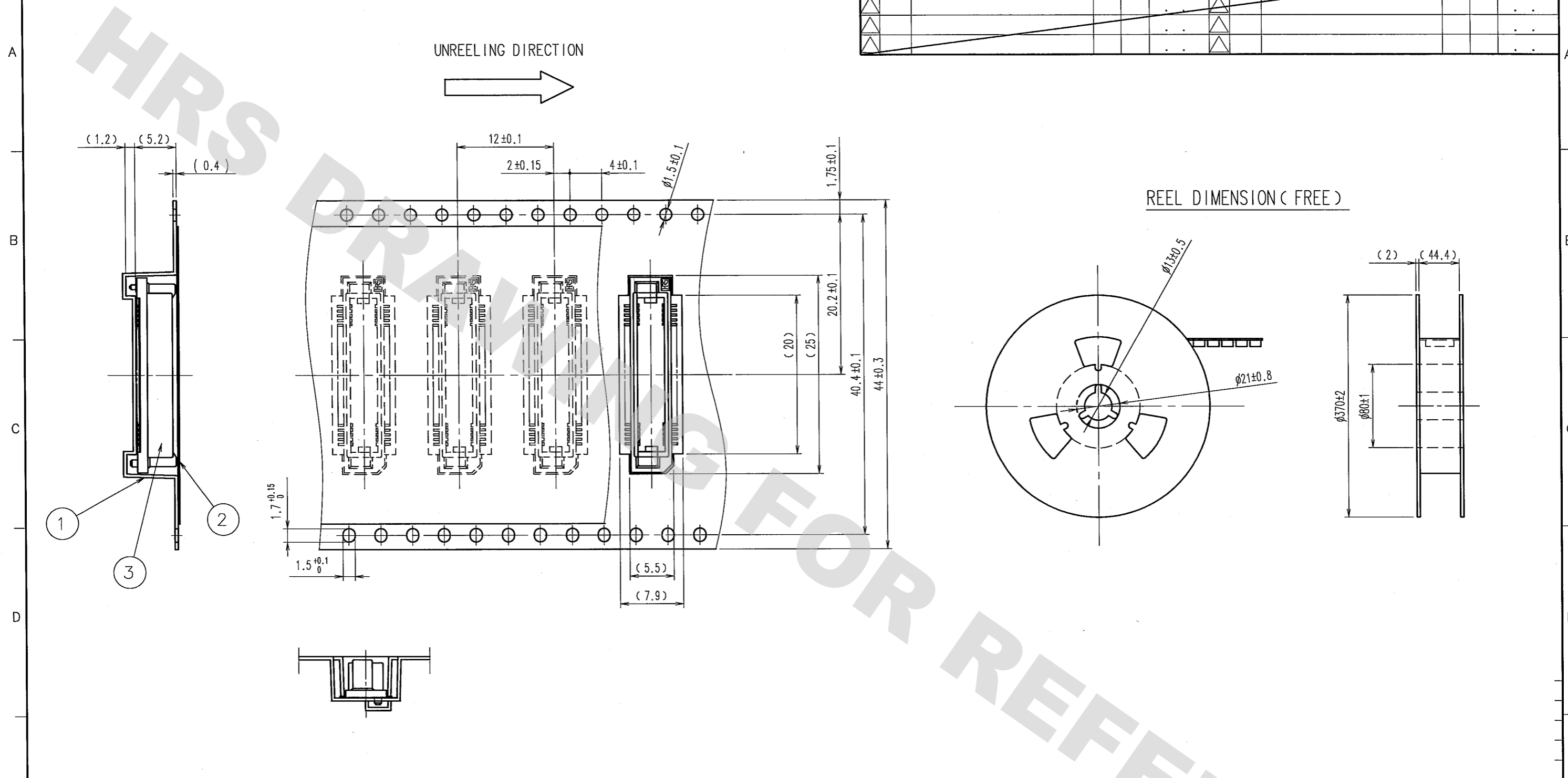


- NOTE 1. LEAD CO-PLANARITY SHALL BE 0.1mm MAX.  
 2. EMBOSSED CARRIER TAPE PACKAGING SHALL BE APPLIED FOR THIS PRODUCT. SEE NEXT PAGE FOR DETAILS.  
 3. FOR MODIFICATION, ETC., PREVENTIVE HOLE FOR SINK MARK MAY BE ADDED ACCORDING TO CIRCUMSTANCES.  
 4. THE DIMENSIONS IN PARENTHESES ARE FOR REFERENCE.

|                      |          |                                  |                                     |   |  |
|----------------------|----------|----------------------------------|-------------------------------------|---|--|
| 1                    | PPS      | LIGHT BROWN (UL94V-0)            | 2                                   | PHOSPHOR BRONZE                         | CONTACT AREA: GOLD 0.1μ m min.<br>LEAD AREA: GOLD FLASH<br>UNDER PLATING: NICKEL 0.5μ m min. |
| NO.                  | MATERIAL | FINISH, REMARKS                  | NO.                                 | MATERIAL                                | FINISH, REMARKS  |
| CODE NO. (OLD)<br>CL |          | DRAWN<br>K. NAKAMURA<br>05.11.21 | DESIGNED<br>K. NAKAMURA<br>05.11.21 | CHECKED<br><i>K. Ogawa</i><br>'05.11.21 | APPROVED<br><i>H. Okawa</i><br>'05.11.21   |
| SCALE<br>5 : 1       |          | DRAWING NO.<br>EDC3-150821-22    |                                     | PART NO.<br>FX8C-60P-SV(92)             |  |
| UNITS<br>mm          |          | HIROSE ELECTRIC CO., LTD.        |                                     | CODE NO.<br>CL578-0501-9-92             | 1/2  |

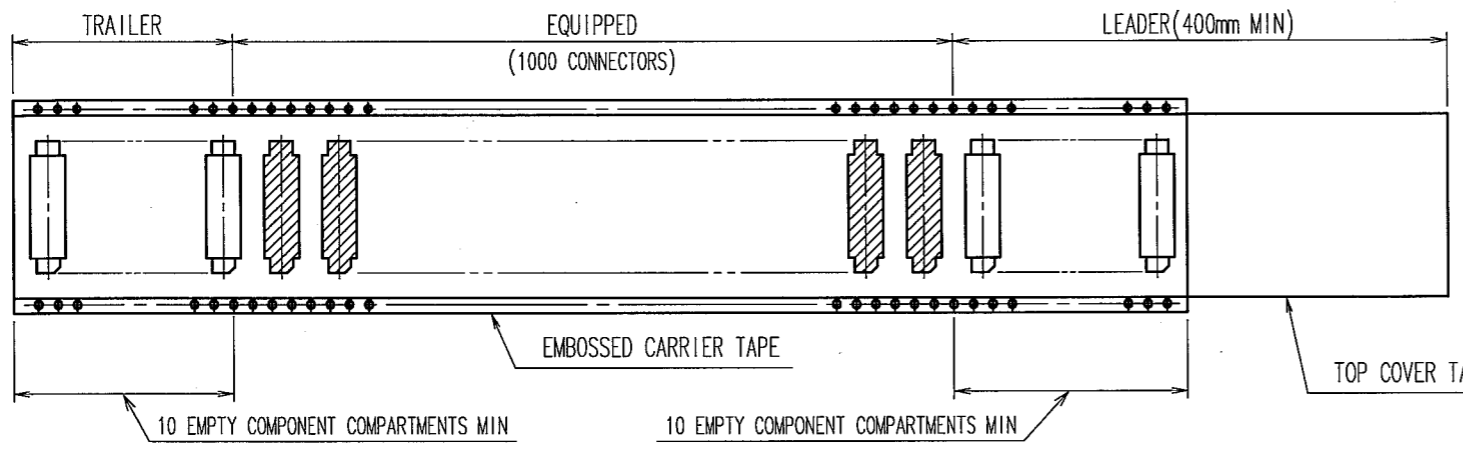
1 2 3 4 5 6 7 8

| COUNT | DESCRIPTION OF REVISIONS | BY | CHKD | DATE | COUNT | DESCRIPTION OF REVISIONS | BY | CHKD | DATE |
|-------|--------------------------|----|------|------|-------|--------------------------|----|------|------|
|       |                          |    |      |      |       |                          |    |      |      |
|       |                          |    |      |      |       |                          |    |      |      |
|       |                          |    |      |      |       |                          |    |      |      |



REEL DIMENSION ( FREE )

NOTE 1 1 REEL : 1000 CONNECTORS  
2 THE DIMENSIONS IN PARENTHESES ARE FOR REFERENCE.



| 2                          | POLYESTER   | (TOP COVER TAPE)        | 3                            |            | (CONNECTOR)     |           |          |
|----------------------------|-------------|-------------------------|------------------------------|------------|-----------------|-----------|----------|
| 1                          | POLYSTYRENE | (EMBOSSED CARRIER TAPE) |                              |            |                 |           |          |
| NO.                        | MATERIAL    | FINISH, REMARKS         | NO.                          | MATERIAL   | FINISH, REMARKS |           |          |
| CODE NO. (OLD)             | CL          |                         | DRAWN                        | DESIGNED   | CHECKED         | APPROVED  | RELEASED |
|                            |             |                         | K.NAKAMURA                   | K.NAKAMURA | K. Ogawa        | H. Okawa  |          |
|                            |             |                         | 05.11.21                     | 05.11.21   | '05.11.21       | '05.11.21 |          |
| DRAWING NO. EDC3-150821-22 |             |                         | PART NO. FX8C-60P-SV(92)     |            |                 |           |          |
| SCALE 2 : 1                |             |                         | CODE NO. CL578-0501-9-92     |            |                 |           |          |
| UNITS mm                   |             |                         | HRS HIROSE ELECTRIC CO., LTD |            |                 |           |          |

DRAWING FOR REFERENCE: This is subject to change without notice  
08/11/2012

|     |
|-----|
| TO  |
| PCK |
|     |
|     |

1 2 3 4 5 6 7 8

