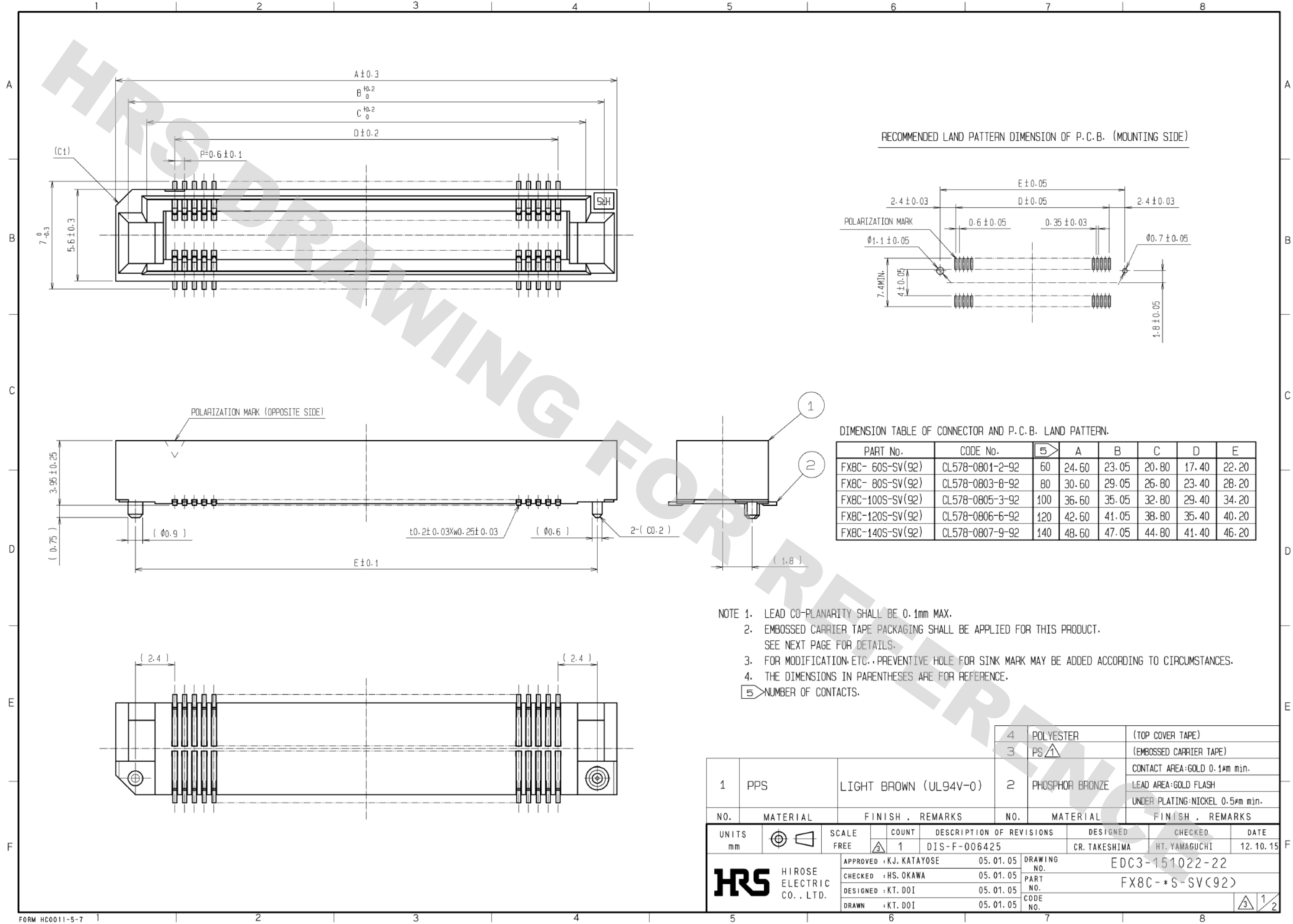


DRAWING FOR REFERENCE: This is subject to change without notice
05/31/2013



DIMENSION TABLE OF CONNECTOR AND P.C.B. LAND PATTERN.

PART No.	CODE No.	5	A	B	C	D	E
FX8C-60S-SV(92)	CL578-0801-2-92	60	24.60	23.05	20.80	17.40	22.20
FX8C-80S-SV(92)	CL578-0803-8-92	80	30.60	29.05	26.80	23.40	28.20
FX8C-100S-SV(92)	CL578-0805-3-92	100	36.60	35.05	32.80	29.40	34.20
FX8C-120S-SV(92)	CL578-0806-6-92	120	42.60	41.05	38.80	35.40	40.20
FX8C-140S-SV(92)	CL578-0807-9-92	140	48.60	47.05	44.80	41.40	46.20

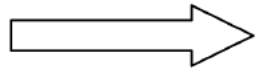
- NOTE 1. LEAD CO-PLANARITY SHALL BE 0.1mm MAX.
 2. EMBOSSED CARRIER TAPE PACKAGING SHALL BE APPLIED FOR THIS PRODUCT. SEE NEXT PAGE FOR DETAILS.
 3. FOR MODIFICATION, ETC., PREVENTIVE HOLE FOR SINK MARK MAY BE ADDED ACCORDING TO CIRCUMSTANCES.
 4. THE DIMENSIONS IN PARENTHESES ARE FOR REFERENCE.
 5 NUMBER OF CONTACTS.

1	PPS	LIGHT BROWN (UL94V-0)	2	PHOSPHOR BRONZE			
NO.	MATERIAL	FINISH . REMARKS	NO.	MATERIAL	FINISH . REMARKS		
4	POLYESTER	(TOP COVER TAPE)					
3	PS \triangle	(EMBOSSED CARRIER TAPE)					
		CONTACT AREA: GOLD 0.1µm min.					
		LEAD AREA: GOLD FLASH					
		UNDER PLATING: NICKEL 0.5µm min.					
UNITS	\odot \square	SCALE	COUNT	DESCRIPTION OF REVISIONS	DESIGNED	CHECKED	DATE
mm		FREE	\triangle 1	DIS-F-006425	CR. TAKESHIMA	HT. YAMAGUCHI	12. 10. 15
APPROVED : KJ. KATAYOSE		05. 01. 05		DRAWING NO.		EDC3-151022-22	
CHECKED : HS. OKAWA		05. 01. 05		PART NO.		FX8C- * S - SV (92)	
DESIGNED : KT. DOI		05. 01. 05		CODE NO.			
DRAWN : KT. DOI		05. 01. 05					

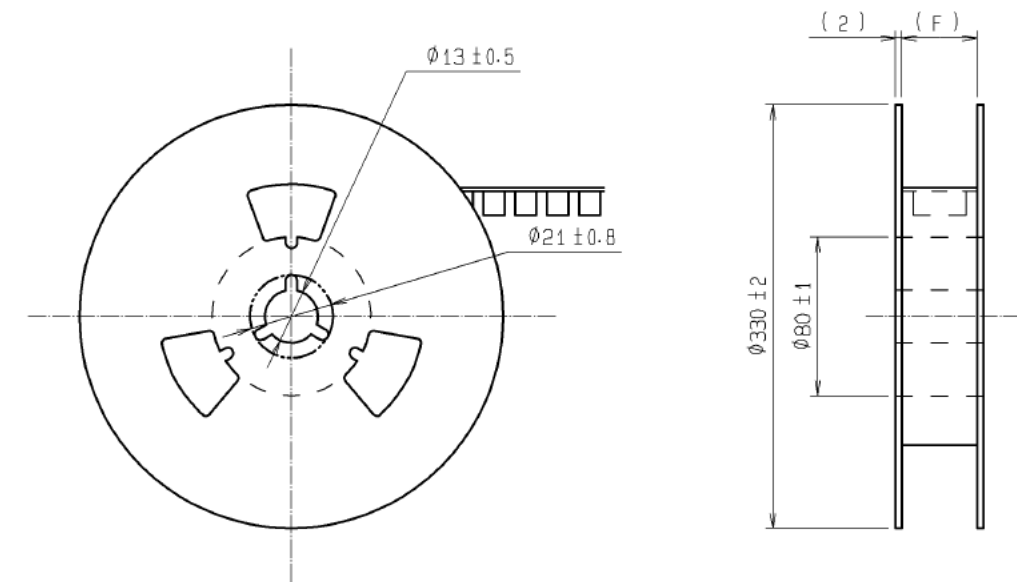
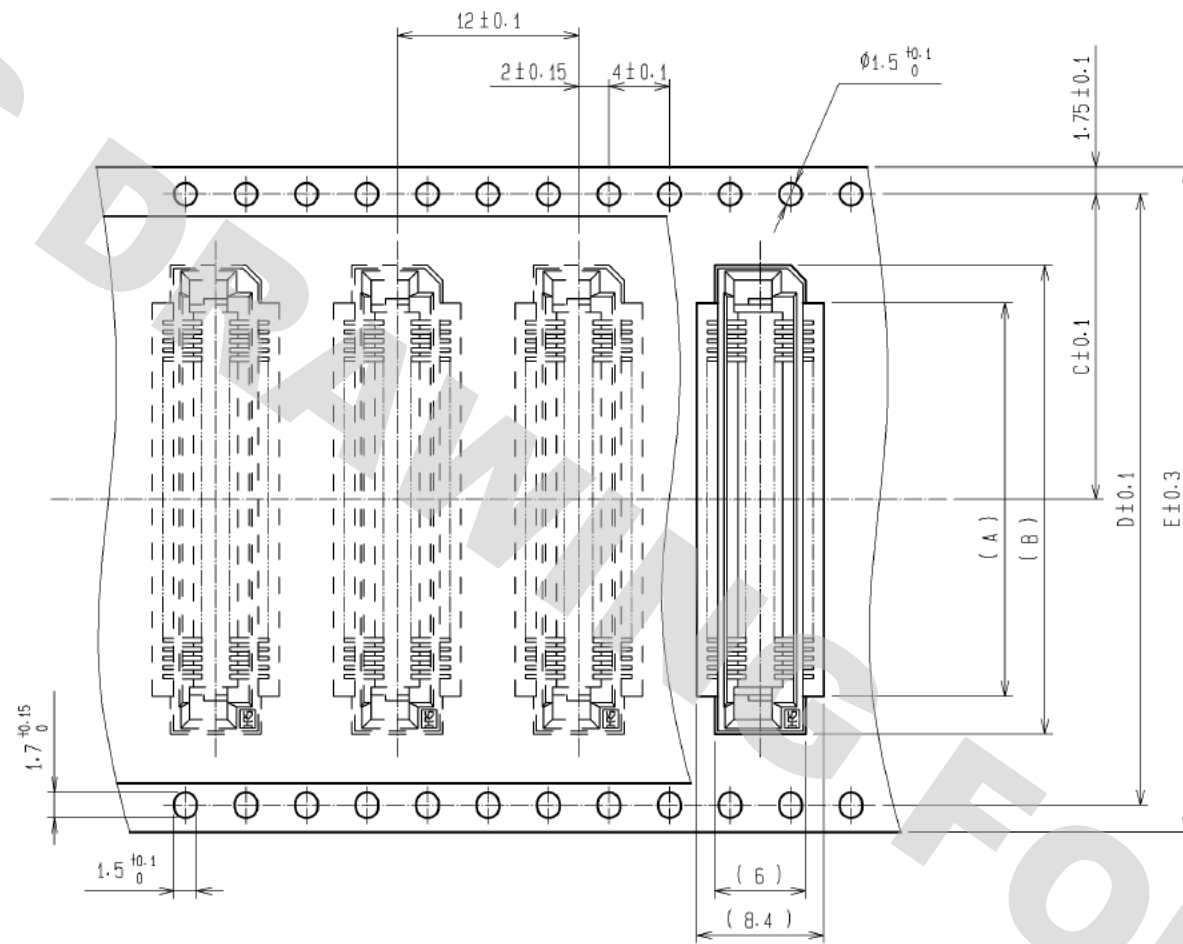
DRAWING FOR REFERENCE: This is subject to change without notice
05/31/2013

DRAWING FOR PACKING (2:1)

UNREELING DIRECTION



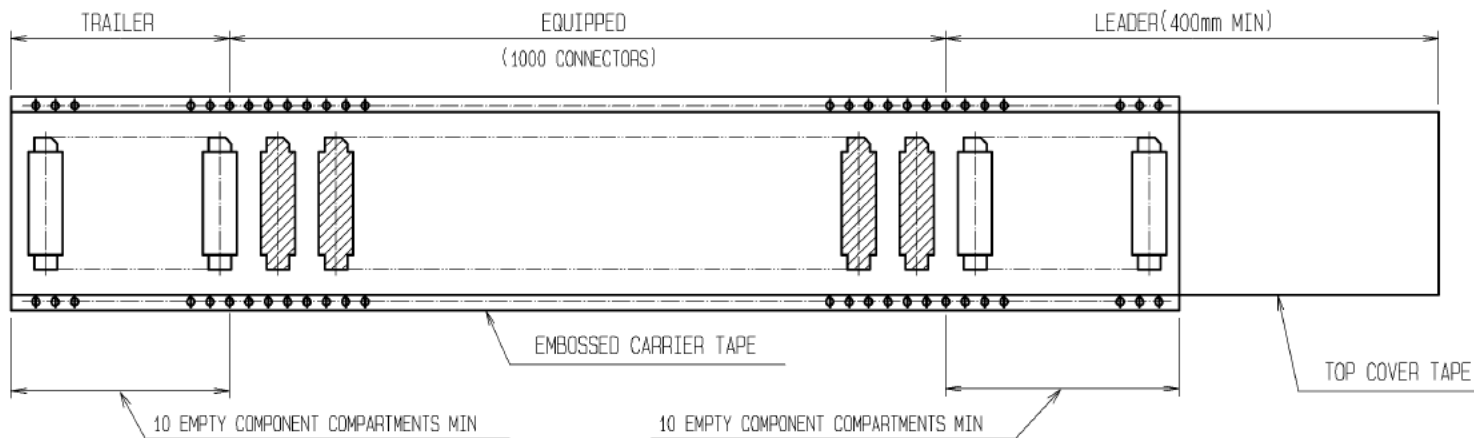
REEL DIMENSION



△ DIMENSION TABLE OF EMBOSSED CARRIER TAPE AND REEL.

PART No.	CODE No.	②	A	B	C	D	E	F
FX8C-60S-SV(92)	CL578-0801-2-92	60	20	25	20.2	40.4	44	44.4
FX8C-80S-SV(92)	CL578-0803-8-92	80	26	31	20.2	40.4	44	44.4
FX8C-100S-SV(92)	CL578-0805-3-92	100	32	37	26.2	52.4	56	56.4
FX8C-120S-SV(92)	CL578-0806-6-92	120	38	43	26.2	52.4	56	56.4
FX8C-140S-SV(92)	CL578-0807-9-92	140	44	49	34.2	68.4	72	72.4

NOTE 1 1 REEL : 1000 CONNECTORS
② NUMBER OF CONTACTS



HRS	DRAWING NO.	EDC3-151022-22
	PART NO.	FX8C-*S-SV(92)
	CODE NO.	