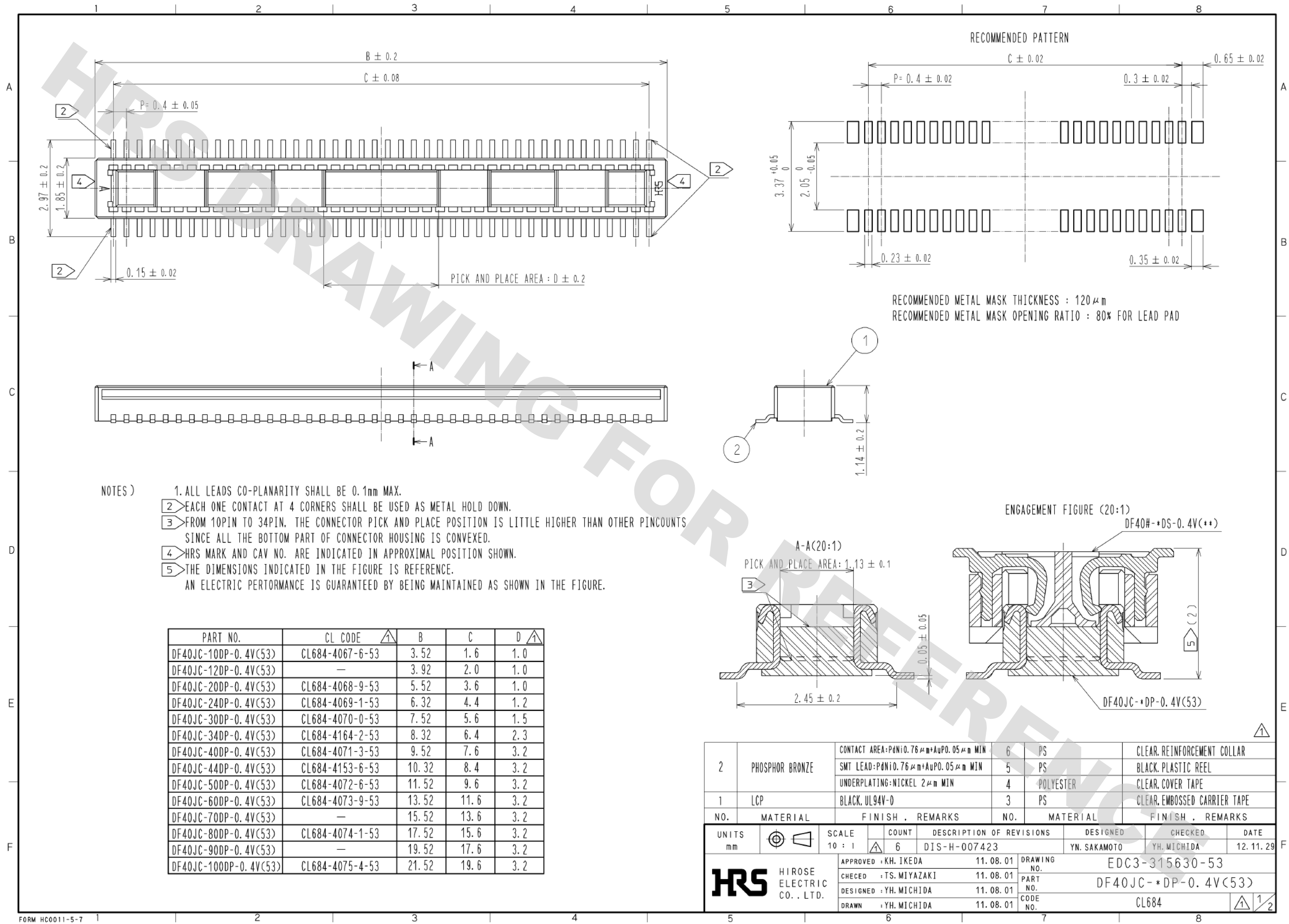


DRAWING FOR REFERENCE: This is subject to change without notice
05/31/2013



- NOTES)
- 1. ALL LEADS CO-PLANARITY SHALL BE 0.1mm MAX.
 - 2. EACH ONE CONTACT AT 4 CORNERS SHALL BE USED AS METAL HOLD DOWN.
 - 3. FROM 10PIN TO 34PIN, THE CONNECTOR PICK AND PLACE POSITION IS LITTLE HIGHER THAN OTHER PINCOUNTS SINCE ALL THE BOTTOM PART OF CONNECTOR HOUSING IS CONVEXED.
 - 4. HRS MARK AND CAV NO. ARE INDICATED IN APPROXIMAL POSITION SHOWN.
 - 5. THE DIMENSIONS INDICATED IN THE FIGURE IS REFERENCE.
AN ELECTRIC PERFORMANCE IS GUARANTEED BY BEING MAINTAINED AS SHOWN IN THE FIGURE.

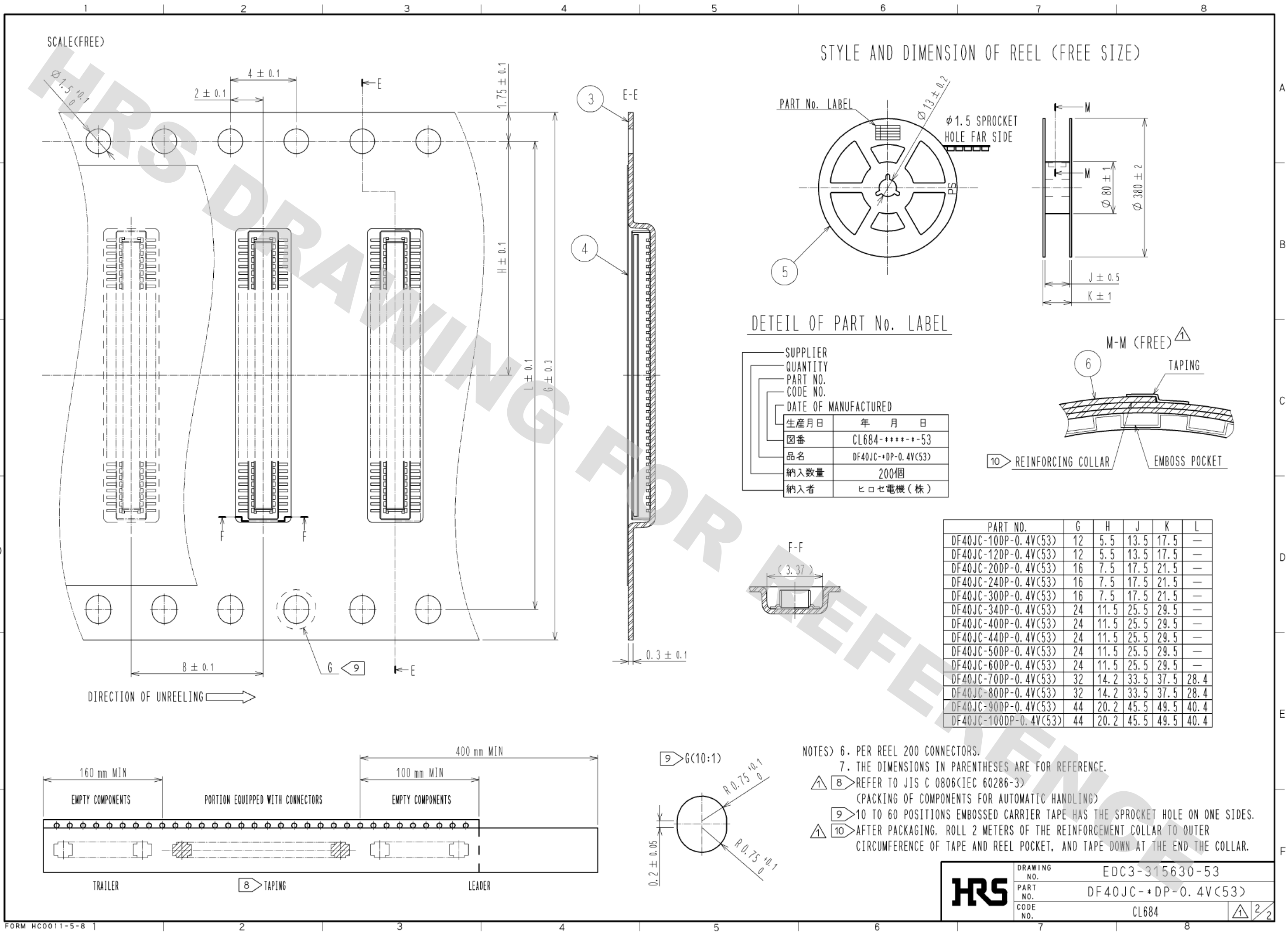
PART NO.	CL CODE	B	C	D
DF40JC-10DP-0.4V(53)	CL684-4067-6-53	3.52	1.6	1.0
DF40JC-12DP-0.4V(53)	—	3.92	2.0	1.0
DF40JC-20DP-0.4V(53)	CL684-4068-9-53	5.52	3.6	1.0
DF40JC-24DP-0.4V(53)	CL684-4069-1-53	6.32	4.4	1.2
DF40JC-30DP-0.4V(53)	CL684-4070-0-53	7.52	5.6	1.5
DF40JC-34DP-0.4V(53)	CL684-4164-2-53	8.32	6.4	2.3
DF40JC-40DP-0.4V(53)	CL684-4071-3-53	9.52	7.6	3.2
DF40JC-44DP-0.4V(53)	CL684-4153-6-53	10.32	8.4	3.2
DF40JC-50DP-0.4V(53)	CL684-4072-6-53	11.52	9.6	3.2
DF40JC-60DP-0.4V(53)	CL684-4073-9-53	13.52	11.6	3.2
DF40JC-70DP-0.4V(53)	—	15.52	13.6	3.2
DF40JC-80DP-0.4V(53)	CL684-4074-1-53	17.52	15.6	3.2
DF40JC-90DP-0.4V(53)	—	19.52	17.6	3.2
DF40JC-100DP-0.4V(53)	CL684-4075-4-53	21.52	19.6	3.2

NO.	MATERIAL	FINISH . REMARKS	NO.	MATERIAL	FINISH . REMARKS
2	PHOSPHOR BRONZE	CONTACT AREA: PdNi0.76μm+AuPO.05μm MIN SMT LEAD: PdNi0.76μm+AuPO.05μm MIN UNDERPLATING: NICKEL 2μm MIN	6	PS	CLEAR. REINFORCEMENT COLLAR
			5	PS	BLACK. PLASTIC REEL
			4	POLYESTER	CLEAR. COVER TAPE
1	LCP	BLACK. UL94V-0	3	PS	CLEAR. EMBOSSED CARRIER TAPE

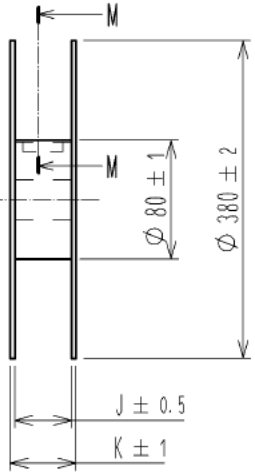
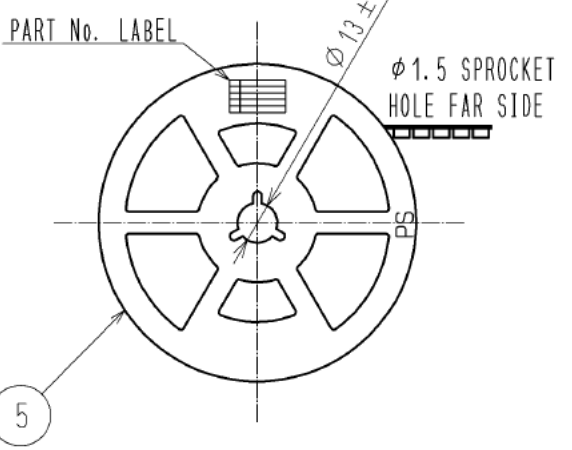
UNITS	SCALE	COUNT	DESCRIPTION OF REVISIONS	DESIGNED	CHECKED	DATE
mm	10 : 1	6	DIS-H-007423	YN. SAKAMOTO	YH. MICHIDA	12. 11. 29

APPROVED : KH. IKEDA	11. 08. 01	DRAWING NO.	EDC3-315630-53
CHECED : TS. MIYAZAKI	11. 08. 01	PART NO.	DF40JC- *DP-0. 4V(53)
DESIGNED : YH. MICHIDA	11. 08. 01	CODE NO.	CL684
DRAWN : YH. MICHIDA	11. 08. 01		

DRAWING FOR REFERENCE: This is subject to change without notice
05/31/2013

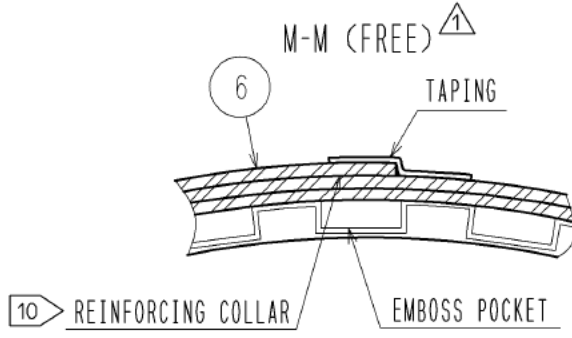


STYLE AND DIMENSION OF REEL (FREE SIZE)



DETAIL OF PART No. LABEL

SUPPLIER	
QUANTITY	
PART NO.	
CODE NO.	
DATE OF MANUFACTURED	
生産月日	年 月 日
☒番	CL684-****-*-53
品名	DF40JC-4DP-0.4V(53)
納入数量	200個
納入者	ヒロセ電機(株)



PART NO.	G	H	J	K	L
DF40JC-10DP-0.4V(53)	12	5.5	13.5	17.5	—
DF40JC-12DP-0.4V(53)	12	5.5	13.5	17.5	—
DF40JC-20DP-0.4V(53)	16	7.5	17.5	21.5	—
DF40JC-24DP-0.4V(53)	16	7.5	17.5	21.5	—
DF40JC-30DP-0.4V(53)	16	7.5	17.5	21.5	—
DF40JC-34DP-0.4V(53)	24	11.5	25.5	29.5	—
DF40JC-40DP-0.4V(53)	24	11.5	25.5	29.5	—
DF40JC-44DP-0.4V(53)	24	11.5	25.5	29.5	—
DF40JC-50DP-0.4V(53)	24	11.5	25.5	29.5	—
DF40JC-60DP-0.4V(53)	24	11.5	25.5	29.5	—
DF40JC-70DP-0.4V(53)	32	14.2	33.5	37.5	28.4
DF40JC-80DP-0.4V(53)	32	14.2	33.5	37.5	28.4
DF40JC-90DP-0.4V(53)	44	20.2	45.5	49.5	40.4
DF40JC-100DP-0.4V(53)	44	20.2	45.5	49.5	40.4

- NOTES) 6. PER REEL 200 CONNECTORS.
 7. THE DIMENSIONS IN PARENTHESES ARE FOR REFERENCE.
 8 REFER TO JIS C 0806(IEC 60286-3)
 (PACKING OF COMPONENTS FOR AUTOMATIC HANDLING)
 9 10 TO 60 POSITIONS EMBOSSED CARRIER TAPE HAS THE SPROCKET HOLE ON ONE SIDES.
 10 AFTER PACKAGING, ROLL 2 METERS OF THE REINFORCEMENT COLLAR TO OUTER CIRCUMFERENCE OF TAPE AND REEL POCKET, AND TAPE DOWN AT THE END THE COLLAR.

HRS	DRAWING NO.	EDC3-315630-53
	PART NO.	DF40JC-4DP-0.4V(53)
	CODE NO.	CL684