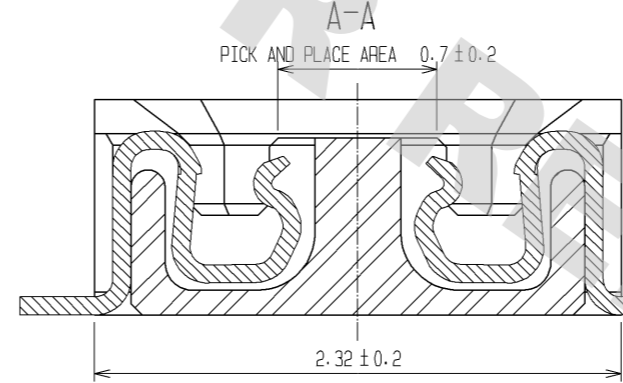
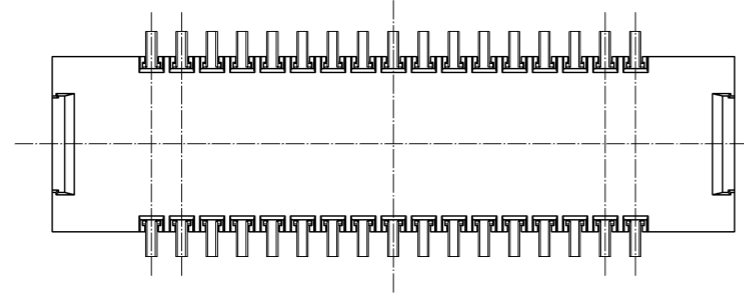
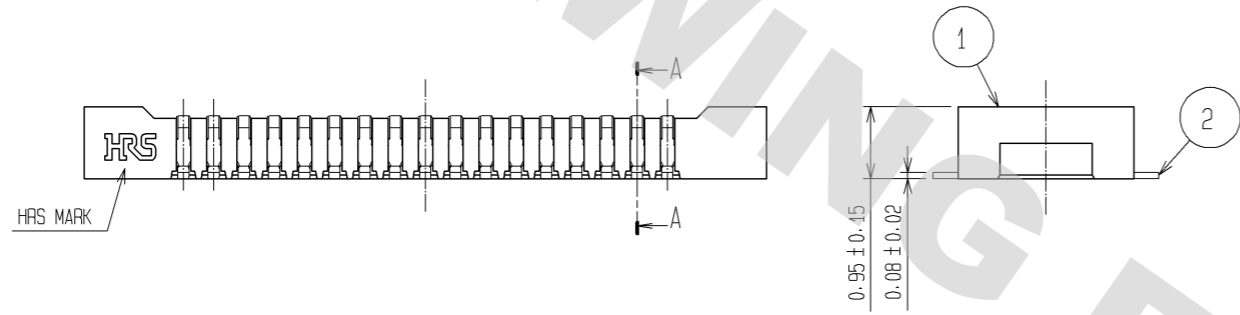
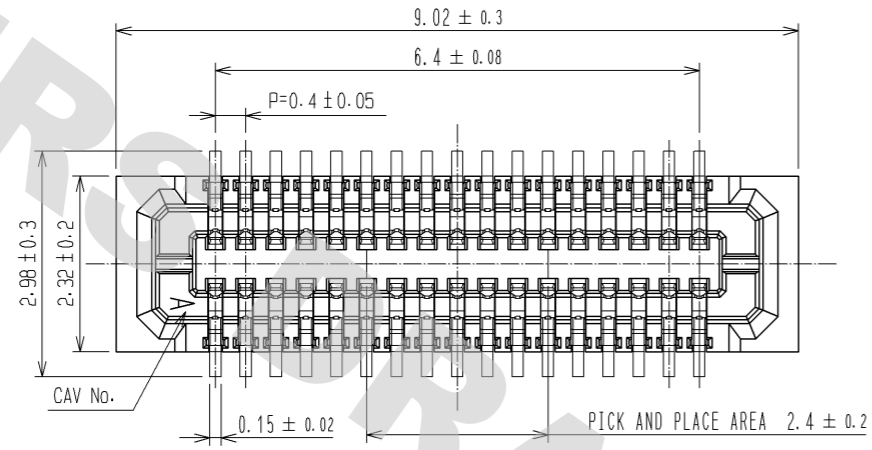
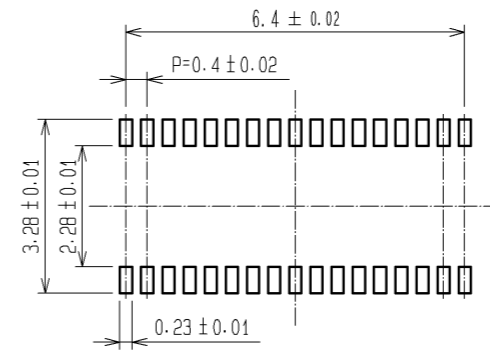


DRAWING FOR REFERENCE: This is subject to change without notice
08/11/2012

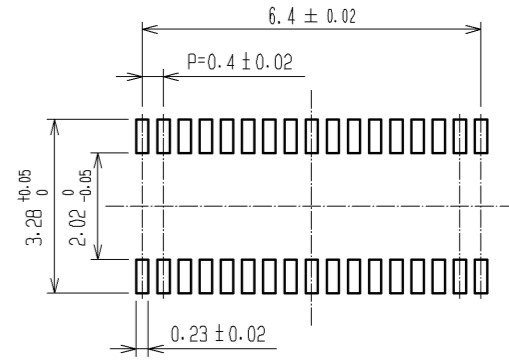


RECOMMENDED METAL MASK
OPENING PATTERN

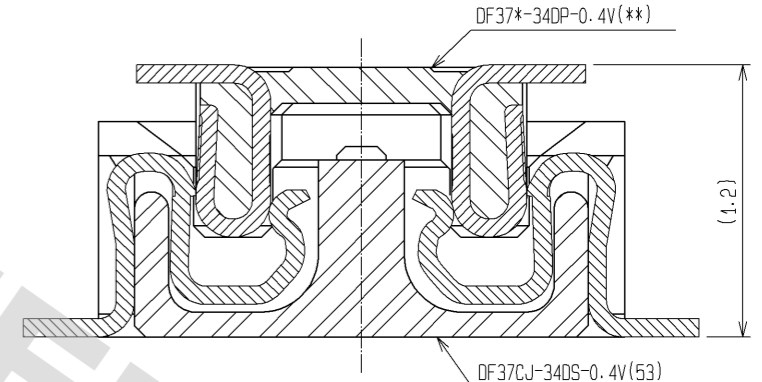


RECOMMENDED SOLDER PASTE: THICKNESS 120µm

RECOMMENDED PATTERN



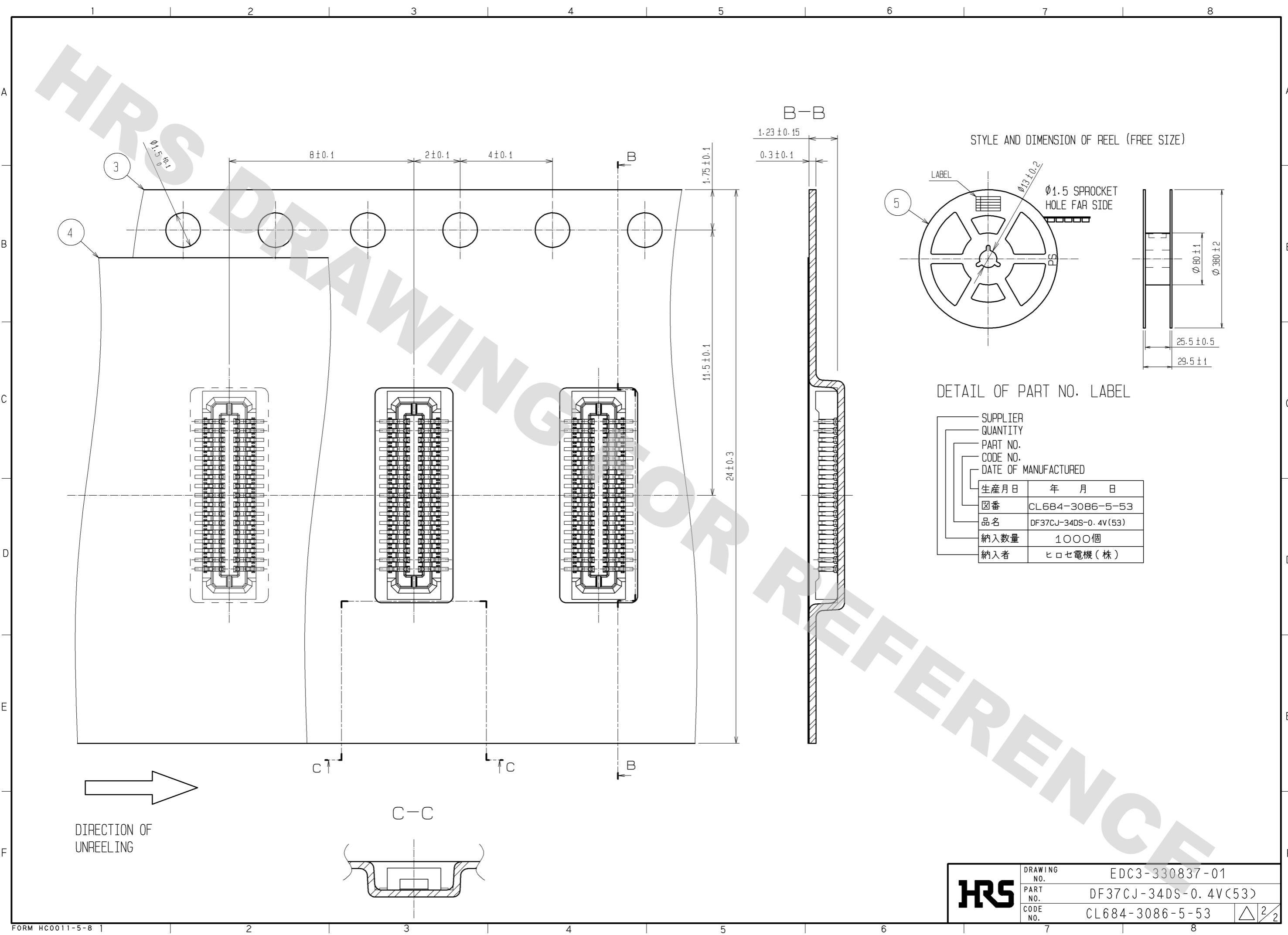
ENGAGEMENT FIGURE



- NOTE 1. ALL LEADS CO-PLANARITY SHALL BE 0.1 MAX.
 2. PER REEL : 1000 CONNECTORS.
 3. AT THE BEGINNING OF THE REEL, 100 mm AT MIN SHALL BE EMPTY POCKETS.
 AT THE END OF THE REEL, 160 mm AT MIN SHALL BE EMPTY.
 4. CONTACT PLATING SPECIFICATIONS.
 CONTACT AREA : GOLD 0.05µm MIN.
 SMT LEAD : GOLD 0.05µm MIN.
 UNDERPLATING : NICKEL 1µm MIN.
 (SURFACE : SEALING)
 5. PEEL FORCE OF COVER TAPE REFERS TO JIS C 0806.
 6. PROTRUTION OF CONTACT FROM HOUSING UNDERSIDE.

| 2 | PHOSPHOR BRONZE | 4 | 5 | PS | PLASTIC REEL (BLACK) | | | |
|-------------------------------|-----------------|------------------------|----------|-------------------------------|-----------------------------|----------|---------|------|
| 1 | LCP | UL94V-0, BLACK | 4 | POLYESTER | CLEAR(COVER TAPE) | | | |
| | | | 3 | PS | CLEAR(EMBOSSD CARRIER TAPE) | | | |
| NO. | MATERIAL | FINISH, REMARKS | NO. | MATERIAL | FINISH, REMARKS | | | |
| UNITS | mm | SCALE | FREE | COUNT | DESCRIPTION OF REVISIONS | DESIGNED | CHECKED | DATE |
| HRS HIROSE ELECTRIC CO., LTD. | | APPROVED : KH. IKEDA | 10.03.29 | DRAWING NO. EDC3-330837-01 | | | | |
| | | CHECED : TS. MIYAZAKI | 10.03.27 | PART NO. DF37CJ-34DS-0.4V(53) | | | | |
| | | DESIGNED : RT. SHIMIZU | 10.03.26 | CODE NO. CL684-3086-5-53 | | | | |
| | | DRAWN : RT. SHIMIZU | 10.03.26 | | | | | |

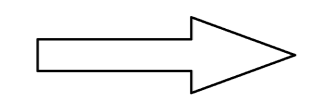
DRAWING FOR REFERENCE: This is subject to change without notice
08/11/2012



STYLE AND DIMENSION OF REEL (FREE SIZE)

DETAIL OF PART NO. LABEL

| | |
|----------------------|----------------------|
| SUPPLIER | |
| QUANTITY | |
| PART NO. | |
| CODE NO. | |
| DATE OF MANUFACTURED | |
| 生産月日 | 年 月 日 |
| 図番 | CL684-3086-5-53 |
| 品名 | DF37CJ-34DS-0.4V(53) |
| 納入数量 | 1000個 |
| 納入者 | ヒロセ電機(株) |



DIRECTION OF UNREELING

| | | |
|------------|-------------|----------------------|
| HRS | DRAWING NO. | EDC3-330837-01 |
| | PART NO. | DF37CJ-34DS-0.4V(53) |
| | CODE NO. | CL684-3086-5-53 |
| | | △ 2/2 |