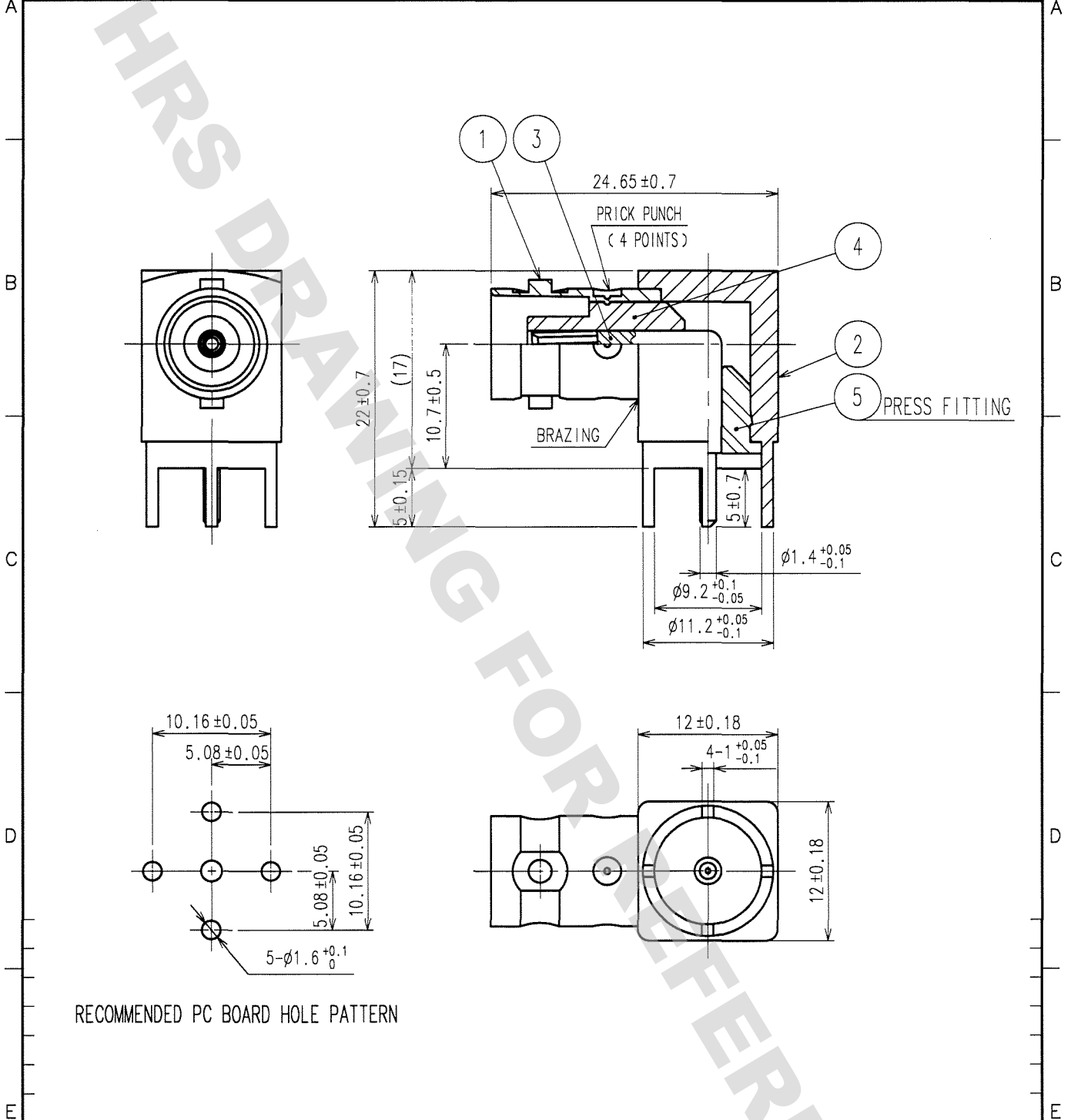


DRAWING FOR REFERENCE: This is subject to change without notice
08/11/2012

1		2			3			4		
COUNT	DESCRIPTION OF REVISIONS	BY	CHKD	DATE	COUNT	DESCRIPTION OF REVISIONS	BY	CHKD	DATE	
△					△					
△					△					
△					△					



RECOMMENDED PC BOARD HOLE PATTERN

3	BERYLLIUM COPPER	SILVER PLATING			
2	BRASS	NICKEL PLATING	5	PTFE	
1	BRASS	NICKEL PLATING	4	PTFE	
NO.	MATERIAL	FINISH, REMARKS	NO.	MATERIAL	FINISH, REMARKS

CODE NO. (OLD)	DRAWN	DESIGNED	CHECKED	APPROVED	RELEASED
CL	<i>Y. Sugiyama</i>	<i>T. Katayama</i>	<i>K. Shimizu</i>	<i>J. Mitsuoka</i>	
	2006.08.09	06.08.10	06.08.10	2006.08.10	

	DRAWING NO.	PART NO.
	EDC4-009061-40	BNC-LR-PC(40)
SCALE 2 : 1 UNITS mm	HIROSE ELECTRIC CO., LTD.	CODE NO. CL302-0242-7-40

TO
RF