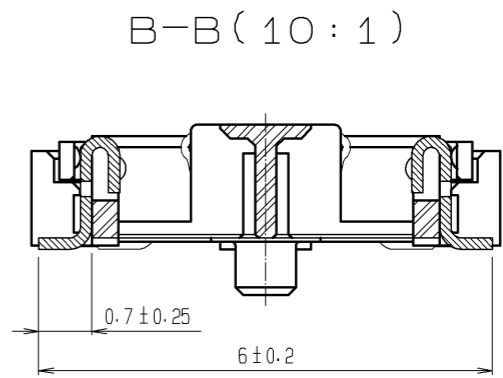
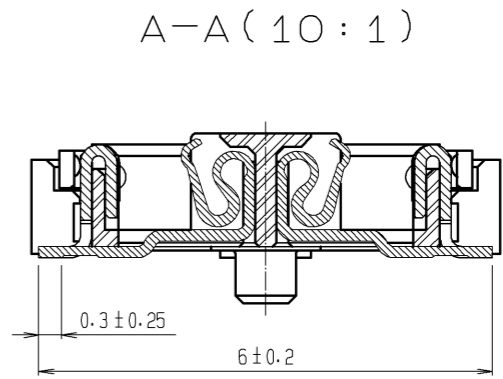
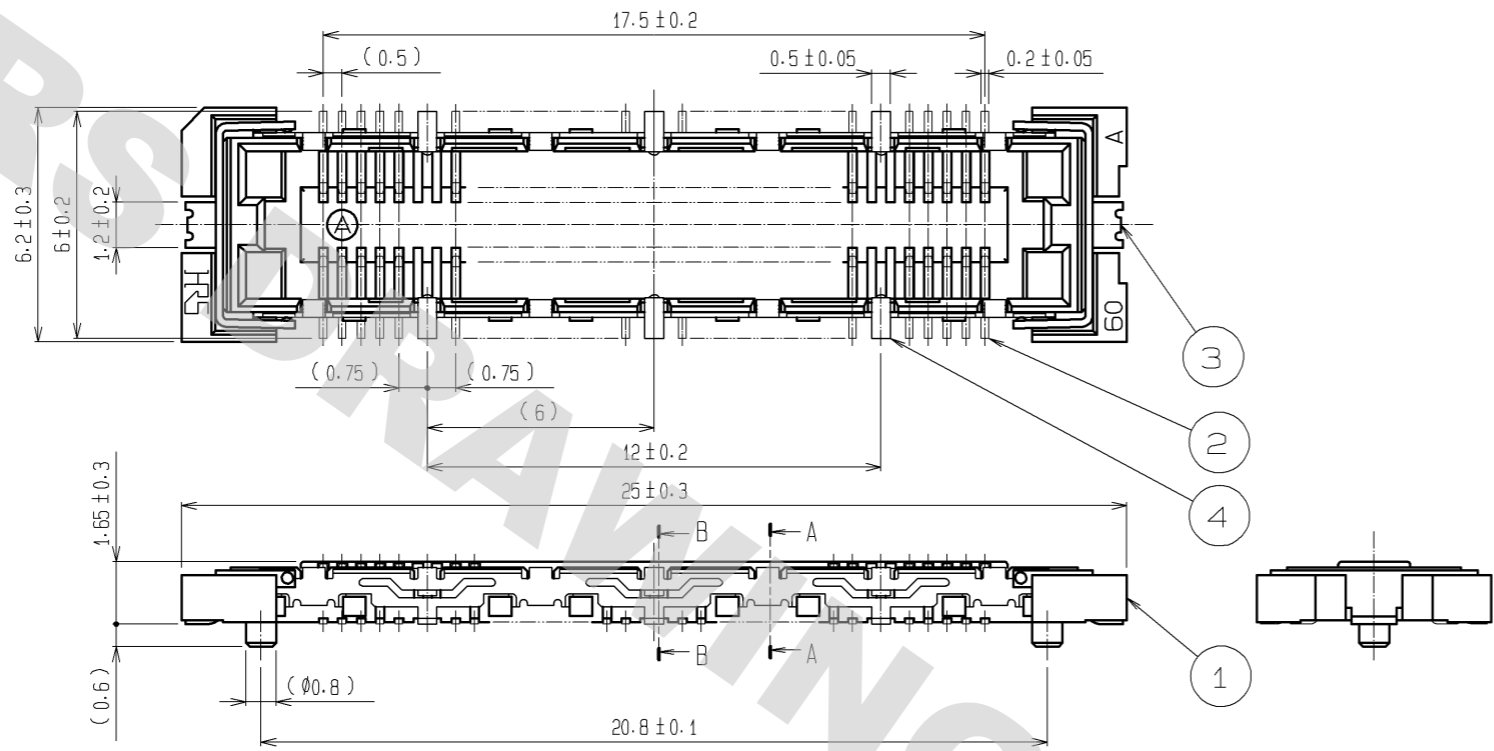
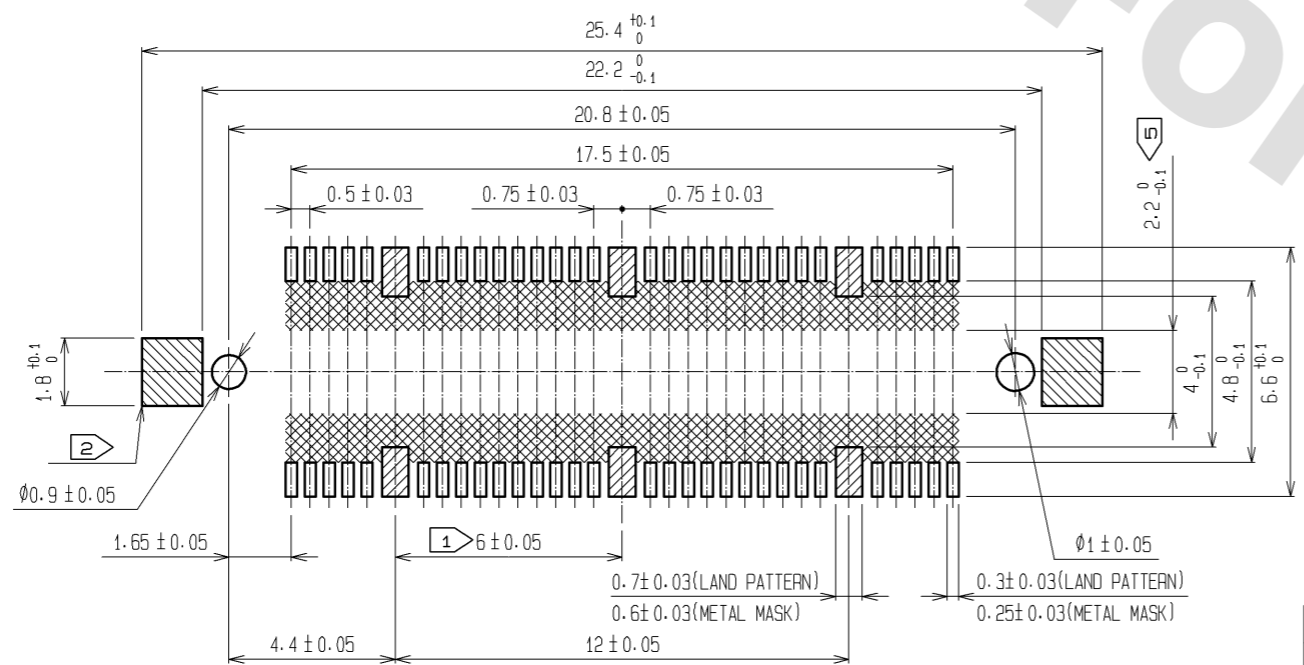


DRAWING FOR REFERENCE: This is subject to change without notice
08/11/2012



RECOMMENDED LAND PATTERN DIMENSION OF PCB
(RECOMMENDED METAL MASK THICKNESS: 0.15mm)

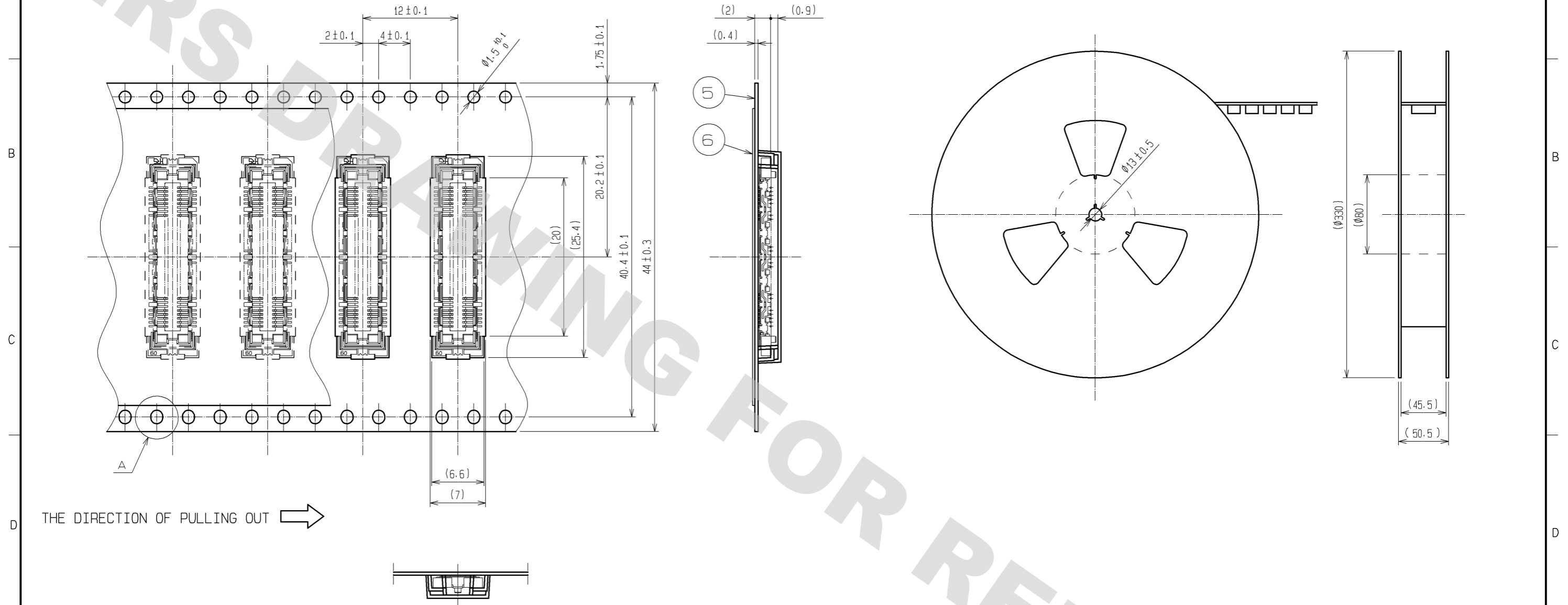


- NOTES
- ① 6 HATCHED PARTS: GROUND CIRCUIT.
 - ② 2 HATCHED PARTS: GROUND CIRCUIT.
 - ③ SMT LEAD-COPLANARITY: 0.1 MAX.
 - ④ THIS PRODUCT HAS NO POLARITY TO PATTERN FOR MOUNTING.
 - ⑤ MAKE SURE WIDTH OF PATTERN IS WITHIN THAT OF LAND .OR LEAD MAY TOUCH PATTERN. (THIS APPLIES TO HATCHED AREA.)
 - ⑥ TO BE EMBOSSED CARRIER TAPED AS SPECIFIED IN SHEET 2.
 - ⑦ THE DIMENSIONS IN PARENTHESES ARE FOR REFERENCE.

3, 4	PHOSPHOR BRONZE	TIN PLATING			
		CONTACT AREA : GOLD 0.1µm min.			
2	PHOSPHOR BRONZE	LEAD AREA : GOLD FLASH			
		UNDER PLATING : NICKEL 1µm min.	6	PET	(TOP COVER TAPE)
1	LCP	BEIGE UL94V-0	5	PS	(EMBOSSED CARRIER TAPE)
NO.	MATERIAL	FINISH . REMARKS	NO.	MATERIAL	FINISH . REMARKS
UNITS		SCALE	COUNT	DESCRIPTION OF REVISIONS	
mm		5 : 1	△	DESIGNED	CHECKED
HRS HIROSE ELECTRIC CO., LTD.		APPROVED : HS. OKAWA	09.05.22	DRAWING NO. EDC3-152108-21	
		CHECED : HT. YAMAGUCHI	09.05.22	PART NO. FX11LA-60S/6-SV(91)	
		DESIGNED : YN. TAKANO	09.05.21	CODE NO. CL573-0102-1-91	
		DRAWN : HK. SUNADORI	09.05.20	△ 1/2	

DRAWING FOR PACKING(2:1)

REELED DIMENSION(Free)



THE DIRECTION OF PULLING OUT →

A(5:1)

- NOTES
- 1 REEL : 1000 CONNECTORS.
 - 2 MINIMUM 10 COMPARTMENTS FROM BOTH REEL ENDS REMAIN EMPTY.
 - 3 THIS PRODUCT HAS NO POLARITY TO TAPE AND REEL PACKAGING.
 - 4 THE DIMENSIONS IN PARENTHESSES ARE FOR REFERENCE.

HRS	DRAWING NO.	EDC3-152108-21
	PART NO.	FX11LA-60S/6-SV(91)
	CODE NO.	CL573-0102-1-91
		\triangle 2/2

DRAWING FOR REFERENCE: This is subject to change without notice
08/11/2012