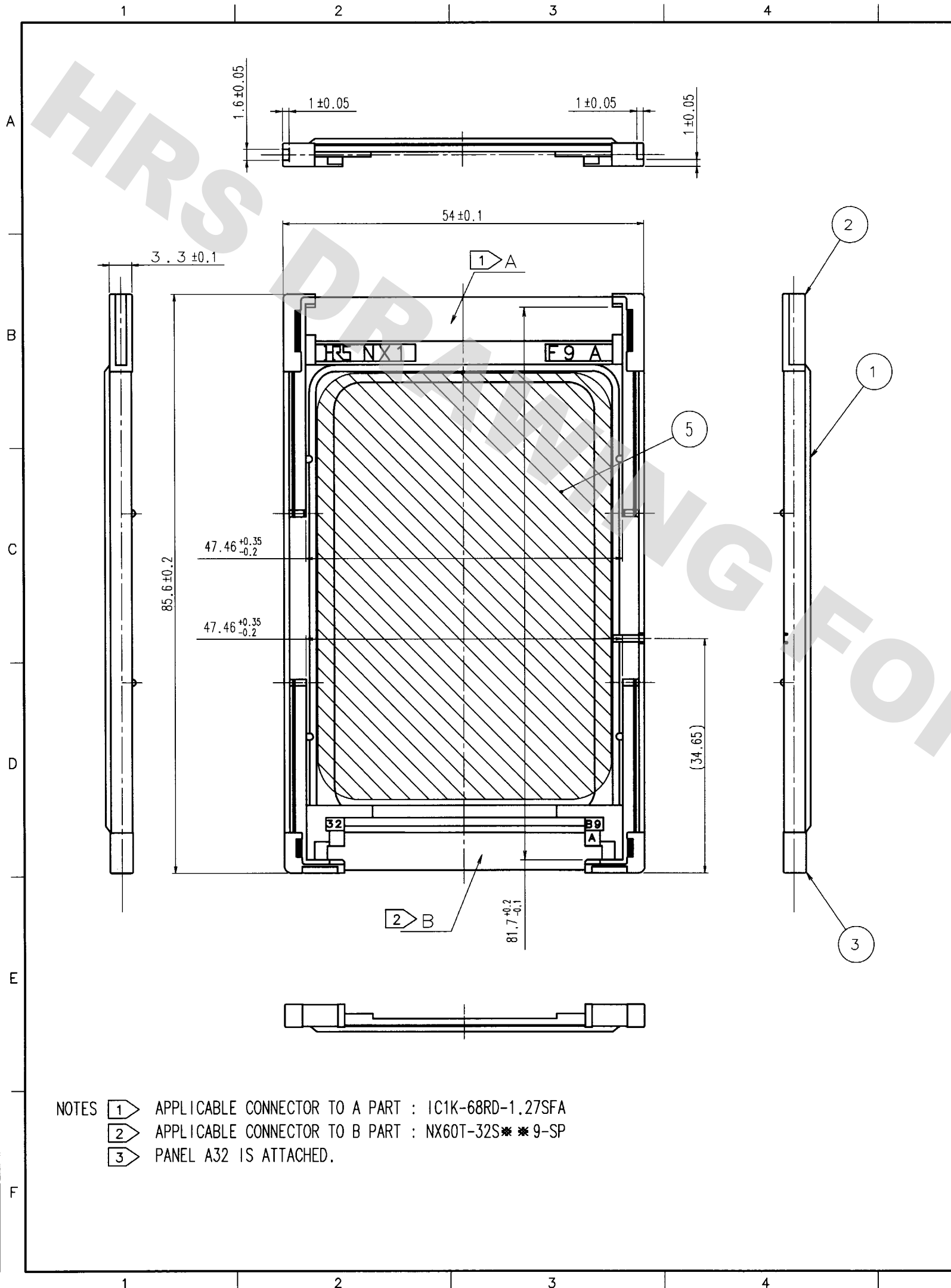
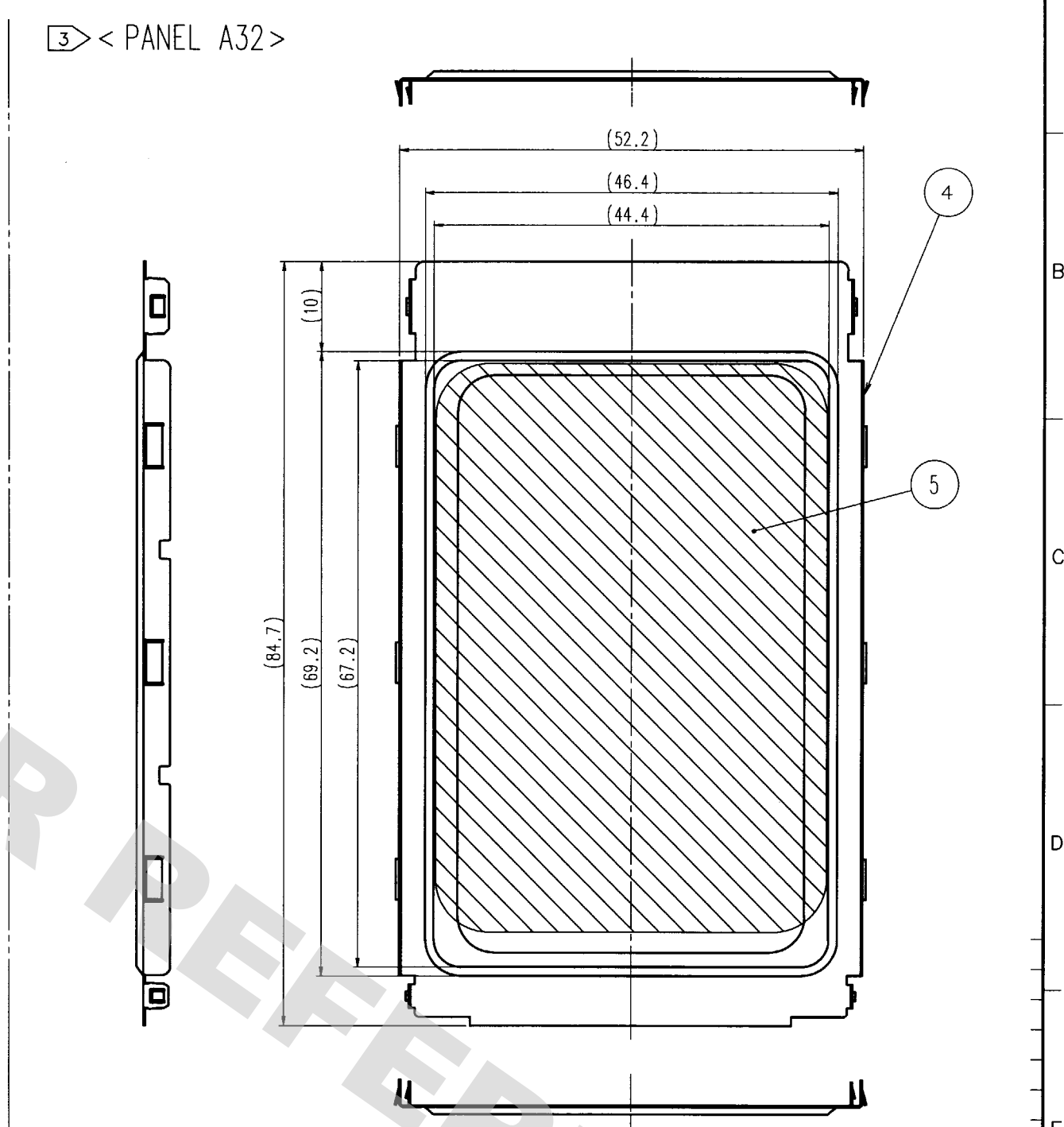


DRAWING FOR REFERENCE: This is subject to change without notice  
08/11/2012

TO  
PCK



COUNT	DESCRIPTION OF REVISIONS	BY	CHKD	DATE	COUNT	DESCRIPTION OF REVISIONS	BY	CHKD	DATE



- NOTES
- 1 APPLICABLE CONNECTOR TO A PART : IC1K-68RD-1.27SFA
  - 2 APPLICABLE CONNECTOR TO B PART : NX60T-32S\*\*9-SP
  - 3 PANEL A32 IS ATTACHED.

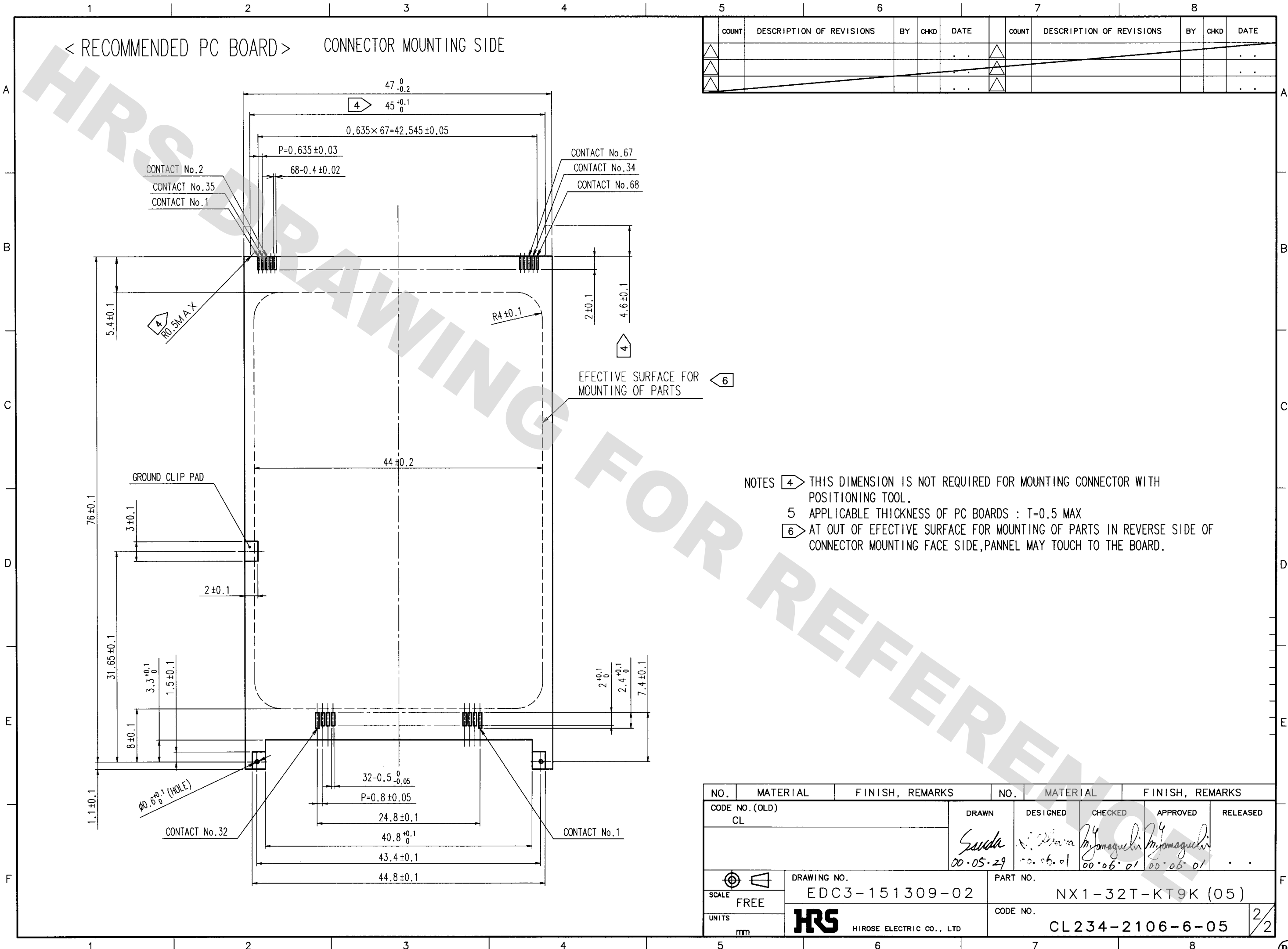
NO.	MATERIAL	FINISH, REMARKS	NO.	MATERIAL	FINISH, REMARKS
2	PBT	(BLACK) UL94V-0	5	POLYESTER	(BLACK) UL510-FR
1	STAINLESS STEEL	DULL PROCESSING MATERIAL	4	STAINLESS STEEL	DULL PROCESSING MATERIAL
			3	PBT	(BLACK) UL94V-0

CODE NO. (OLD) CL	DRAWN <i>Suda</i> 00-05-29	DESIGNED <i>S. Oshiro</i> 00-06-01	CHECKED <i>M. Yamaguchi</i> 00-06-01	APPROVED <i>M. Yamaguchi</i> 00-06-01	RELEASED
----------------------	----------------------------------	--	--	---	----------

SCALE FREE	DRAWING NO. EDC3-151309-02	PART NO. NX1-32T-KT9K (05)
UNITS mm	<b>HRS</b> HIROSE ELECTRIC CO., LTD	CODE NO. CL234-2106-6-05

DRAWING FOR REFERENCE: This is subject to change without notice  
08/11/2012

TO  
PCK



COUNT	DESCRIPTION OF REVISIONS	BY	CHKD	DATE	COUNT	DESCRIPTION OF REVISIONS	BY	CHKD	DATE

NOTES  
 4 THIS DIMENSION IS NOT REQUIRED FOR MOUNTING CONNECTOR WITH POSITIONING TOOL.  
 5 APPLICABLE THICKNESS OF PC BOARDS : T=0.5 MAX  
 6 AT OUT OF EFFECTIVE SURFACE FOR MOUNTING OF PARTS IN REVERSE SIDE OF CONNECTOR MOUNTING FACE SIDE, PANNEL MAY TOUCH TO THE BOARD.

NO.	MATERIAL	FINISH, REMARKS	NO.	MATERIAL	FINISH, REMARKS

CODE NO. (OLD) CL	DRAWN <i>Saida</i> 00-05-29	DESIGNED <i>Miyama</i> 00-06-01	CHECKED <i>Miyama</i> 00-06-01	APPROVED <i>Miyama</i> 00-06-01	RELEASED
DRAWING NO. EDC3-151309-02		PART NO. NX1-32T-KT9K (05)			
UNITS mm		CODE NO. CL234-2106-6-05			2/2