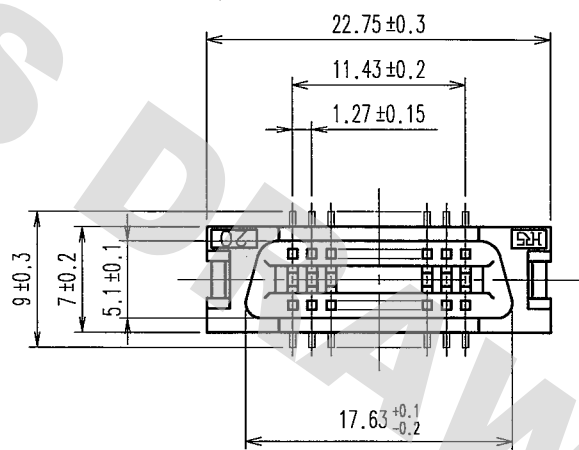


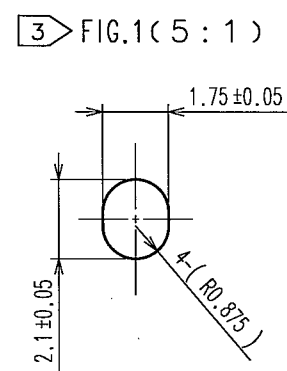
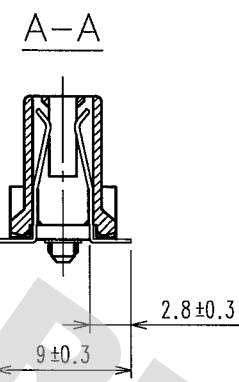
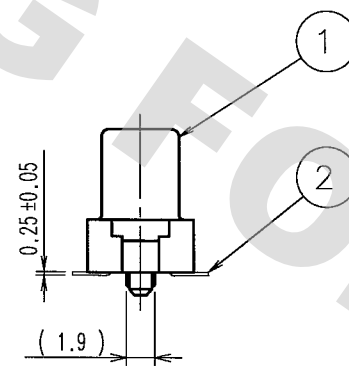
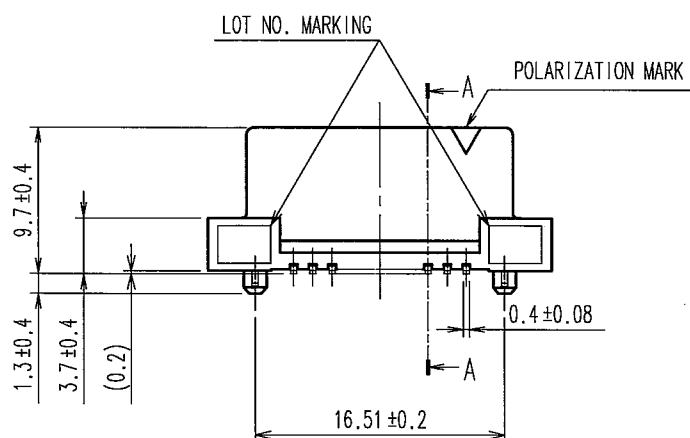
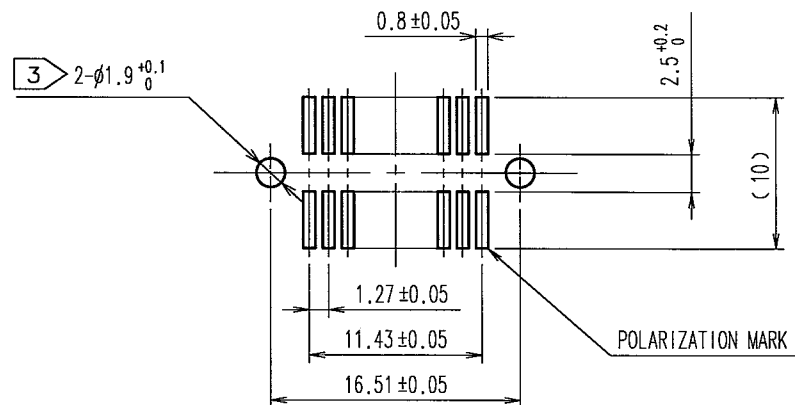
DRAWING FOR REFERENCE: This is subject to change without notice  
08/11/2012

TO
PCK

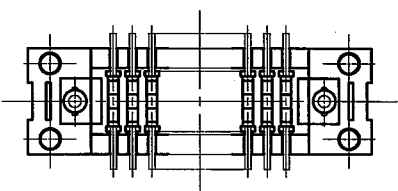
COUNT	DESCRIPTION OF REVISIONS	BY	CHKD	DATE	COUNT	DESCRIPTION OF REVISIONS	BY	CHKD	DATE



RECOMMENDED LAND PATTERN DIMENSION OF PCB (MOUNTING SIDE)



- NOTES
- 1 LEAD CO-PLANARITY SHALL BE 0.15 MAX.
  - 2 THE DIMENSIONS IN PARENTHESES ARE FOR REFERENCE.
  - 3 IN CASE OF THE AUTOMATED MOUNTING, RECOMMENDED HOLE DIAMETER OF BOSS IS SHOWN IN FIG.1.



1	PPS	LIGHT BROWN (UL94V-0)	2	PHOSPHOR BRONZE	CONTACT AREA: GOLD 0.2μ m min. LEAD AREA: TIN-PLATING 2μ m min. UNDER PLATING: NICKEL 1.5μ m min.
NO.	MATERIAL	FINISH, REMARKS	NO.	MATERIAL	FINISH, REMARKS
CODE NO. (OLD) CL	DRAWN A. SUZUKAWA 06.03.07		DESIGNED <i>M. Nakamura</i> 06.03.10	CHECKED <i>J. Ozawa</i> 06.03.10	APPROVED <i>H. Okawa</i> 06.03.13
SCALE 2 : 1	DRAWING NO. EDC3-082755-21		PART NO. FX2-20S-1.27SV(71)		
UNITS mm	HRS HIROSE ELECTRIC CO., LTD		CODE NO. CL572-2101-3-71		1/1