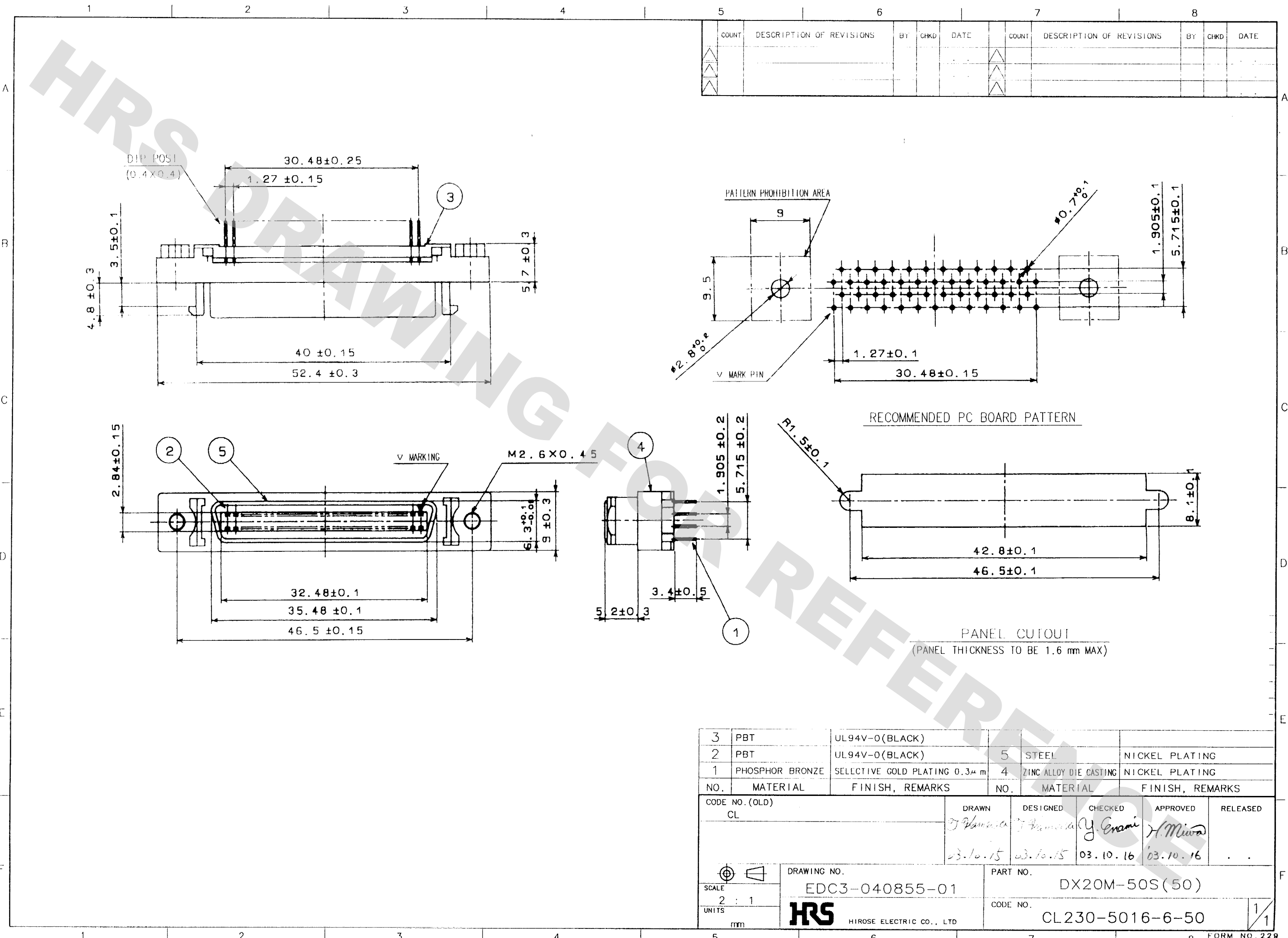


DRAWING FOR REFERENCE: This is subject to change without notice
08/11/2012

TO
Q



COUNT	DESCRIPTION OF REVISIONS	BY	CHKD	DATE	COUNT	DESCRIPTION OF REVISIONS	BY	CHKD	DATE

RECOMMENDED PC BOARD PATTERN

PANEL CUTOUT
(PANEL THICKNESS TO BE 1.6 mm MAX)

3	PBT	UL94V-0(BLACK)	5	STEEL	NICKEL PLATING
2	PBT	UL94V-0(BLACK)	4	ZINC ALLOY DIE CASTING	NICKEL PLATING
1	PHOSPHOR BRONZE	SELECTIVE GOLD PLATING 0.3µm			
NO.	MATERIAL	FINISH, REMARKS	NO.	MATERIAL	FINISH, REMARKS

CODE NO. (OLD)	DRAWN	DESIGNED	CHECKED	APPROVED	RELEASED
CL	<i>J. Yamada</i>	<i>J. Yamada</i>	<i>Y. Enami</i>	<i>H. Miwa</i>	
	03.10.15	03.10.15	03.10.16	03.10.16	

SCALE	DRAWING NO.	PART NO.
2 : 1	EDC3-040855-01	DX20M-50S(50)
UNITS	HIROSE ELECTRIC CO., LTD	CODE NO.
mm	HRS	CL230-5016-6-50