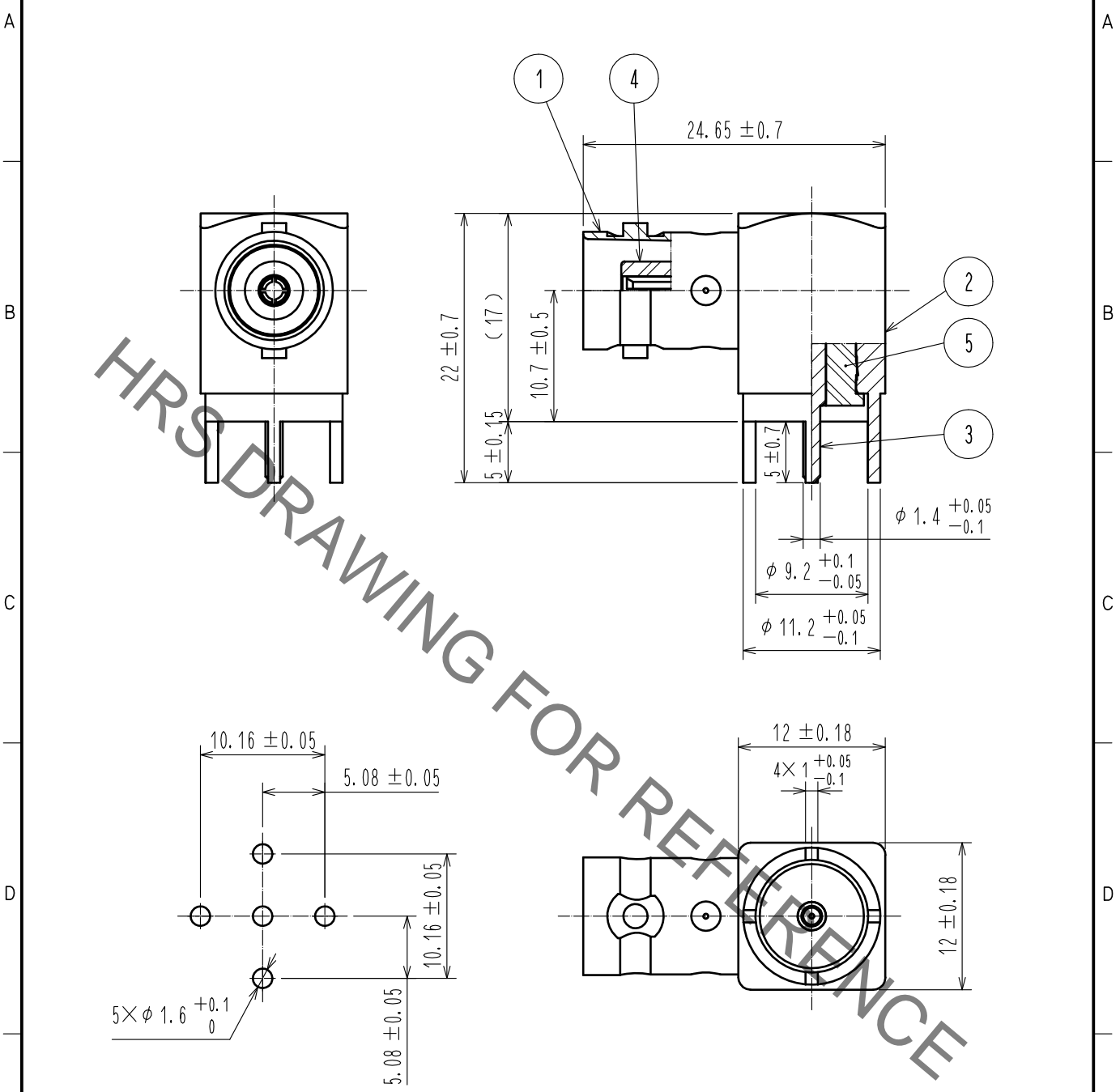


Jun.1.2019 Copyright 2019 HIROSE ELECTRIC CO., LTD. All Rights Reserved.
 In case of consideration for using Automotive equipment / device which demand high reliability, kindly contact our sales window correspondents.

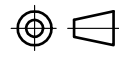
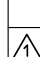
 Redraw


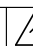


【 RECOMMENDED PC BOARD HOLE PATTERN 】

RoHS COMPLIANT

3	BERYLLIUM COPPER	GOLD PLATING					
2	BRASS	NICKEL PLATING	5	PTFE			
1	BRASS	NICKEL PLATING	4	PTFE			
NO.	MATERIAL	FINISH .	REMARKS	NO.	MATERIAL	FINISH .	REMARKS

UNITS mm		SCALE 2 : 1	COUNT  1	DESCRIPTION OF REVISIONS DIS-D-00002637	DESIGNED YI. FUNADA	CHECKED TO. KATAYAMA	DATE 17.11.16
-------------	---	----------------	--	--	------------------------	-------------------------	------------------

	HIROSE ELECTRIC CO., LTD.	APPROVED :MH. YAMANE	08.12.11	DRAWING NO.	EDC4-009061-41
		CHECKED :TO. KATAYAMA	08.12.11	PART NO.	BNC-LR-PC(41)
		DESIGNED :NK. OOSAWA	08.12.11	CODE NO.	CL302-0242-7-41
		DRAWN :NK. OOSAWA	08.12.11		 1/1