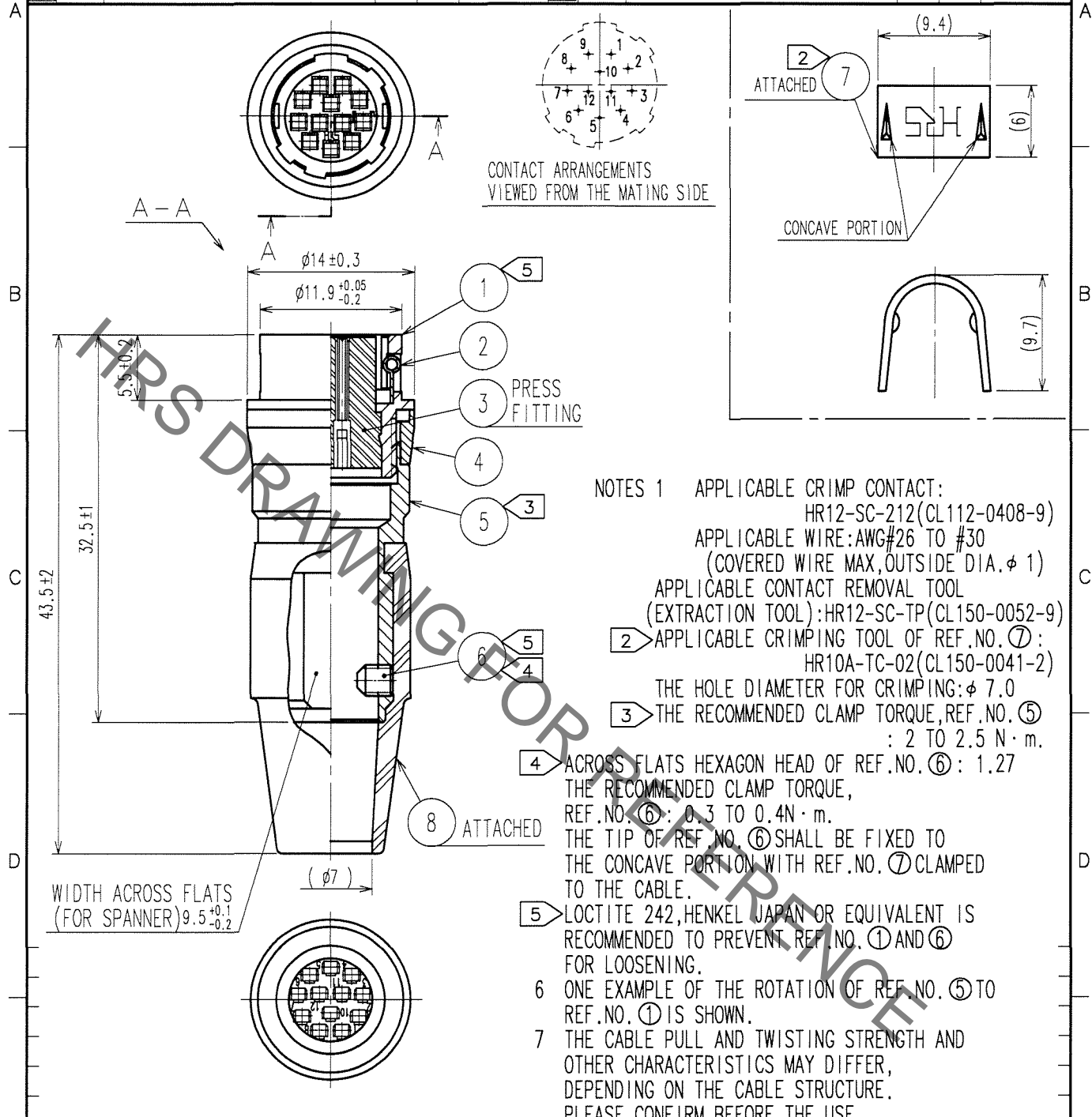


Jun.1.2019 Copyright 2019 HIROSE ELECTRIC CO., LTD. All Rights Reserved.  
In case of consideration for using Automotive equipment / device which demand high reliability, kindly contact our sales window correspondents.

1			2			3			4					
COUNT	DESCRIPTION OF REVISIONS	BY	CHKD	DATE	COUNT	DESCRIPTION OF REVISIONS	BY	CHKD	DATE	COUNT	DESCRIPTION OF REVISIONS	BY	CHKD	DATE
△					△					△				
△					△					△				
△					△					△				



NOTES 1 APPLICABLE CRIMP CONTACT:  
HR12-SC-212(CL112-0408-9)  
APPLICABLE WIRE:AWG#26 TO #30  
(COVERED WIRE MAX,OUTSIDE DIA.φ 1)  
APPLICABLE CONTACT REMOVAL TOOL  
(EXTRACTION TOOL):HR12-SC-TP(CL150-0052-9)  
② APPLICABLE CRIMPING TOOL OF REF.NO.⑦:  
HR10A-TC-02(CL150-0041-2)  
THE HOLE DIAMETER FOR CRIMPING:φ 7.0  
③ THE RECOMMENDED CLAMP TORQUE, REF. NO. ⑤  
: 2 TO 2.5 N·m.  
④ ACROSS FLATS HEXAGON HEAD OF REF.NO. ⑥ : 1.27  
THE RECOMMENDED CLAMP TORQUE,  
REF.NO. ⑥ : 0.3 TO 0.4N·m.  
THE TIP OF REF. NO. ⑥ SHALL BE FIXED TO  
THE CONCAVE PORTION WITH REF. NO. ⑦ CLAMPED  
TO THE CABLE.  
⑤ LOCTITE 242, HENKEL JAPAN OR EQUIVALENT IS  
RECOMMENDED TO PREVENT REF. NO. ① AND ⑥  
FOR LOOSENING.  
6 ONE EXAMPLE OF THE ROTATION OF REF. NO. ⑤ TO  
REF. NO. ① IS SHOWN.  
7 THE CABLE PULL AND TWISTING STRENGTH AND  
OTHER CHARACTERISTICS MAY DIFFER,  
DEPENDING ON THE CABLE STRUCTURE.  
PLEASE CONFIRM BEFORE THE USE.

4	BRASS	MATTE FINISH NICKEL PLATED	8	CHLOROPRENE RUBBER (BLACK)	
3	POLYBUTYLENE TEREPHTHALATE (BLACK)	UL94V-0	7	BRASS	
2	STAINLESS STEEL		6	STEEL	NICKEL PLATING M2.6×0.45×3
1	ZINC ALLOY	MATTE FINISH NICKEL PLATED	5	BRASS	MATTE FINISH NICKEL PLATED
NO.	MATERIAL	FINISH, REMARKS	NO.	MATERIAL	FINISH, REMARKS

CODE NO. (OLD) CL		DRAWN <i>M. Sato</i> 07.03.09	DESIGNED <i>J. Horii</i> 07.03.09	CHECKED <i>E. Horii</i> 07.03.12	APPROVED <i>M. Sato</i> 07.03.13	RELEASED
DRAWING NO. EDC4-021263-73		PART NO. HR10A-10J-12SC(73)				
SCALE 2 : 1		CODE NO. CL110-0612-2-73				1/1
UNITS mm		HRS HIROSE ELECTRIC CO., LTD.				1/1

TO
R