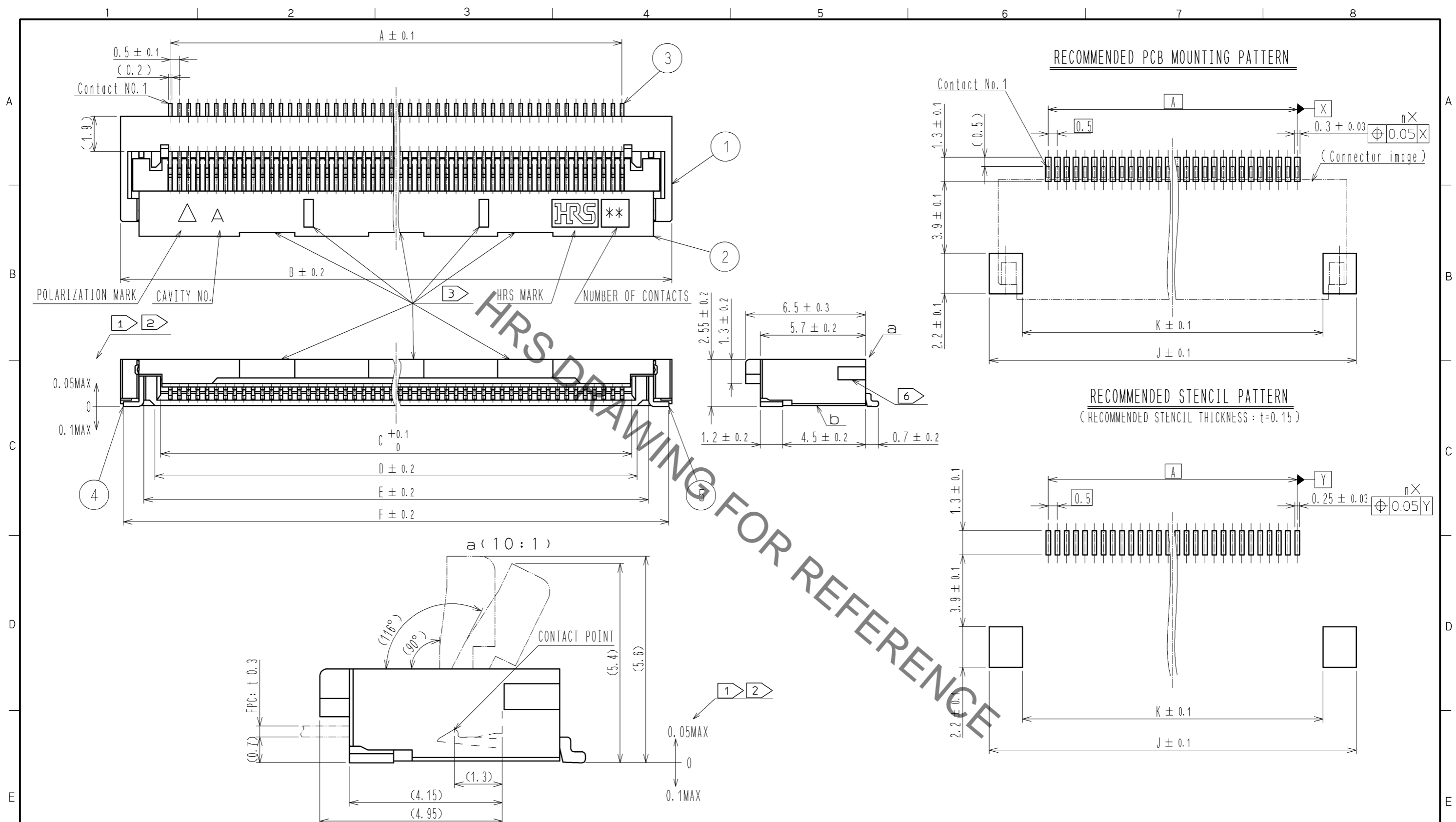


Aug.1.2019 Copyright 2019 HIROSE ELECTRIC CO., LTD. All Rights Reserved.
In case of consideration for using Automotive equipment / device which demand high reliability, kindly contact our sales window correspondents.



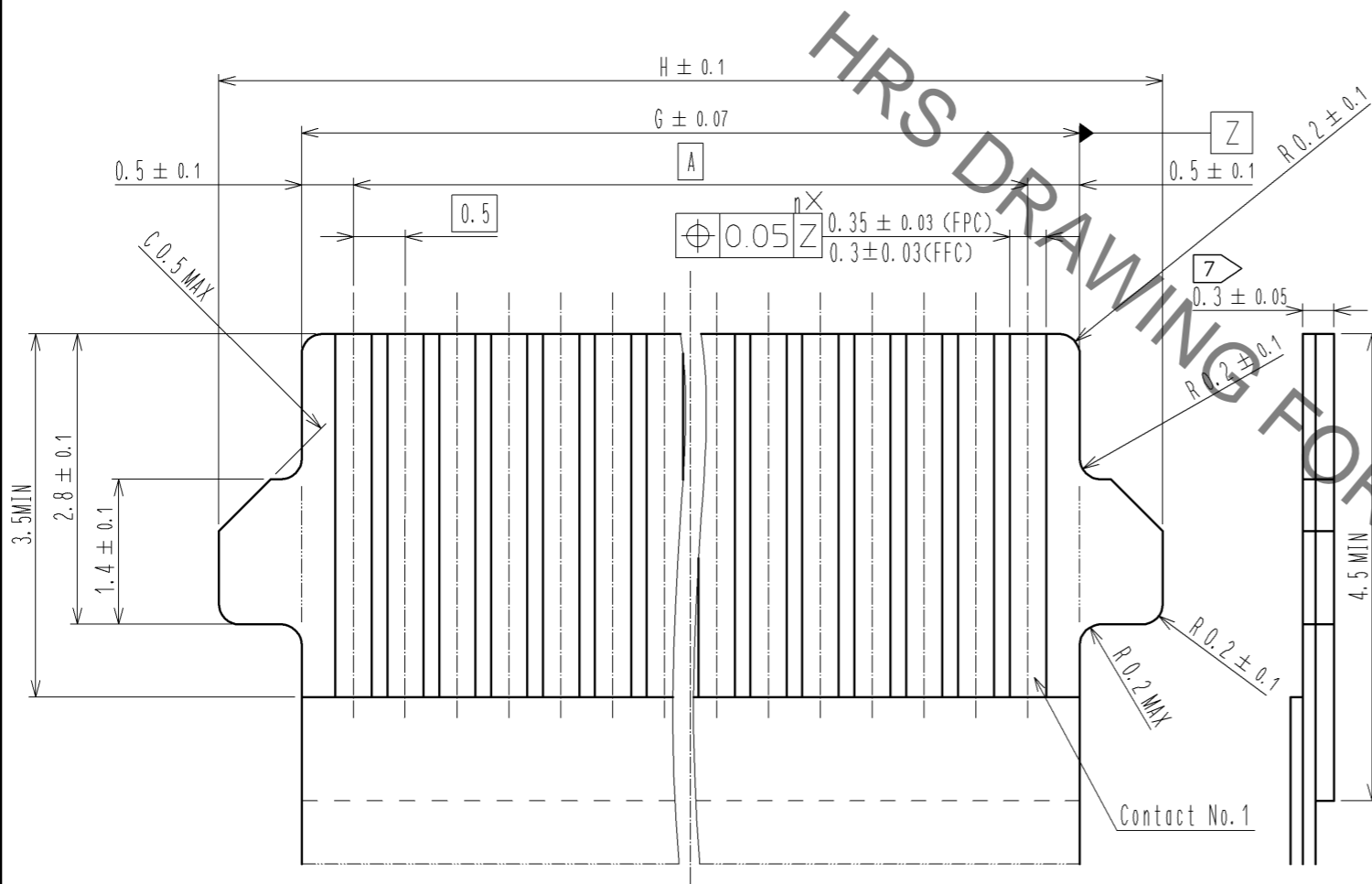
HRS DRAWING FOR REFERENCE

- NOTES
- 1 Lead CO-PLANARITY including reinforced metal fittings shall be 0.1 MAX.
 - 2 Dimension: from reference b.
 - 3 Indicates notches or holes to prevent sink marks. The design and the location are discretionary, depending on the number of contacts.
 4. This product satisfies halogen free requirements defined as 900ppm maximum chlorine, 900ppm maximum bromine, and 1500ppm maximum total of chlorine and bromine.
 5. 'n' represents the number of contacts.
 - 6 Indicates notches for attachment dust cover.
FH28 series : without notches.
FH28D series : with notches.
There is no difference in performance between FH28 series and FH28D series.

5	BRASS	TIN PLATING 1#MMIN OVER NICKEL 1#MMIN						
4	BRASS	TIN PLATING 1#MMIN OVER NICKEL 1#MMIN	9	(CONNECTOR)				
3	PHOSPHOR BRONZE	GOLD PLATING 0.05#MMIN OVER NICKEL 1#MMIN	8	POLYSTYRENE				
2	LCP	(BLACK) UL94V-0	7	POLYESTER				
1	LCP	(GRAY) UL94V-0	6	POLYSTYRENE				
NO.	MATERIAL	FINISH . REMARKS	NO.	MATERIAL	FINISH . REMARKS			
UNITS	mm	SCALE	5 : 1	COUNT	DESCRIPTION OF REVISIONS	DESIGNED	CHECKED	DATE
APPROVED : HS. SAKAMOTO		13. 09. 20		DRAWING NO.		EDC3-353836-01		
CHECKED : HS. SAKAMOTO		13. 09. 20		PART NO.		FH28-*S-0.5SH(05)		
DESIGNED : RT. IKEDA		13. 09. 19		CODE NO.		FH28D-*S-0.5SH(05)		
DRAWN : RT. IKEDA		13. 09. 19		CL586				

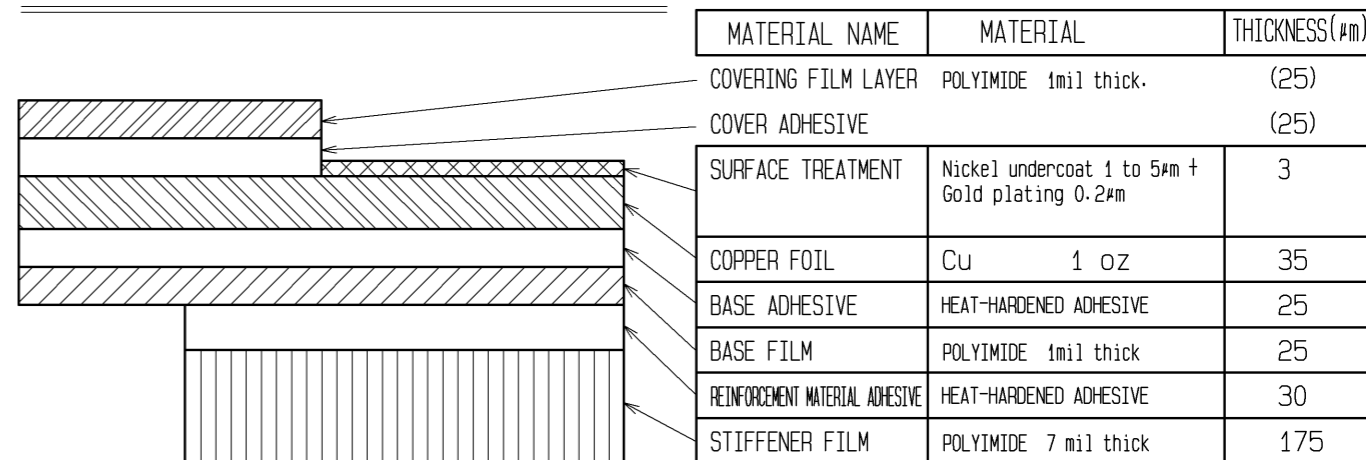
Aug.1.2019 Copyright 2019 HIROSE ELECTRIC CO., LTD. All Rights Reserved.
In case of consideration for using Automotive equipment / device which demand high reliability, kindly contact our sales window correspondents.

RECOMMENDED FPC/FFC (15:1)

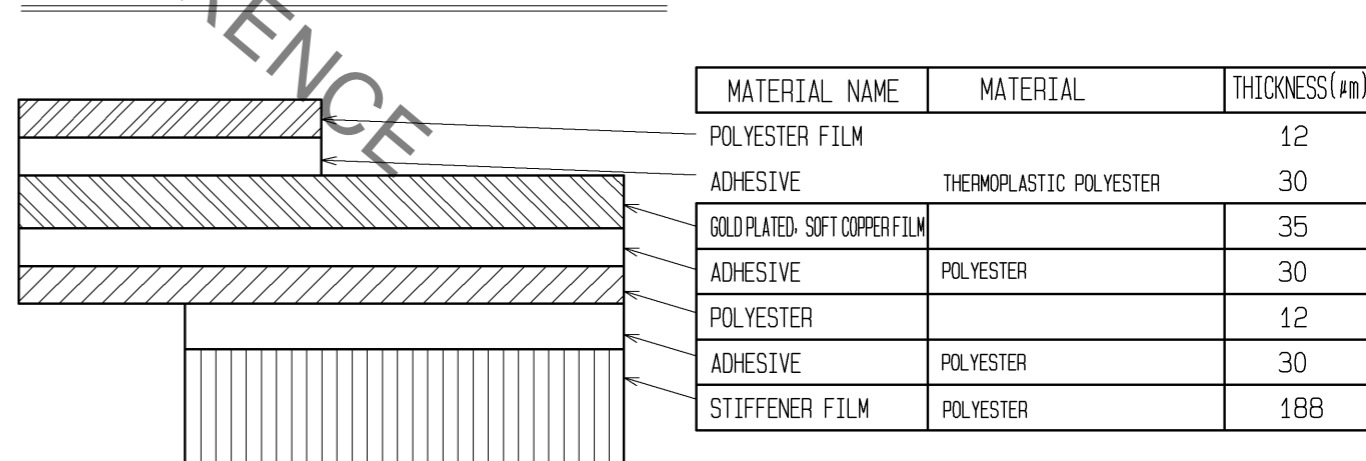


7 Thickness of supporting tape shall be 0.188(7.5mil) MIN.

FPC CONFIGURATION (REFERENCE EXAMPLE) (SCALE:FREE)

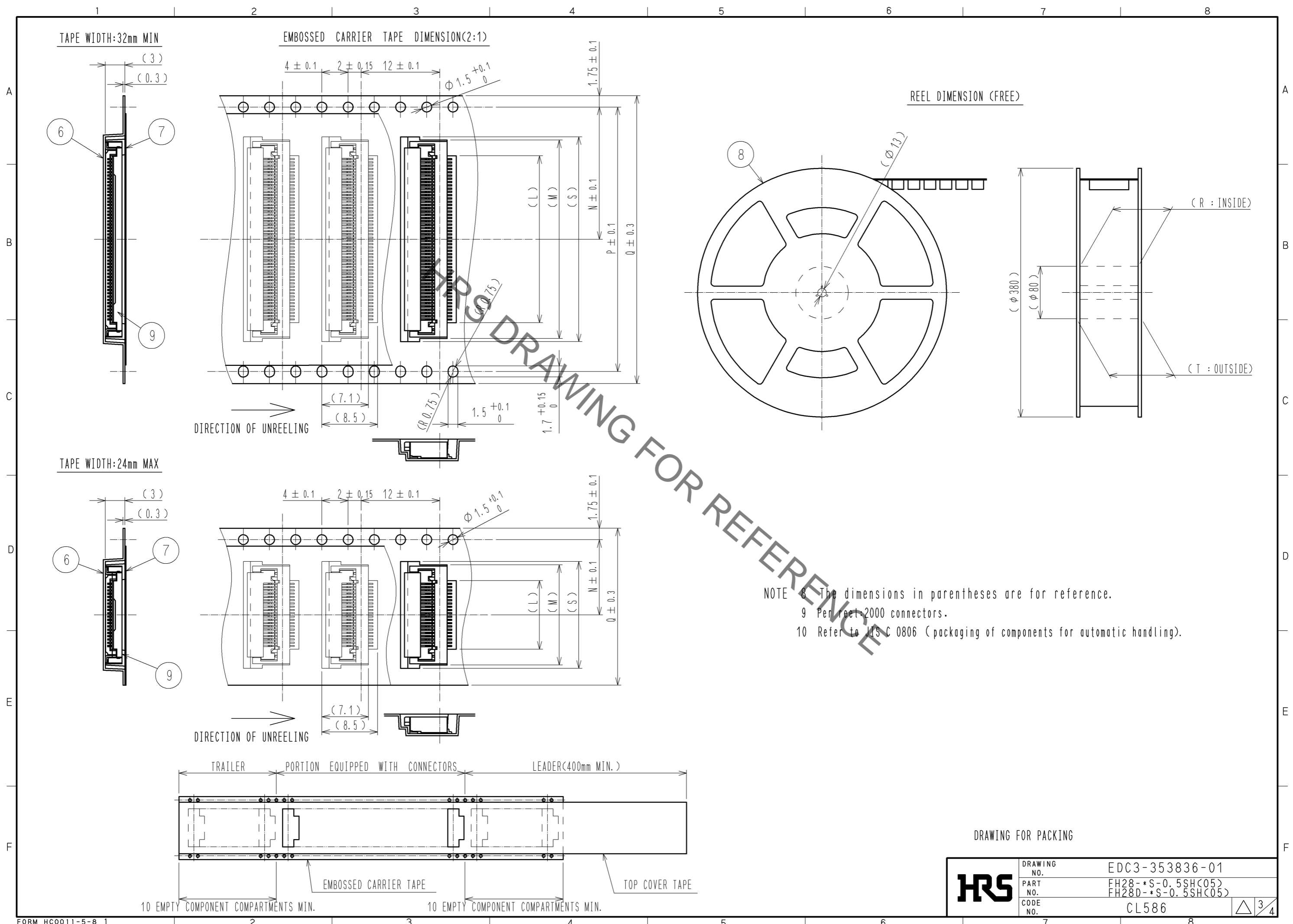


FFC CONFIGURATION (REFERENCE EXAMPLE) (SCALE:FREE)



HRS	DRAWING NO.	EDC3-353836-01
	PART NO.	FH28-*S-0.5SH(05) FH28D-*S-0.5SH(05)
	CODE NO.	CL586
		2/4

Aug.1.2019 Copyright 2019 HIROSE ELECTRIC CO., LTD. All Rights Reserved.
 In case of consideration for using Automotive equipment / device which demand high reliability, kindly contact our sales window correspondents.



DRAWING FOR PACKING

HRS	DRAWING NO.	EDC3-353836-01
	PART NO.	FH28-*S-0.5SH(05) FH28D-*S-0.5SH(05)
	CODE NO.	CL586
		\triangle 3/4

Aug.1.2019 Copyright 2019 HIROSE ELECTRIC CO., LTD. All Rights Reserved.
In case of consideration for using Automotive equipment / device which demand high reliability, kindly contact our sales window correspondents.

PART NO.	CODE NO.	Number of contact	DIMENSION TABLE OF CONNECTOR, FPC, FFC, LAND PATTERN AND STENCIL PATTERN										DIMENSION TABLE OF DRAWING FOR PACKING							
			A	B	C	D	E	F	G	H	J	K	L	M	N	P	Q	R	T	S
FH28 -10S-0.5SH(05)	CL586-1861-4-05	10	4.5	8.8	5.57	6.15	7.35	9.58	5.5	7.1	10.6	7	5.5	10.3	11.5	-	24	25.4	29.4	11.3
FH28 -15S-0.5SH(05)	CL586-1868-3-05	15	7	12.4	8.07	8.65	9.85	12.08	8	9.6	13.1	9.5	8	12.8	11.5	-	24	25.4	29.4	13.8
FH28D-20S-0.5SH(05)	CL586-1823-5-05	20	9.5	14.9	10.57	11.15	12.35	14.58	10.5	12.1	15.6	12	10.5	15.3	11.5	-	24	25.4	29.4	16.3
FH28D-28S-0.5SH(05)	CL586-1835-4-05	28	13.5	18.9	14.57	15.15	16.35	18.58	14.5	16.1	19.6	16	14.5	19.3	14.2	28.4	32	33.4	37.4	20.3
FH28D-30S-0.5SH(05)	CL586-1827-6-05	30	14.5	19.9	15.57	16.15	17.35	19.58	15.5	17.1	20.6	17	15.5	20.3	14.2	28.4	32	33.4	37.4	21.3
¹¹ FH28 -40S-0.5SH(07)	CL586-1803-8-07	40	19.5	24.9	20.57	21.15	22.35	24.58	20.5	22.1	25.6	22	20.5	25.3	20.2	40.4	44	45.4	49.4	-
FH28 -45S-0.5SH(05)	CL586-1848-6-05	45	22	27.4	23.07	23.65	24.85	27.08	23	24.6	28.1	24.5	23	27.8	20.2	40.4	44	45.4	49.4	28.8
FH28 -50S-0.5SH(05)	CL586-1801-2-05	50	24.5	29.9	25.57	26.15	27.35	29.58	25.5	27.1	30.6	27	25.5	30.3	20.2	40.4	44	45.4	49.4	-
FH28 -55S-0.5SH(05)	CL586-1800-0-05	55	27	32.4	28.07	28.65	29.85	32.08	28	29.6	33.1	29.5	28	32.8	20.2	40.4	44	45.4	49.4	-
FH28 -60S-0.5SH(05)	CL586-1811-6-05	60	29.5	34.9	30.57	31.15	32.35	34.58	30.5	32.1	35.6	32	30.5	35.3	26.2	52.4	56	57.4	61.4	-
FH28D-64S-0.5SH(05)	CL586-1813-1-05	64	31.5	36.9	32.57	33.15	34.35	36.58	32.5	34.1	37.6	34	32.5	37.3	26.2	52.4	56	57.4	61.4	-
FH28D-68S-0.5SH(05)	CL586-1819-8-05	68	33.5	38.9	34.57	35.15	36.35	38.58	34.5	36.1	39.6	36	34.5	39.3	26.2	52.4	56	57.4	61.4	-
FH28D-74S-0.5SH(05)	CL586-1828-9-05	74	36.5	41.9	37.57	38.15	39.35	41.58	37.5	39.1	42.6	39	37.5	42.3	26.2	52.4	56	57.4	61.4	43.3

¹¹ : The specification of (07) is applied to FH28-40S-0.5SH.

HRS	DRAWING NO.	EDC3-353836-01
	PART NO.	FH28-*S-0.5SH(05) FH28D-*S-0.5SH(05)
	CODE NO.	CL586
	△ 4/4	