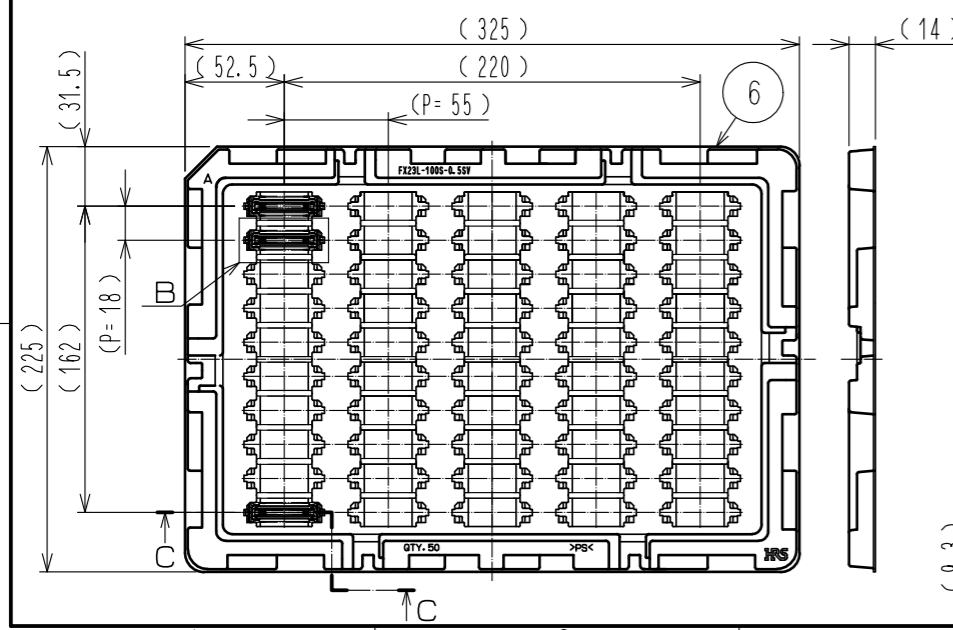
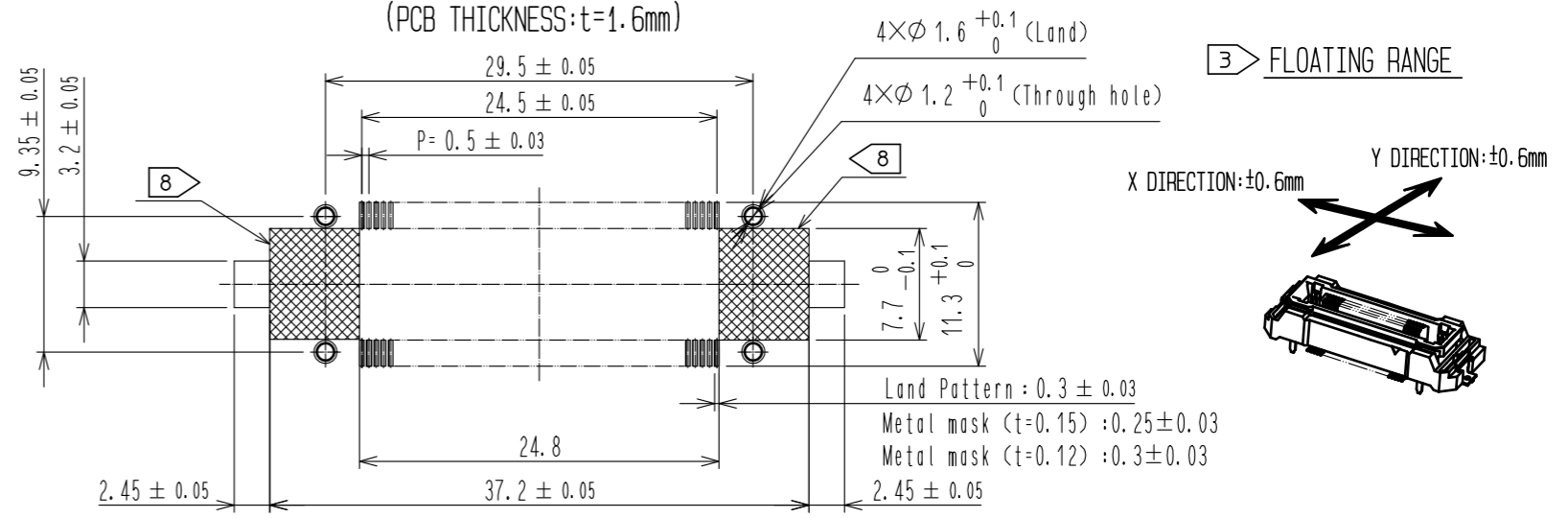


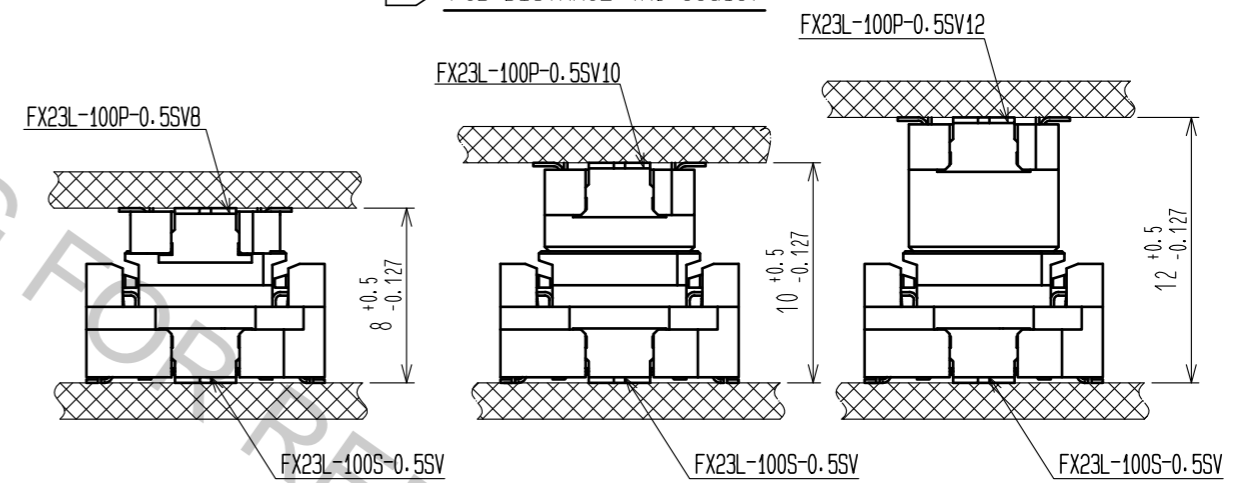
2 DRAWING FOR PACKING (No scale)



RECOMMENDED LAND PATTERN DIMENSION OF PCB  
(PCB THICKNESS: t=1.6mm)



7 PCB DISTANCE (No scale)



- Note
- 1 Lead CO-Planarity is 0.1mm MAX.
  - 2 This is packaged in tray. (50pcs/tray)
  - 3 Floating range of this connector is ±0.6mm MAX.  
The maximum cycle time of the floating operation is in accordance with the mating cycle of the connector.
  - 4 It shows the vacuum pickup area. Remove the mylar tape before mating connectors.
  - 5 Blemish and hit mark can be occurred through out the manufacturing process which doesn't affect quality level.
  - 6 The dimensions in parentheses are for references.
  - 7 Please use the connectors within the specified PCB distance.
  - 8 area of inner SMT land requires pattern prohibition or resist treatment to prevent the pattern.

3	COPPER ALLOY	CONTACT AREA: GOLD 0.1 μm	7	POLYAMIDE	(TAPE FOR VACUUM PICKUP)
		LEAD AREA: GOLD 0.03 μm	6	POLYSTYRENE	(TRAY)
		UNDER PLATING: NICKEL 1.3 μm	5	BRASS	TIN-PLATING 1 μm
2	POLYAMIDE	BLACK UL94V-0	4	COPPER ALLOY	CONTACT AREA: GOLD 0.1 μm
1	POLYAMIDE	BLACK UL94V-0			LEAD AREA: TIN-PLATING 1 μm
					UNDER PLATING: NICKEL 1.3 μm
NO.	MATERIAL	FINISH . REMARKS	NO.	MATERIAL	FINISH . REMARKS

UNITS mm		SCALE 2 : 1	COUNT 	DESCRIPTION OF REVISIONS	DESIGNED	CHECKED	DATE
<b>HRS</b> HIROSE ELECTRIC CO., LTD.		APPROVED : HS. OKAWA	16.01.20	DRAWING NO.	EDC3-358068-00		
		CHECKED : KN. SHIBUYA	16.01.20	PART NO.	FX23L-100S-0.5SV		
		DESIGNED : TS. OONO	16.01.20	CODE NO.	CL573-2305-0-00		
		DRAWN : TS. OONO	16.01.20	1/1			