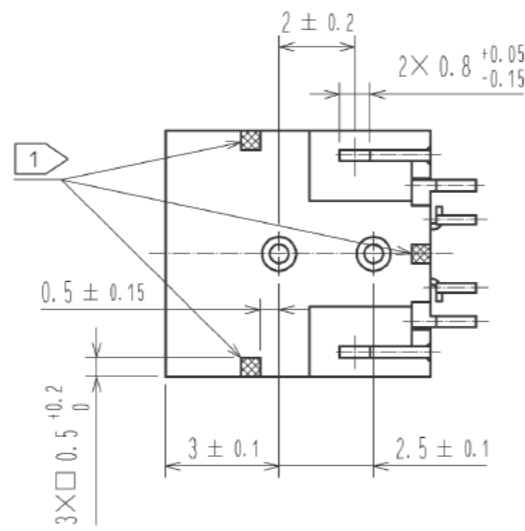
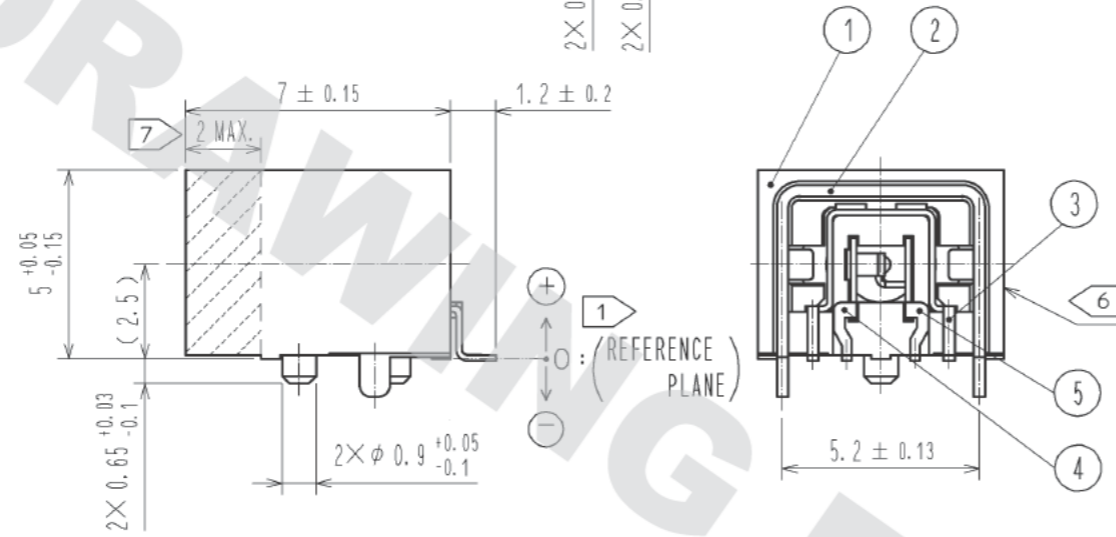
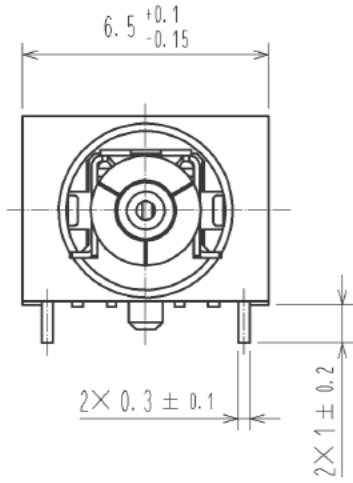
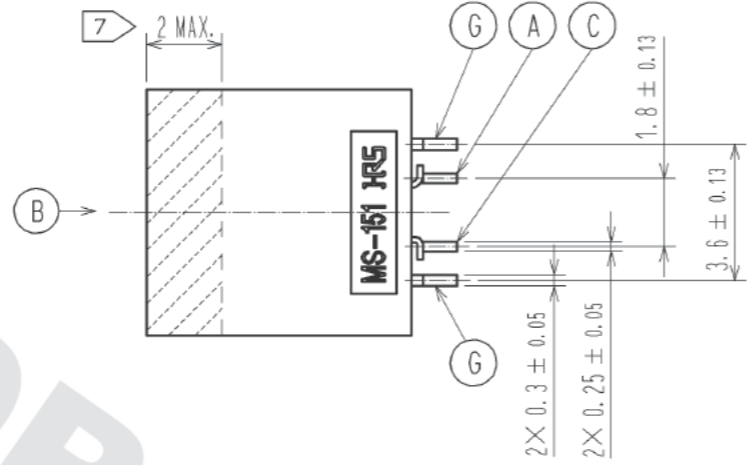
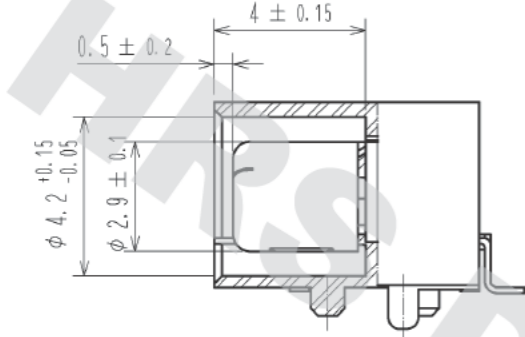
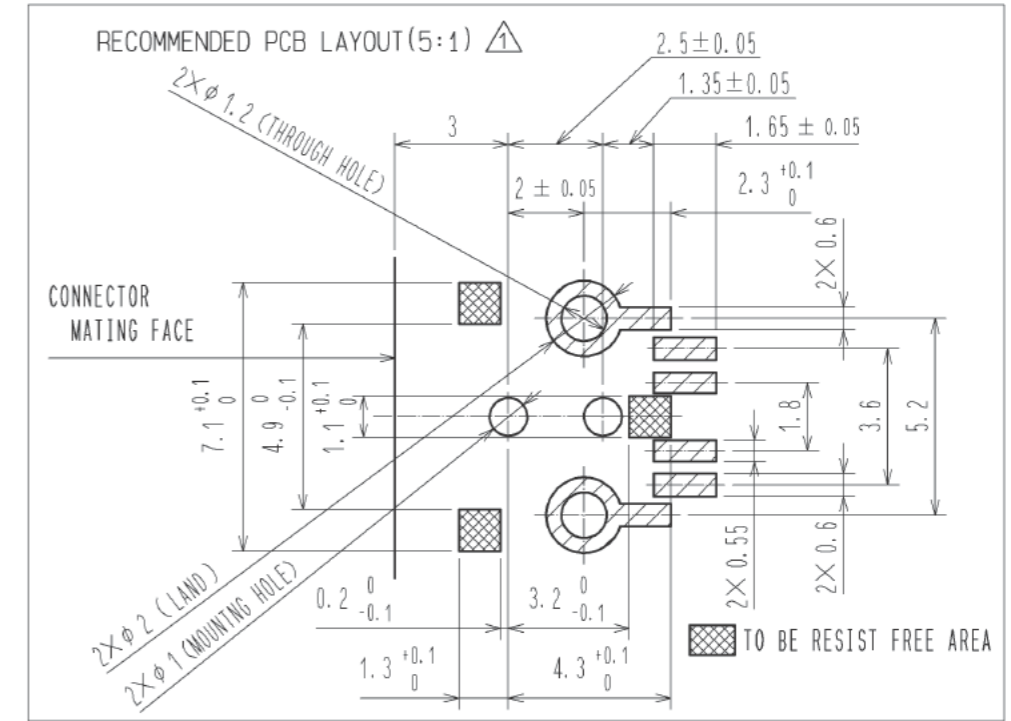
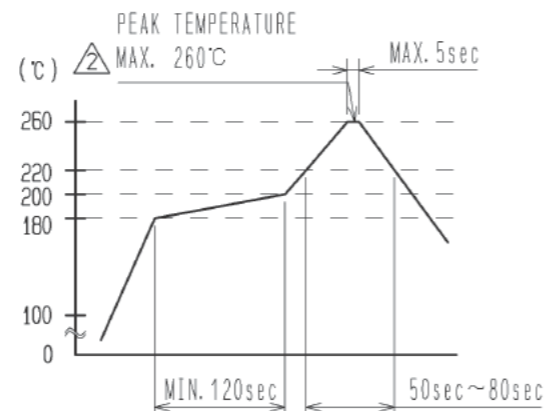


DRAWING FOR REFERENCE: This is subject to change without notice  
12/12/2014

MATING FACE DIMENSIONS



SPECIFIED REFLOW TEMPERATURE PROFILE FOR LEAD-FREE SOLDER

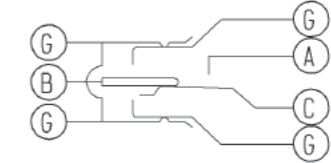


- NOTE 1 IS REFERENCE PLANE FOR PCB MOUNTING.  
SMT READ COPLANARITY SHALL BE  $-0.05^{+0.03}_{-0.07}$  FOR REFERENCE PLANE.
- USE THIS PRODUCT WITH MS-151-C(LP) AND EQUIVALENT CONTACT MATED.
  - COAXIAL SWITCH CIRCUIT SHALL BE AS FOLLOWS.

STATE OF CONTACT NONMATED  
(N.C: NORMAL CLOSE)



STATE OF CONTACT MATED  
(N.O: NORMAL OPEN)



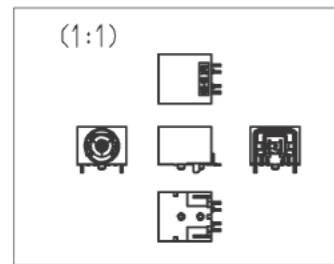
- THIS PRODUCT IS IMPOSSIBLE TO WASH.
- USE 0.15mm THICK METAL MASK.

6 LOT NO. IS MARKED ON THE SPECIFIED SURFACE.

7 FIX THE CONNECTOR WITH DEVICE CHASSIS AT THE AREA WITHIN 2mm FROM THE OPENING .

RoHS COMPLIANT

HALOGEN FREE COMPLIANT

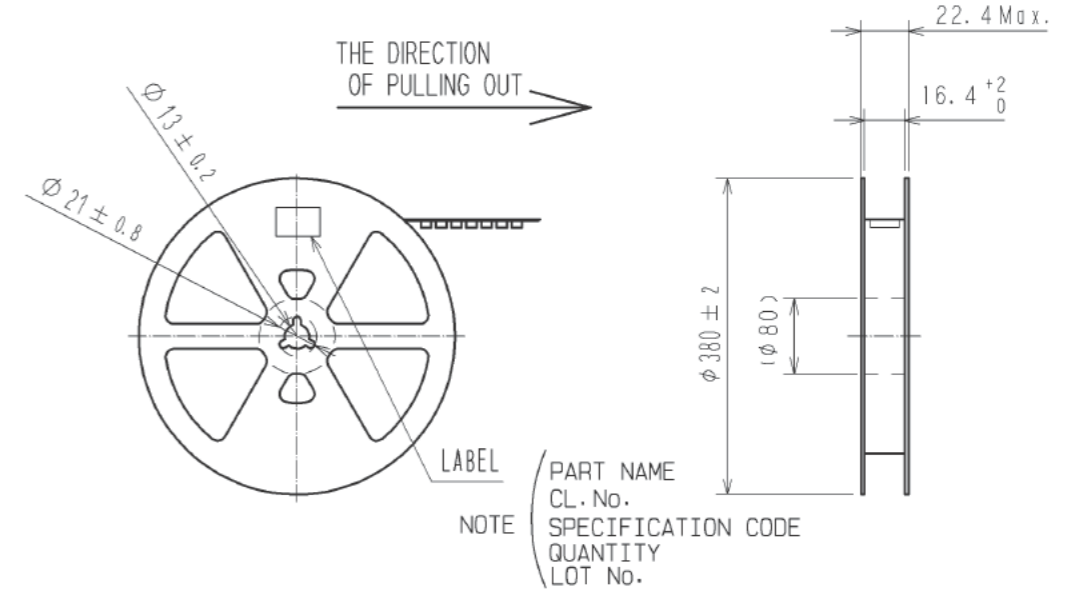
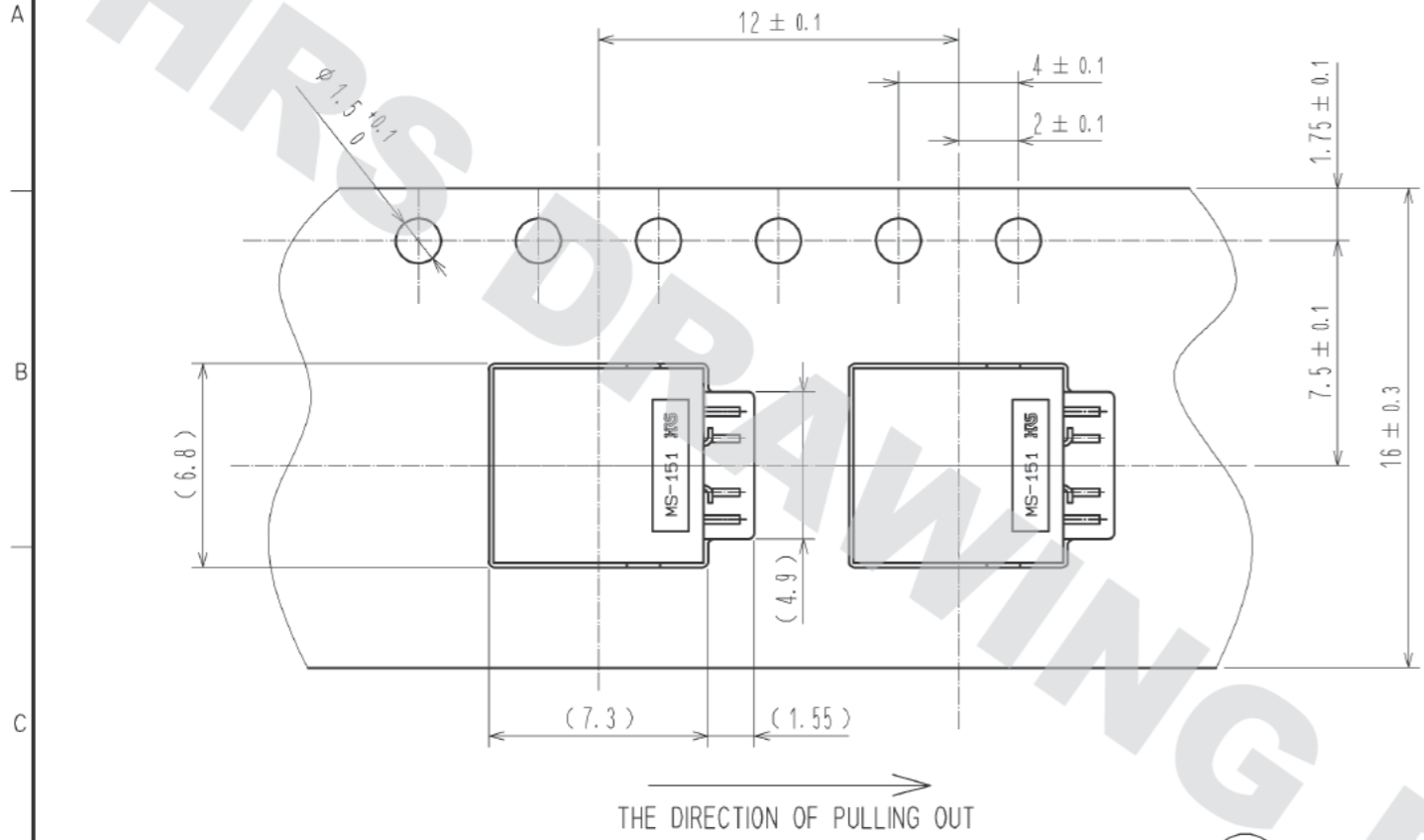


3	PHOSPHOR BRONZE	SELECTIVE GOLD PLATING	7	PET	
2	STAINLESS STEEL	SELECTIVE GOLD PLATING	6	PS	
1	PA-M		5	PHOSPHOR BRONZE	SELECTIVE GOLD PLATING
			4	BERYLLIUM COPPER	SELECTIVE GOLD PLATING
部番	材質	処理, 備考	部番	材質	処理, 備考
UNITS mm		SCALE 5 : 1	△の数 1	訂正記事 DIS-D-003425	設計 RO. FURUYAMA
<b>HRS</b> HIROSE ELECTRIC CO., LTD.	承認: MH. YAMANE 14. 01. 27	検査: NK. NINOMIYA 14. 01. 27	設計: TS. NAKAGAWA 14. 01. 23	製図: TS. NAKAGAWA 14. 01. 23	年月日 14. 09. 30
				図番: EDC3-353753-00	検査 NK. NINOMIYA
				製品名: MS-151NB-1	年月日 14. 09. 30
				製品コード CL358-0345-4-00	年月日 14. 09. 30

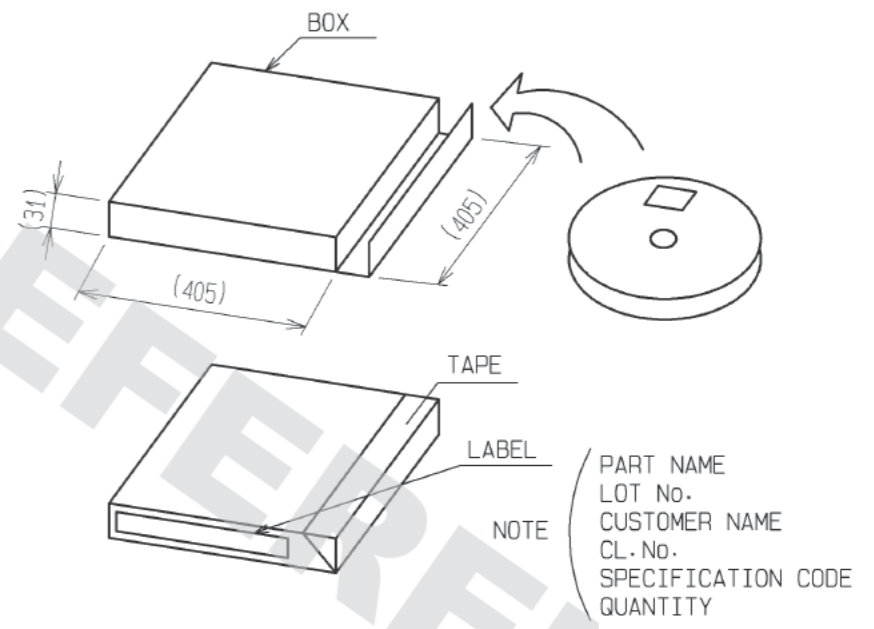
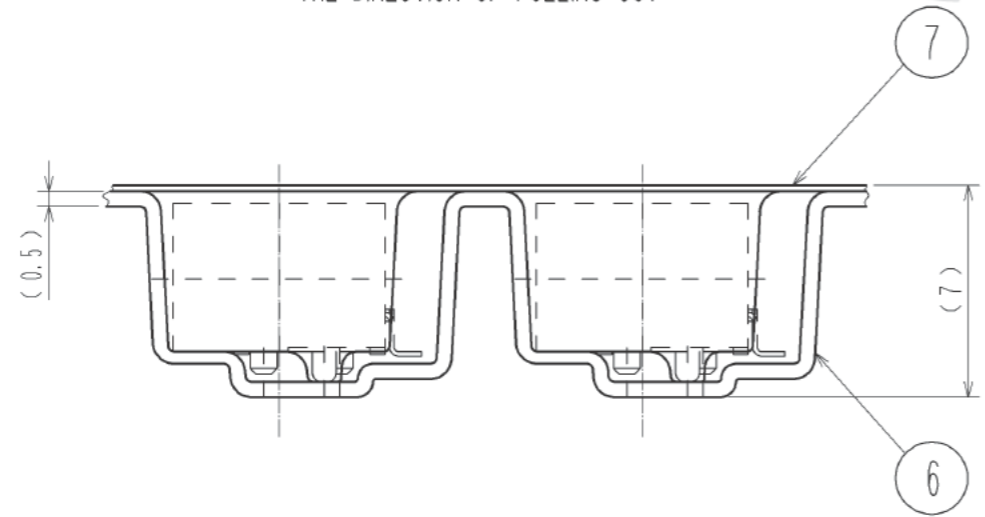
TAPE AND REEL PACKING(4:1)

REEL DIMENSIONS (FREE)

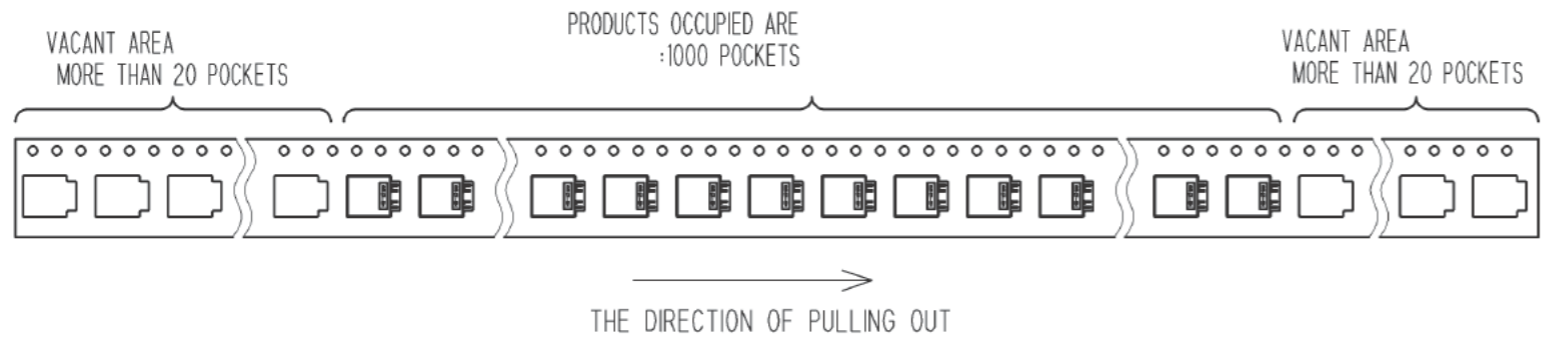
1000 PCS PER REEL



OUTER PACKAGING CASE (FREE)



PACKAGING SPECIFICATION(FREE)



<b>HRS</b>	図番:	EDC3-353753-00		2/2
	製品名:	MS-151NB-1		
	製品コード:	CL358-0345-4-00		

DRAWING FOR REFERENCE: This is subject to change without notice 12/12/2014