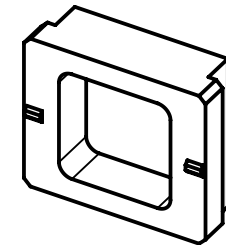
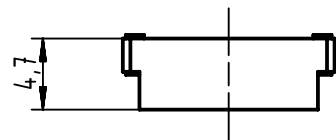
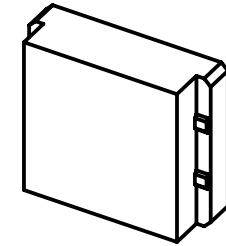
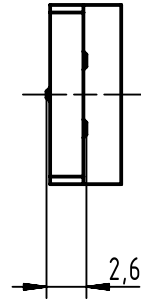
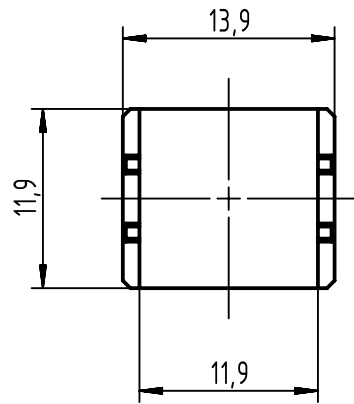



1 2 3 4 5 6



InduCom Blindplatte für 9- 37-pol. Gehäuse

	All rights reserved Department EC PD - CN	All Dimensions in mm Original Size DIN A4			Scale 2:1	Free size tol.		Ref.		
		HARTING Electronics GmbH D-32339 Espelkamp			Created by ZENG D	Inspected by LUOK	Standardisation HOFFMANN	Date 2018-03-26	State Final Release	
Title InduCom blanking piece for 9 to 37-pole hoods								Doc-Key / ECM-Nr. 100221953/UGD/002/B 500000133025		
Type TB				Number 61030000042				Rev. B	Page 1/1	