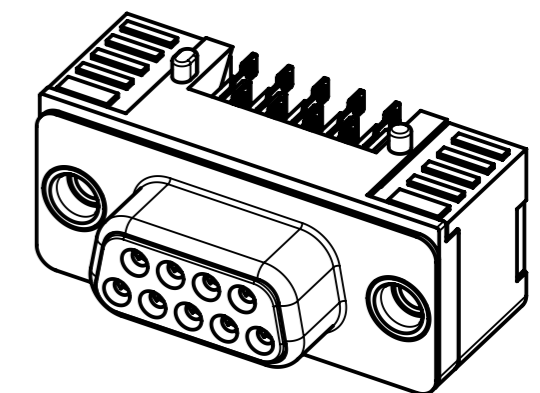
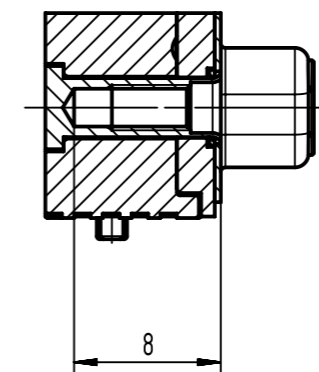
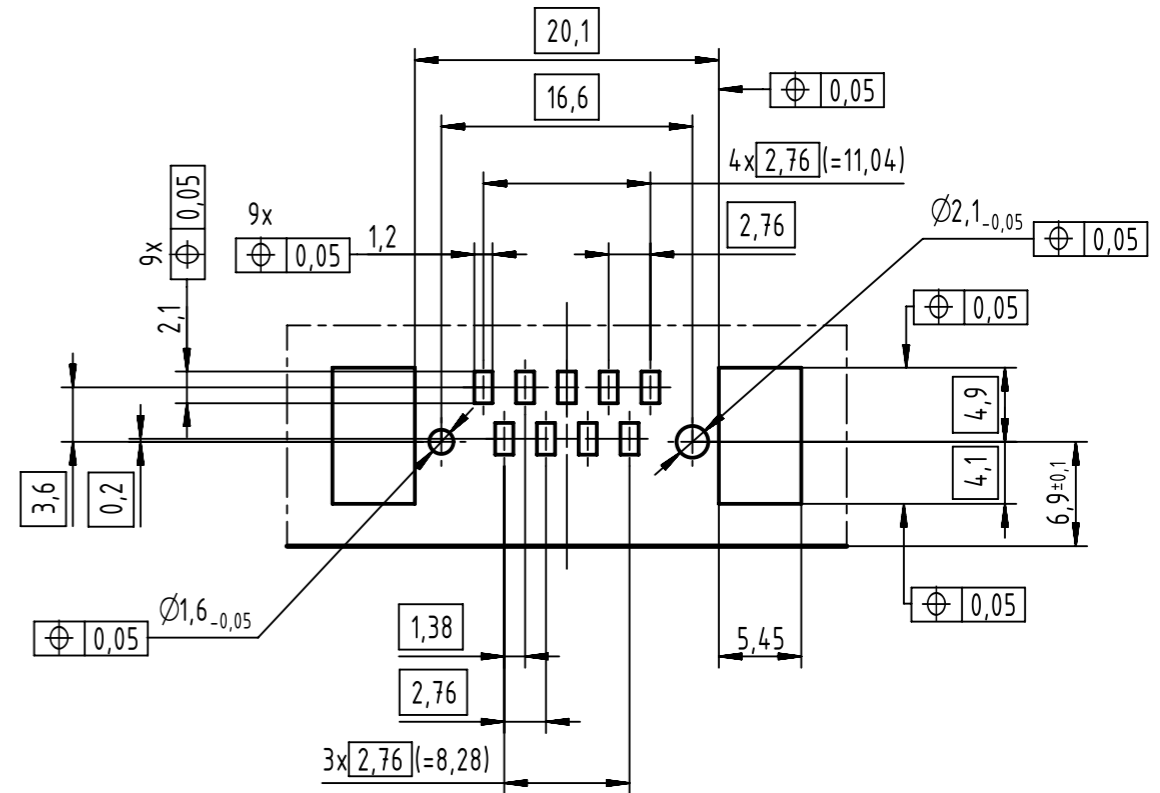


PCB layout, component side (thickness 1,6 min)



Max. Temperature: 260°C during 10 seconds.
Find further technical information on DS 09550200301.

0955 156 6612 333	2	4-40 UNC	Black insulator	Samples
0955 156 3612 741	1			Reel packaging (140 connectors)
0955 156 6612 741	2			
0955 156 7612 741	3			
0955 156 3611 741	1	M3	Nut	
0955 156 6611 741	2			
0955 156 7611 741	3			
Part number	PL			

	All rights reserved Department EC PD - CN	All Dimensions in mm Original Size DIN A3		Scale 2:1	Free size tol.	Ref.
		Created by ZENG D	Inspected by LUOK	Standardisation HOFFMANN	Date 2016-08-29	State Final Release
Title D-Sub angled standard SMT 9-pole female ass with screw nut						Doc-Key / ECM-Nr. 10051174.7/UGD/001/B 500000107668
HARTING Electronics GmbH D-32339 Espelkamp		Type TB	Number 0955156X61X		Rev. B	Page 1/1