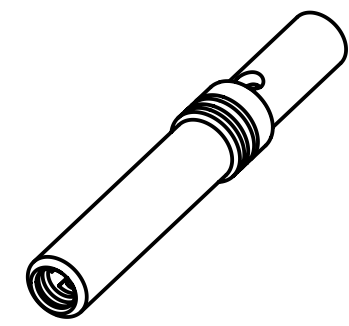
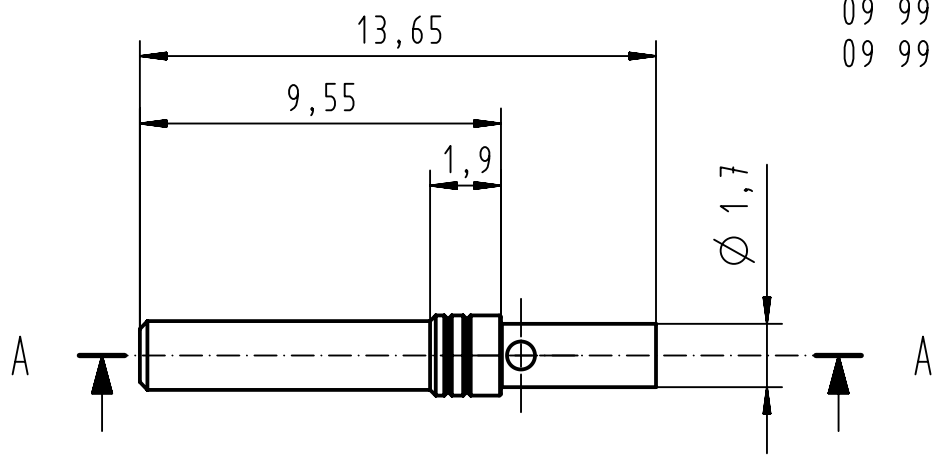


Crimping of AWG 22-26 :  
 09 99 000 0501 hand tool  
 09 99 000 0531 locator



|                |                    |             |
|----------------|--------------------|-------------|
| 5000           | 09 67 000 5676 580 | 1           |
| 100            | 09 67 000 5676     | 1           |
| Bulk packaging | Part number        | Perf. Level |

|  |  |  |                           |                           |  |                        |
|--|--|--|---------------------------|---------------------------|--|------------------------|
|  | All rights reserved<br>Department EC PD - FR | All Dimensions in mm<br>Original Size DIN A4 |                           | Scale<br>5:1              | Free size tol.   | Ref.<br>Sub.           |
|  |  | Created by<br>BOURGEOIS                      | Inspected by<br>BAGDIKIAN | Standardisation<br>KOHLER | Date<br>2014-06-18                                       | State<br>Final Release |
| Title<br>D-Sub, FE High-end AWG 22-26 crimp cont |  |  |                           |                           | Doc-Key / ECM-Nr.<br>100220454/UGD/002/C<br>500000076079 |                        |
| HARTING Electronics GmbH<br>D-32339 Espelkamp    |  | Type<br>TB                                   | Number<br>09670005676     |                           | Rev.<br>C  | Page<br>1/1            |