
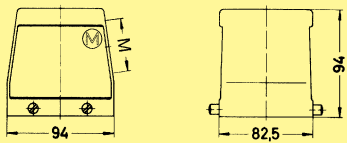

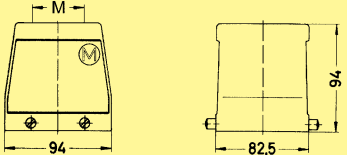
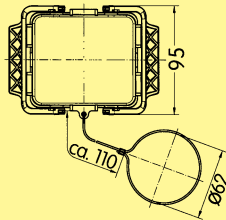

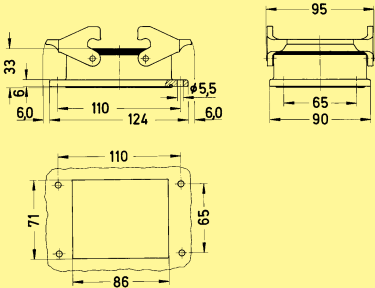

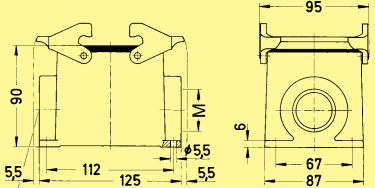
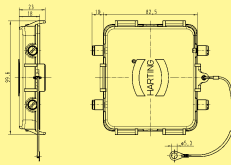


Metal hoods/housings for industrial applications / 2 lever locking system

Identification	Part number	Cable entry metric	Drawing	Dimensions in mm
Hoods side entry 	19 30 032 0527 19 30 032 0528 19 30 032 0529	1 x 32 1 x 40 1 x 50		
Hoods top entry 	19 30 032 0427 19 30 032 0428 19 30 032 0429	1 x 32 1 x 40 1 x 50		
Protection covers metal 09 30 032 5420				

Metal hoods/housings for industrial applications / 2 lever locking system

Identification	Part number	Cable entry metric	Drawing	Dimensions in mm
Housings, bulkhead mounting 	09 30 032 0301		 <p>Panel cut out</p>	
Housings, surface mounting side entry 	19 30 032 0232 19 30 032 0272 19 30 032 0273	1 x 32 2 x 32 2 x 40		
Protection covers metal 09 30 032 5425				

Han Hoods Housings

* usable for two inserts of size 16 B
Stock items in bold type