



## PART NO. : TG1G-E005J24RL

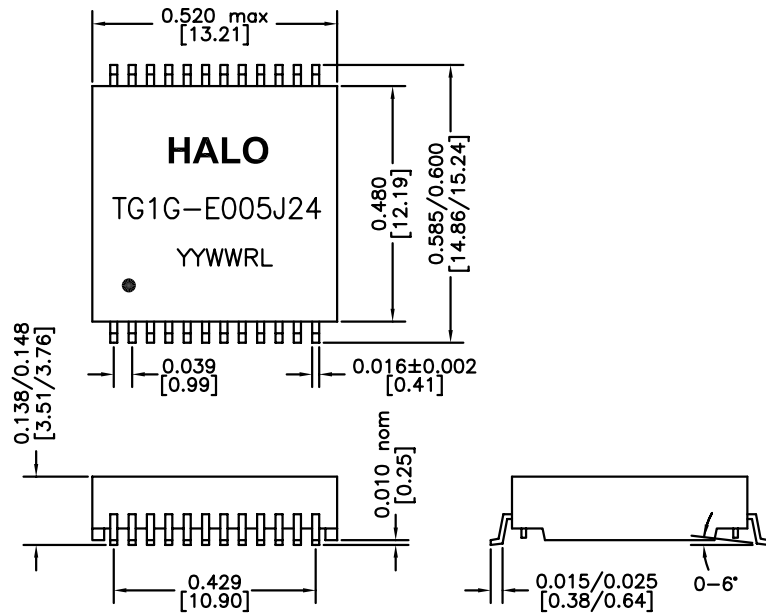
24PIN SMT ISOLATION MODULE

DESIGNED FOR SINGLE-PORT GIGABIT OR  
DUAL-PORT FAST ETHERNET APPLICATIONS

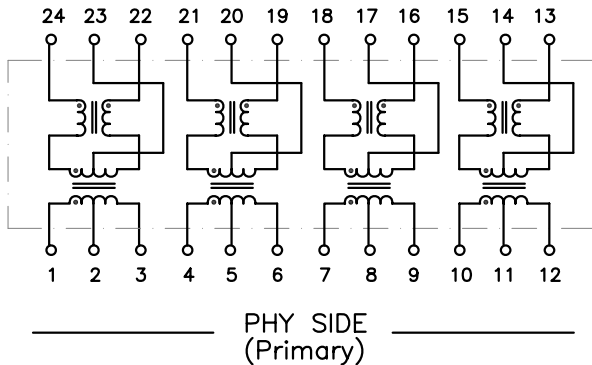
RoHS COMPLIANT

COMPATIBLE TO LEAD-FREE SOLDERING PROCESS  
CONDITION PER IPC/JEDEC J-STD-020C

EXTENDED OPERATING TEMPERATURE -40/+85°C



DIMENSIONS: Inch [mm]  
CO-PLANARITY: 0.004 [0.10]  
TOLERANCES: ±0.005 INCH IF NOT SPECIFIED



## ELECTRICAL SPECIFICATIONS @ 25° C

URNS RATIO	1CT:1CT ±3%
ACL (100KHz,0.1V,8mA)	350µH min
DCR (PRI)	1.3Ω max
LL (1MHz,0.1V)	0.4µH max
Cw/w	30pF max
INSERTION LOSS	
1-100MHz	-1.1dB max
RETURN LOSS	
1-40MHz	-18dB min
60MHz	-14dB min
80MHz	-12dB min
100MHz	-10dB min
CROSSTALK 1-100MHz	-40dB typ
CMR 1-100MHz	-40dB typ
ISOLATION	1,500Vrms



# HALO/PBL

CALIFORNIA, USA  
KOWLOON, HONG KONG  
SINGAPORE

TITLE ISOLATION MODULE

FOR 1000BASE-T

PART NO. TG1G-E005J24RL

SCALE NONE PAGE 1 OF 1

SIGNATURES

DRAWN PETER LU

CHECKED LEI KEONG

APPROVED PETER LU

FILE E005J24RL.DWG

DATE

5/25/06

10/2/09

10/2/09

REV.

A

B

DESC.

FIRST ISSUE

PROD. RELEASE

DATE

5/25/06

10/2/09