


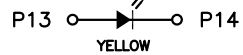
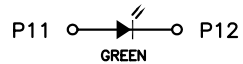
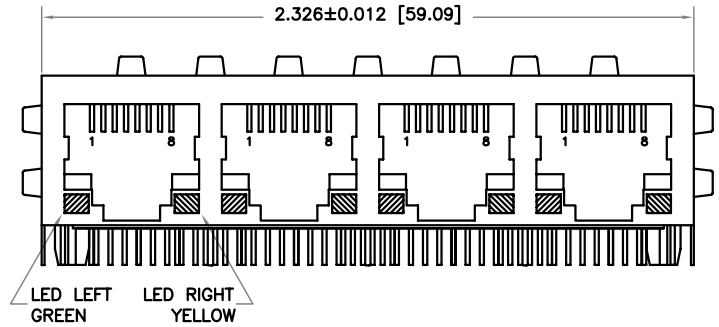
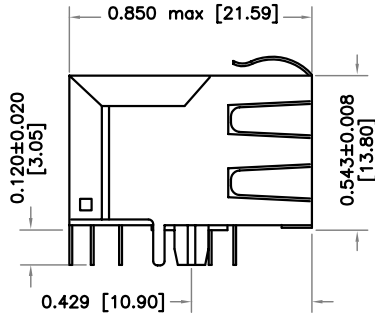
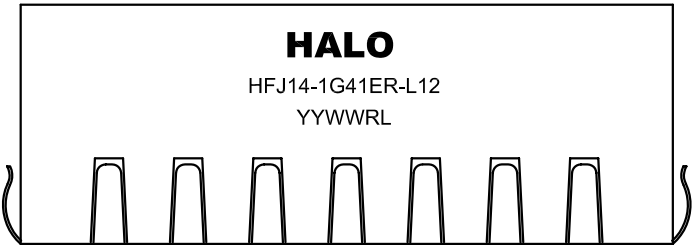
PART NO. : HFJ14-1G41ER-L12RL 

FASTJACK™ WITH 1000BASE-T MAGNETICS
 DESIGNED FOR IEEE802.3ab GIGABIT ETHERNET APPLICATIONS
 LEAD-FREE/RoHS COMPLIANT
 COMPATIBLE TO LEAD-FREE WAVE SOLDERING PROCESS FOR THROUGH HOLE COMPONENTS
 OPTIMIZED FOR VOLTAGE DRIVEN OUTPUTS
 OPERATING TEMPERATURE 0/70°C

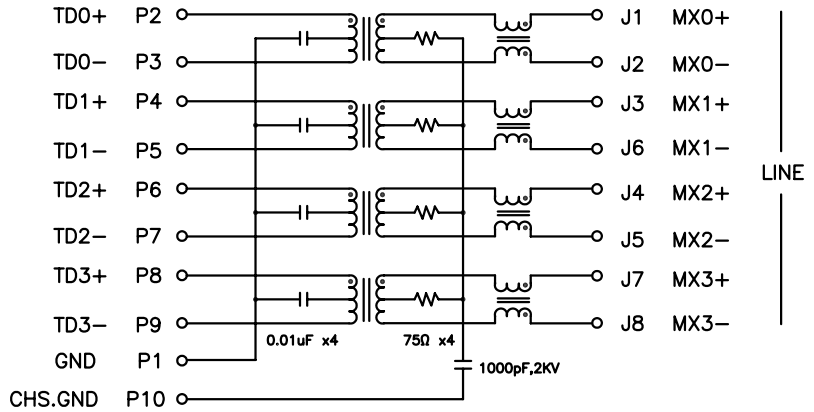
ELECTRICAL SPECIFICATIONS @25° C

URNS RATIO	1:1 ±3%
OCL (100KHz,0.1V,8mADC)	350µH min
INSERTION LOSS	
1-100MHz	-1.1dB max
RETURN LOSS	
1-40MHz	-18dB min
60MHz	-14dB min
80MHz	-12dB min
100MHz	-10dB min
CROSTALK 1-100MHz	-35dB typ
CMR	
0.1-30MHz	-50dB typ
30-60MHz	-40dB typ
60-100MHz	-35dB typ
ISOLATION	1,500Vrms

Housing Material: Polyester, Black UL94V-0
 Contacts: Phosphor Bronze 30µin Au plating over Ni
 Leads: Matte Sn plating
 Shield: Cu Alloy with Ni plating 40µin min
 Durability: 1000 mating cycles
 Dimensions: Inch [mm]
 Tolerances: ±0.008 inch if not specified



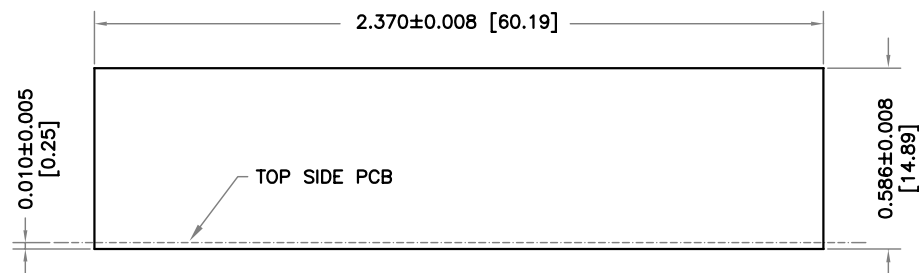
LED FORWARD VOLTAGE/
 CURRENT: 2.1V/10mA typ



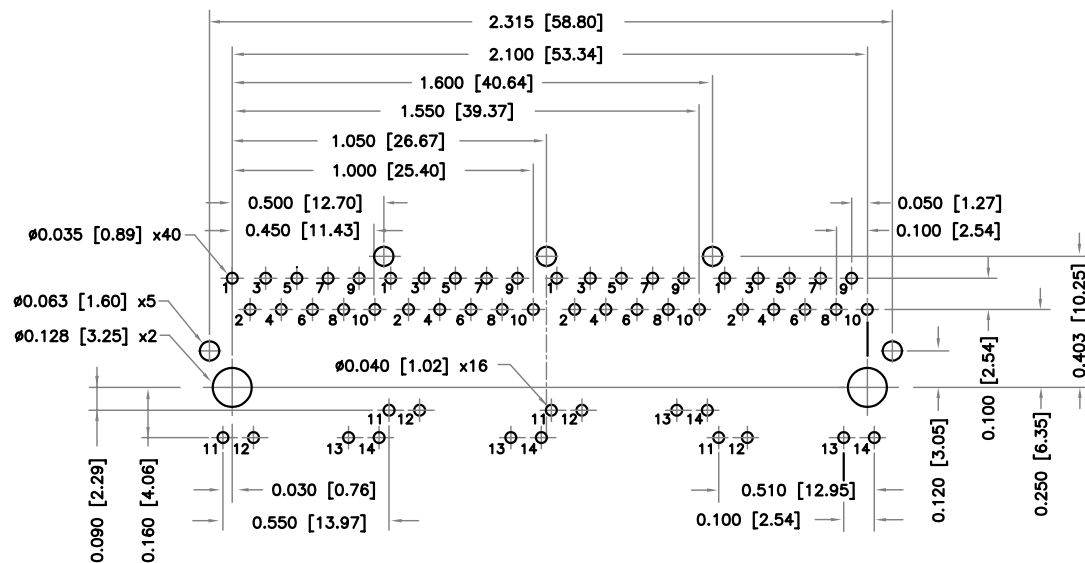
HALO/PBL

CALIFORNIA, USA
 KOWLOON, HONG KONG
 SINGAPORE

TITLE	FastJack™ 1x4	SIGNATURES	DATE	REV.	DESC.	DATE
FOR	GIGABIT ETHERNET	DRAWN	PETER LU	11/22/05	A	
PART NO.	HFJ14-1G41ER-L12RL	CHECKED				
SCALE	NONE	APPROVED				
PAGE	1 OF 2	FILE	FJ141G41ER-L12RL.DWG			



RECOMMENDED PANEL CUTOUT



RECOMMENDED P.C. BOARD PATTERN (COMP. SIDE)
TOLERANCES: ±0.002 [0.05] UNLESS SPECIFIED

HALO/PBL	TITLE	FastJack™ 1x4	SIGNATURES	DATE	REV.	DESC.	DATE
	FOR	GIGABIT ETHERNET	DRAWN	PETER LU	11/22/05	A	
CALIFORNIA, USA KOWLOON, HONG KONG SINGAPORE	PART NO.	HFJ14-1G41ER-L12RL	CHECKED				
	SCALE	NONE	APPROVED				
	PAGE	2 OF 2	FILE	FJ141G41ER-L12RL.DWG			