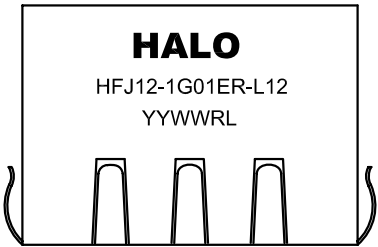


PART NO. : HFJ12-1G01ER-L12RL



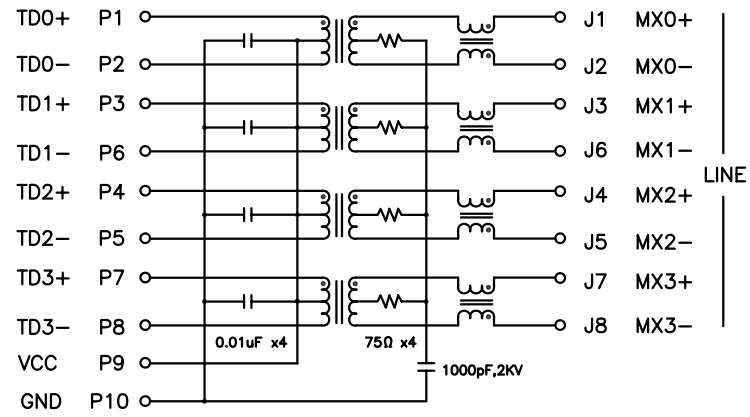
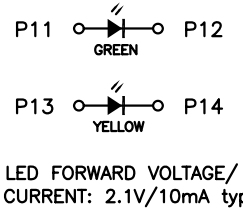
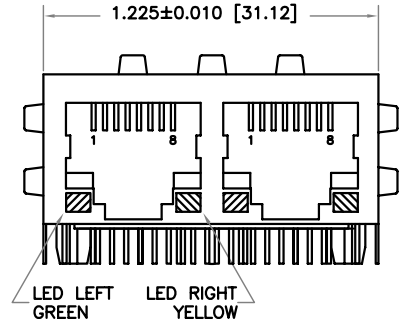
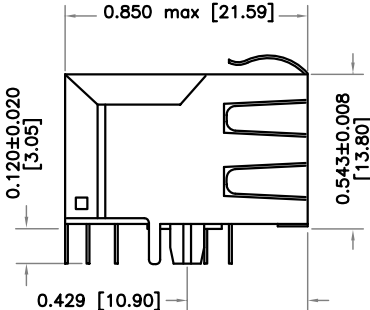
1X2 FASTJACK™ WITH 1000BASE-T MAGNETICS
 COMPLIANT TO IEEE802.3ab STANDARDS
 RoHS COMPLAINT
 COMPATIBLE TO LEAD-FREE WAVE SOLDERING PROCESS
 FOR THROUGH HOLE COMPONENTS
 OPERATING TEMPERATURE 0/70°C

Housing Material: Polyester, Black UL94V-0
 Contacts: Phosphor Bronze 30µin Au plating over Ni
 Leads: Matte Sn over Ni plating
 Shield: Cu Alloy with Ni plating 40µin min
 Durability: 1000 mating cycles
 Dimensions: Inch [mm]
 Tolerances: ±0.008 inch if not specified

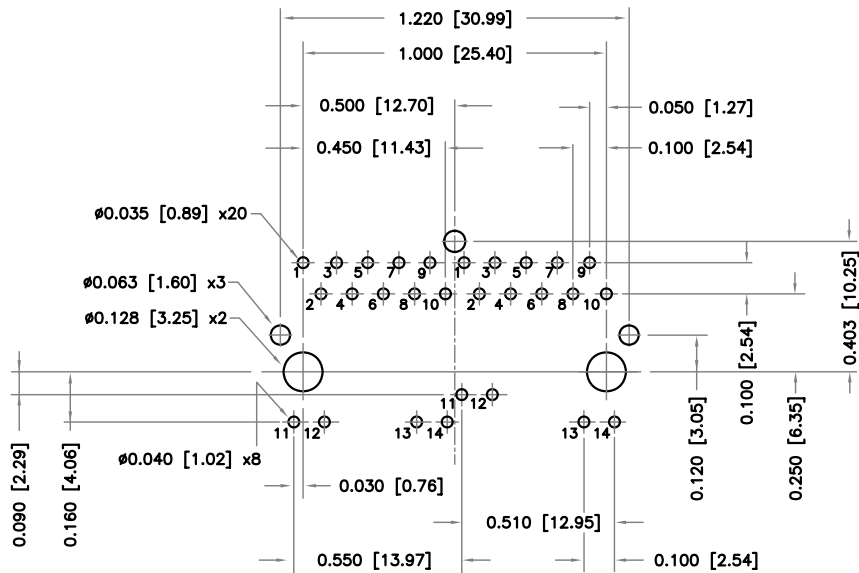


ELECTRICAL SPECIFICATIONS @25° C

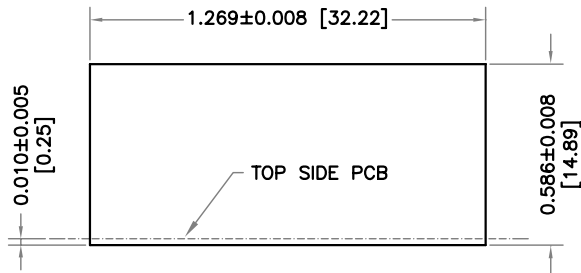
URNS RATIO	1:1±3%
OCL (100KHz,0.1V,8mA)	350µH min
INSERTION LOSS 1-100MHz	-1.1dB max
RETURN LOSS 1-40MHz	-18dB min
60MHz	-14dB min
80MHz	-12dB min
100MHz	-10dB min
CROSSTALK 1-100MHz	-35dB typ
CMR 0.1-30MHz	-50dB typ
30-60MHz	-40dB typ
60-100MHz	-35dB typ
ISOLATION	1,500Vrms



HALO/PBL	TITLE	FastJack™ 1x2	SIGNATURES	DATE	REV.	DESC.	DATE
	FOR	GIGABIT ETHERNET	DRAWN	PETER LU	8/17/06	A	
CALIFORNIA, USA KOWLOON, HONG KONG SINGAPORE	PART NO.	HFJ12-1G01ER-L12RL	CHECKED				
	SCALE	NONE	APPROVED				
	PAGE	1 OF 2	FILE	HFJ121G01ER-L12RL.DWG			



RECOMMENDED P.C. BOARD PATTERN (COMP. SIDE)
TOLERANCES ± 0.002 [0.05] UNLESS SPECIFIED



RECOMMENDED PANEL CUTOUT

HALO/PBL

CALIFORNIA, USA
KOWLOON, HONG KONG
SINGAPORE

TITLE	FastJack™ 1x2	SIGNATURES	DATE	REV.	DESC.	DATE
FOR	GIGABIT ETHERNET	DRAWN	PETER LU	8/17/06	A	
PART NO.	HFJ12-1G01ER-L12RL	CHECKED				
SCALE	NONE	APPROVED				
PAGE	2 OF 2	FILE	HFJ121G01ER-L12RL.DWG			