

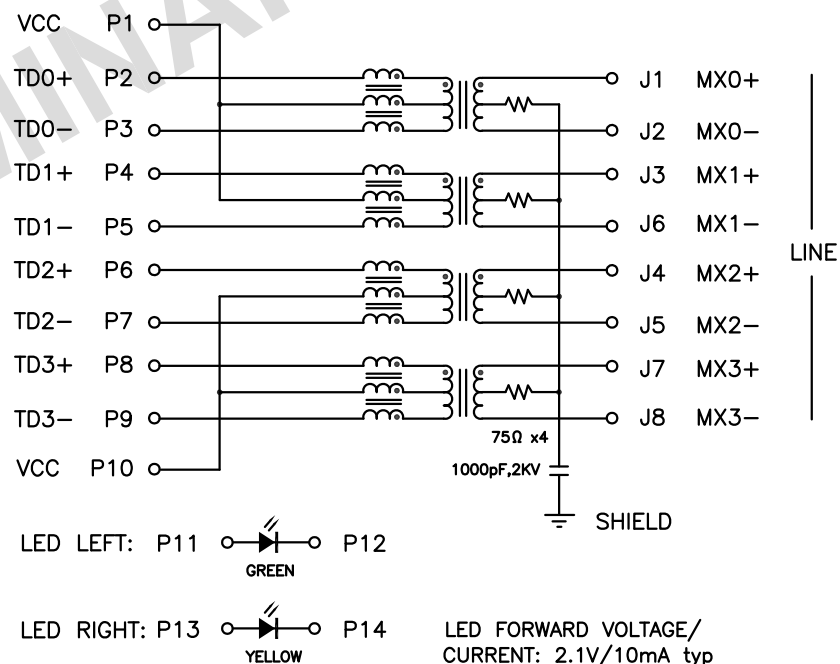


# PART NO. : HFJT1-10G26-L12RL

FASTJACK™ (TABUP) WITH 10BASE-T MAGNETICS  
 DESIGNED FOR IEEE802.3 10GIGABIT ETHERNET APPLICATIONS  
 RoHS COMPLAINT  
 COMPATIBLE TO LEAD-FREE WAVE SOLDERING PROCESS  
 FOR THROUGH HOLE COMPONENTS  
 UL/EN60950 RECOGNIZED  
 OPERATING TEMPERATURE 0/70°C

## ELECTRICAL SPECIFICATIONS @ 25°C

URNS RATIO	1CT:1CT
DCR (PRIMARY)	0.8Ω max
INSERTION LOSS	
1-500MHz	-1.4dB nom
RETURN LOSS	
1-10MHz	-19dB min
10-40MHz	-24+5log[F]dB min
40-400MHz	-32+10log[F]dB min
400-500MHz	-6dB min
CDMR	
1-250MHz	-30dB min
250-500MHz	-22dB min
CROSSTALK	
1-100MHz	-30dB min
100-500MHz	-20dB min
ISOLATION	1,500Vrms



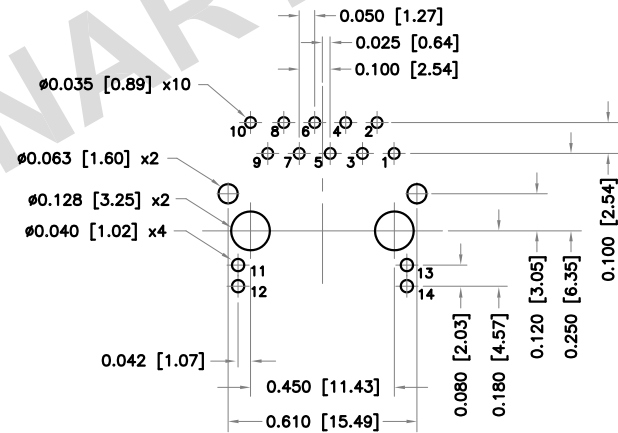
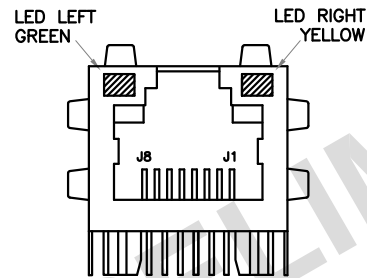
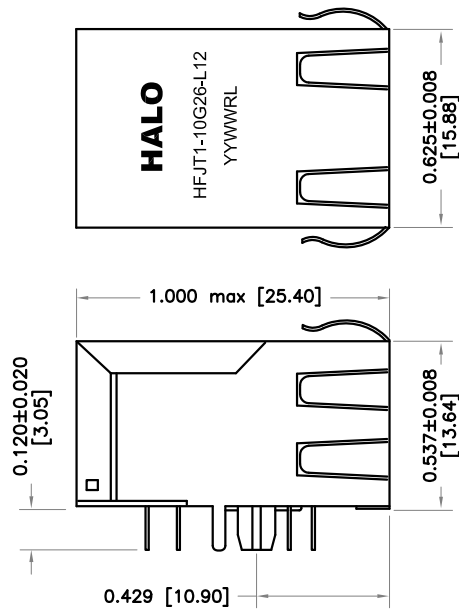
LINE



**HALO/PBL**

CALIFORNIA, USA  
 KOWLOON, HONG KONG  
 SINGAPORE

TITLE	FastJack™ SINGLE		SIGNATURES	DATE	REV.	DESC.	DATE
FOR	10 GIGABIT ETHERNET		DRAWN	LI ZHI ZHONG	1/15/09	A	FIRST ISSUE
PART NO.	HFJT1-10G26-L12RL		CHECKED	LEI KEONG	5/14/12	B	UPDATE
SCALE	NONE	PAGE	APPROVED	PETER LU	5/14/12		
		1 OF 2	FILE	HFJT1-10G26-L12RL.DWG			



RECOMMENDED P.C. BOARD PATTERN (COMP. SIDE)

Housing Material: Polyester, Black UL94V-0  
 Contacts: Phosphor Bronze 30µin Au plating over Ni  
 Leads: Matte Sn over Ni  
 Shield: Cu Alloy with Ni plating 40µin min  
 Durability: 1000 mating cycles  
 Dimensions: Inch [mm]

**HALO/PBL**

CALIFORNIA, USA  
 KOWLOON, HONG KONG  
 SINGAPORE

TITLE	FastJack™ SINGLE	SIGNATURES		DATE		REV.		DESC.		DATE	
FOR	10 GIGABIT ETHERNET	DRAWN	LI ZHI ZHONG	1/15/09	A	FIRST ISSUE	1/15/09				
PART NO.	HFJT1-10G26-L12RL	CHECKED	LEI KEONG	5/14/12	B	UPDATE	5/14/12				
SCALE	NONE	APPROVED	PETER LU	5/14/12							
PAGE	2 OF 2	FILE	HFJT1-10G26-L12RL.DWG								