

**300mA Low-Dropout Linear Regulators****Features**

- Low, 100 μ A No-Load Supply Current
- Guaranteed 300mA Output Current
- Dropout Voltage is 100mV @ 100mA Load
- Over-Temperature Protection and Short-Circuit Protection
- Max. Supply Current in Shutdown Mode < 1 μ A
- Stable with Low Cost Ceramic Capacitors

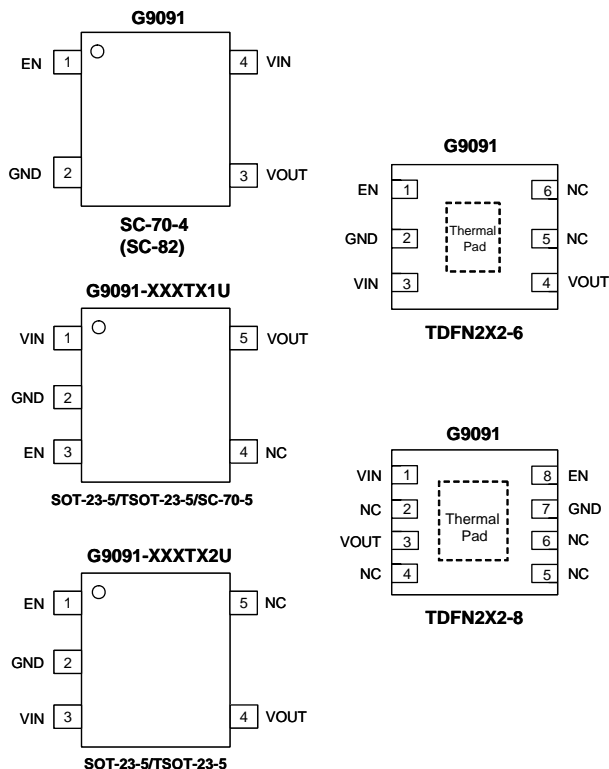
Applications

- Notebook Computers
- Cellular Phones
- PDAs
- Digital still Camera and Video Recorders
- Hand-Held Devices
- Bar Code Scanners

General Description

The G9091 is a low supply current, low dropout linear regulator that comes in a space saving SOT-23-5, TSOT-23-5, SC-70-4(SC-82), SC-70-5, TDFN2X2-6 and TDFN2X2-8 package. The supply current at no-load is 100 μ A. In the shutdown mode, the maximum supply current is less than 1 μ A. The over-current protection limit is set at 430mA typical. An overtemperature protection circuit is built-in in the G9091 to prevent thermal overload. These power saving features make the G9091 ideal for use in the battery-powered applications such as notebook computers, cellular phones, and PDA's.

These devices feature a shutdown function and are offered in active low with auto discharge. The G9091 is specifically designed to employ ceramic output capacitors. The G9091 comes in a space saving SOT-23-5, TSOT-23-5, SC-70-4(SC-82), SC-70-5, TDFN2X2-6 and TDFN2X2-8 package.

Pin Configuration**Typical Application Circuit**