

620-049
Strain Relief
Self-Locking Rotatable Coupling - 45°



**CONNECTOR
DESIGNATOR**

MIL-DTL-38999 Series I, II (F)
MIL-DTL-38999 Series III and IV (H)

F-H

SELF-LOCKING

**ROTATABLE
COUPLING**

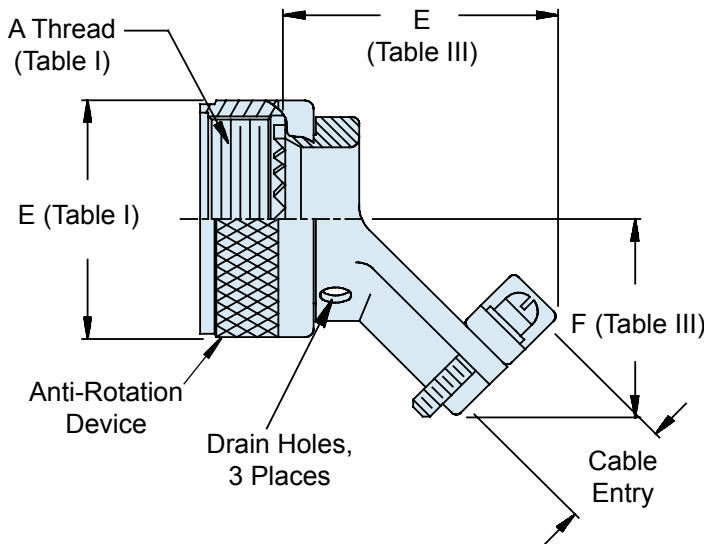
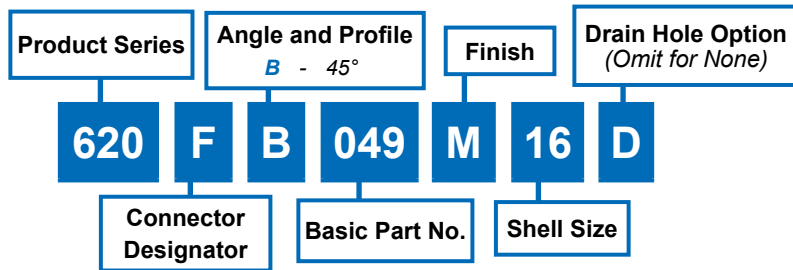


TABLE II: FINISHES	
Symbol	Finish
B	Cadmium Plate, Olive Drab
C	Anodize, Black
GB	Black Anodize, Hard Coat
M	Electroless Nickel
N	Cad Plate, Olive Drab over Electroless Nickel
NF	Cadmium Plate, Olive Drab over Electroless Nickel
MT	Ni-PTFE 1000 Hour Grey™ Nickel Fluorocarbon Polymer
Z1	Stainless Steel Passivate
ZN	Zinc-Nickel

TABLE III: CABLE ENTRY				
Shell Size	E Max	F Max	Cable Range	
			Closed	Open
08/09	1.536 (39.0)	.730 (18.5)	.125 (3.2)	.204 (5.2)
10/11	1.566 (39.8)	.810 (20.6)	.187 (4.7)	.286 (7.3)
12/13	1.646 (41.8)	.870 (22.1)	.291 (7.4)	.416 (10.6)
14/15	1.686 (42.8)	.930 (23.6)	.351 (8.9)	.476 (12.1)
16/17	1.796 (45.6)	.990 (25.1)	.501 (12.7)	.626 (15.9)
18/19	1.906 (48.4)	1.110(28.2)	.518 (13.2)	.706 (17.9)
20/21	1.956 (49.7)	1.170 (29.7)	.581 (14.8)	.831 (21.1)
22/23	1.996 (50.7)	1.240 (31.5)	.644 (16.4)	.956 (24.3)
24/25	2.046 (52.0)	1.300 (33.0)	.706 (17.9)	1.081 (27.5)

APPLICATION NOTES

1. Cable range is defined as the accommodation range for the wire bundle or cable. Dimensions shown are not intended for inspection criteria.
2. Metric dimensions (mm) are indicated in parentheses.

