

Series 804 Receptacles – Crimp Termination



**In-Line**  
804-003-01



**Rear Panel Jam Nut Mount**  
804-003-07



**Front Panel Jam Nut Mount**  
804-003-00

**Integral Band Platform** for direct attachment of a cable shield. Install a boot, or overmold a boot over the band platform. An accessory thread is available for attaching strain reliefs and backshells.

**Three Shell Options:** Jam nut with o-ring for front or rear panel mounting, or in-line receptacles for free-hanging cables.

HOW TO ORDER

Sample Part Number

804-003

-01

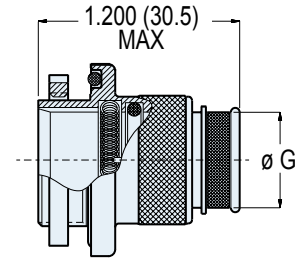
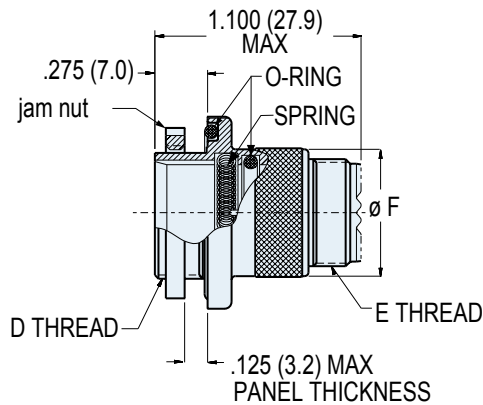
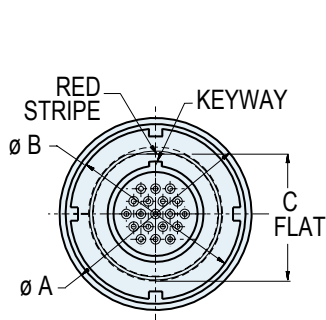
M

7-10

P

Series	Shell Style	Shell Material / Finish	Shell Size- Insert Arrangement	Contact Type	Shell Key Position			
<p><b>804-003</b> Receptacle with Banding Platform</p>	<p><b>-00</b> Jam Nut for Front Panel Mounting</p>	<p><b>C</b> Aluminum / Black Anodize</p> <p><b>M</b> Aluminum / Electroless Nickel</p> <p><b>NF</b> Aluminum / Cadmium with Olive Drab Chromate</p> <p><b>ZN</b> Aluminum / Zinc-Nickel with Olive Drab Chromate</p> <p><b>ZNU</b> Aluminum / Zinc-Nickel with Black Chromate</p> <p><b>Z1</b> Stainless Steel / Passivated</p>	<p><b>5-3</b> 3 #23 Contacts <b>6-1</b> 1 #16 Contact <b>6-4</b> 4 #23 Contacts <b>6-7</b> 7 #23 Contacts <b>7-1</b> 1 #12 Contact <b>7-10</b> 10 #23 Contacts <b>8-13</b> 13 #23 Contacts <b>9-4</b> 4 #16 Contacts <b>9-19</b> 19 #23 Contacts <b>10-26</b> 26 #23 Contacts <b>12-2</b> 2 #12 Contacts <b>12-37</b> 37 #23 Contacts <b>14-55</b> 55 #23 Contacts <b>15-85</b> 85 #23 Contacts</p> <p>#23 contacts are packaged with connectors. #16 and #12 contacts must be ordered separately.</p>	<p>Standard #23 contacts accept #22 through #28 AWG wire. Use the following contact codes to specify these contacts:</p> <p><b>P</b> Pin</p> <p><b>S</b> Socket</p> <p>Special contacts for #26 to #30 AWG are also available. Use the following contact codes to specify these contacts:</p> <p><b>G</b> Pin</p> <p><b>H</b> Socket</p>	<p><b>Omit</b> for Single Master Key</p> <p><b>A</b> Pos. A (Normal)</p> <p><b>B</b> Pos. B</p> <p><b>C</b> Pos. C</p> <p><b>D</b> Pos. D</p>			
						<p><b>804-004</b> Receptacle with Accessory Thread</p>	<p><b>-01</b> In-Line for Free-Hanging Cable</p>	<p><b>-07</b> Jam Nut for Rear Panel Mounting</p>

## Series 804 Receptacles – Jam Nut Rear Panel



**Accessory Thread**  
804-004-07

**Integral Band Platform**  
804-003-07

### DIMENSIONS

Shell Size	Ø A		Ø B		C Flat		D Threads	E Threads	Ø F		Ø G	
	In.	mm.	In.	mm.	In.	mm.			In.	mm.	In.	mm.
5	.790	20.07	.562	14.27	.415	10.54	.4375-32 UN-2A	.2500-32 UNEF-2A	.450	11.43	.246	6.25
6	.830	21.08	.625	15.87	.467	14.40	.5000-32 UN-2A	.3125-32 UNEF-2A	.520	13.21	.286	7.26
7	.910	23.11	.750	19.05	.594	15.09	.6250-28 UN-2A	.4375-28 UNEF-2A	.580	14.73	.390	9.91
8	.955	24.26	.750	19.05	.594	15.09	.6250-28 UN-2A	.5000-28 UNEF-2A	.603	15.32	.442	11.23
9	1.000	25.40	.812	20.62	.655	16.64	.6875-28 UN-2A	.5625-24 UNEF-2A	.695	17.65	.500	12.70
10	1.085	27.48	.875	22.22	.721	18.31	.7500-28 UN-2A	.6250-24 UNEF-2A	.735	18.67	.564	14.33
12	1.180	29.97	1.000	25.40	.843	21.41	.8750-28 UN-2A	.6875-24 UNEF-2A	.880	22.35	.650	16.51
14	1.325	33.66	1.125	28.57	.968	24.59	1.0000-28 UN-2A	.9375-20 UNEF-2A	1.010	25.65	.805	20.45
15	1.390	35.31	1.188	30.17	1.029	26.14	1.0625-20 UN-2A	.9375-20 UNEF-2A	1.060	26.92	.850	21.59

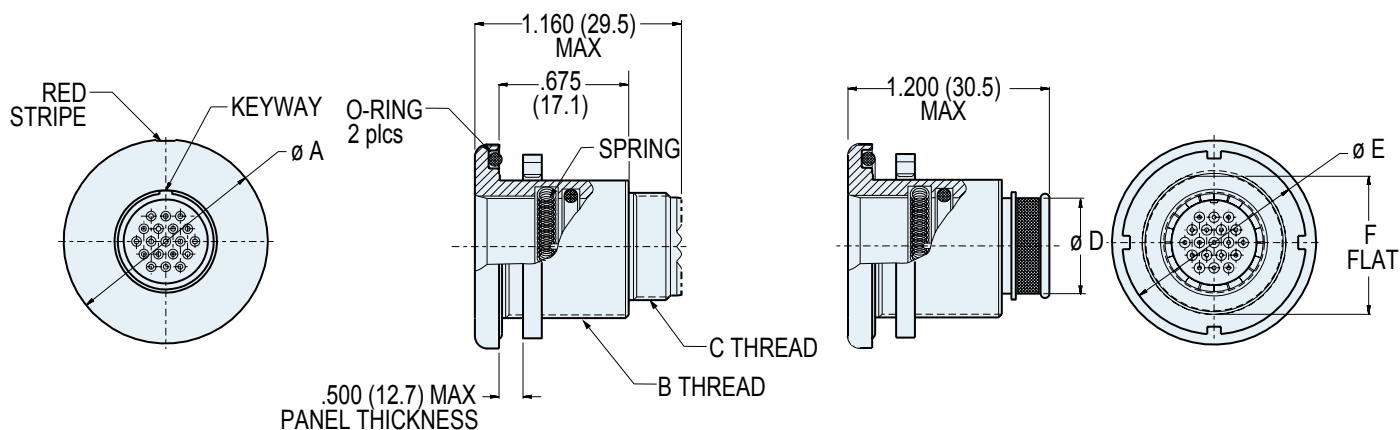
### ALTERNATE KEY POSITIONS

Pos.	A°	B°
A	150°	210°
B	75°	210°
C	95°	230°
D	140°	275°

### JAM NUT PANEL CUTOUT

Shell Size	A Flat		Ø B	
	In. ± .002	mm. ± 0.05	In.	mm.
5	.425	10.80	.448	11.38
6	.477	12.12	.510	12.95
7	.604	15.34	.635	16.13
8	.604	15.34	.635	16.13
9	.665	16.89	.695	17.65
10	.731	18.57	.760	19.30
12	.853	21.67	.885	22.48
14	.978	24.84	1.010	25.65
15	1.039	26.39	1.070	27.18

## Series 804 Receptacles – Jam Nut Front Panel



**Accessory Thread**  
804-004-00

**Integral Band Platform**  
804-003-00

### DIMENSIONS

Shell Size	Ø A		B Threads	C Threads	Ø D		Ø E		F Flat	
	In.	mm.			In.	mm.	In.	mm.	In.	mm.
5	.830	21.08	.5000-32 UN-2A	.2500-32 UNEF-2A	.246	6.25	.625	15.87	.470	11.94
6	.885	22.48	.6250-28 UN-2A	.3125-32 UNEF-2A	.286	7.26	.688	17.47	.530	13.46
7	.995	25.27	.6875-28 UN-2A	.4375-28 UNEF-2A	.390	9.91	.812	20.62	.663	16.84
8	.995	25.27	.6875-28 UN-2A	.5000-28 UNEF-2A	.442	11.23	.812	20.62	.663	16.84
9	1.075	27.31	.7500-28 UN-2A	.5625-24 UNEF-2A	.500	12.70	.875	22.22	.720	18.29
10	1.140	28.95	.8125-28 UN-2A	.6250-24 UNEF-2A	.564	14.33	.938	23.82	.788	20.02
12	1.340	34.04	1.0000-28 UN-2A	.6875-24 UNEF-2A	.650	16.51	1.125	28.57	.970	24.64
14	1.390	35.31	1.0625-20 UN-2A	.9375-20 UNEF-2A	.805	20.45	1.162	29.51	1.020	25.91
15	1.450	36.83	1.1250-28 UN-2A	.9375-20 UNEF-2A	.850	21.59	1.250	31.75	1.093	27.76

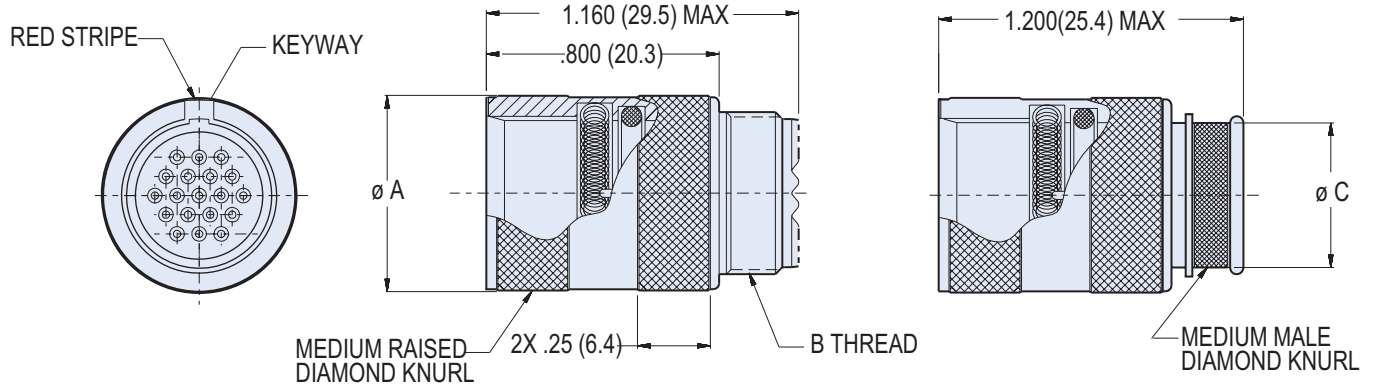
### ALTERNATE KEY POSITIONS

Pos.	A°	B°
A	150°	210°
B	75°	210°
C	95°	230°
D	140°	275°

### JAM NUT PANEL CUTOUT

Shell Size	A Flat		Ø B	
	In. ± .002	mm. ± 0.05	In.	mm.
5	.480	12.19	.510	12.95
6	.540	13.72	.575	14.61
7	.674	17.12	.698	17.73
8	.674	17.12	.698	17.73
9	.730	18.54	.760	19.30
10	.799	20.29	.822	20.88
12	.980	24.89	1.010	25.65
14	1.030	26.16	1.075	27.31
15	1.013	25.73	1.135	28.83

Series 804 Receptacles – In-Line



**Accessory Thread**  
804-004-01

**Integral Band Platform**  
804-003-01

DIMENSIONS					
Shell Size	Ø A		B Threads	Ø C	
	In.	mm.		In.	mm.
5	.450	11.43	.2500-32 UNEF-2A	.246	6.25
6	.520	13.21	.3125-32 UNEF-2A	.286	7.26
7	.580	14.73	.4375-28 UNEF-2A	.390	9.91
8	.603	15.32	.5000-28 UNEF-2A	.442	11.23
9	.695	17.65	.5625-24 UNEF-2A	.500	12.70
10	.735	18.67	.6250-24 UNEF-2A	.564	14.33
12	.880	22.35	.6875-24 UNEF-2A	.650	16.51
14	1.010	25.65	.9375-20 UNEF-2A	.805	20.45
15	1.060	26.92	.9375-20 UNEF-2A	.850	21.59

ALTERNATE KEY POSITIONS			
Pos.	A°	B°	
A	150°	210°	
B	75°	210°	
C	95°	230°	
D	140°	275°	