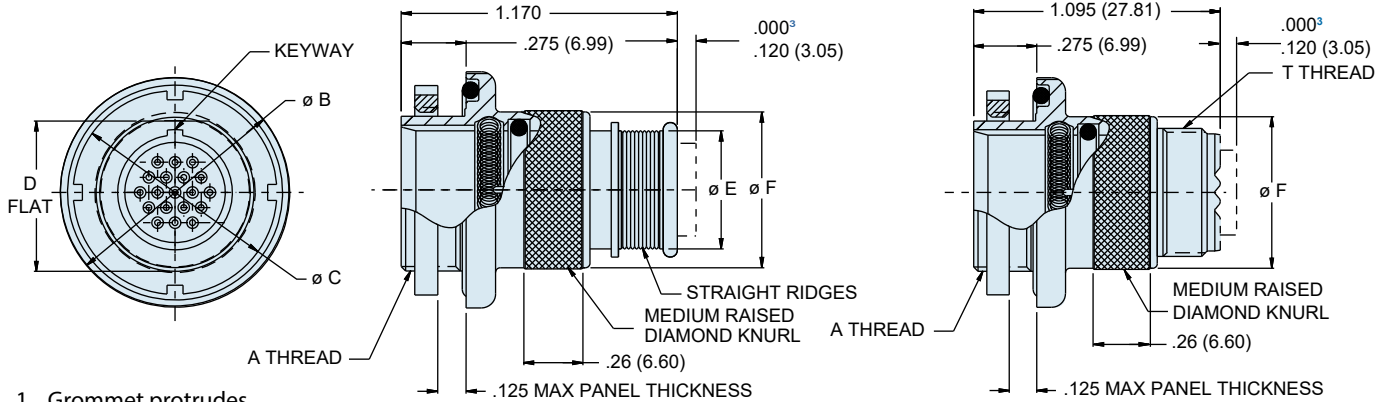


Series 804 Push-Pull Mighty Mouse Receptacle Connector

804-004-07 and 804-003-07 Dimensions

Jam-nut, rear panel mount receptacle - shell style 07



1. Grommet protrudes for power/combo arrangements

Integral Band Platform

804-003-07

Accessory Thread

804-004-07

Dimensions							
Shell Size	A Thread	Ø B	Ø C	D Flat	Ø E	Ø F	T Threads
5	.4375-32 UN-2A	.760 (19.30)	.562 (14.27)	.415 (10.54)	.246 (6.25)	.450 (11.43)	.2500-32 UNEF-2A
6	.5000-32 UN-2A	.825 (20.96)	.625 (15.88)	.467 (11.86)	.286 (7.26)	.480 (12.19)	.3125-32 UNEF-2A
7	.6250-28 UN-2A	.900 (22.86)	.750 (19.05)	.594 (15.09)	.390 (9.91)	.580 (14.73)	.4375-28 UNEF-2A
8	.6250-28 UN-2A	.945 (24.00)	.750 (19.05)	.594 (15.09)	.442 (11.23)	.603 (15.32)	.5000-28 UNEF-2A
9	.6875-28 UN-2A	1.000 (25.40)	.812 (20.62)	.655 (16.64)	.500 (12.70)	.690 (17.53)	.5625-24 UNEF-2A
10	.7500-28 UN-2A	1.075 (27.30)	.875 (22.23)	.721 (18.31)	.564 (14.33)	.735 (18.67)	.6250-24 UNEF-2A
11	.8125-28 UN-2A	1.135 (28.83)	.938 (23.83)	.790 (20.02)	.608 (15.44)	.810 (20.57)	.6875-24 UNEF-2A
12	.8750-28 UN-2A	1.190 (30.18)	1.000 (25.40)	.843 (21.41)	.650 (16.51)	.880 (22.35)	.6875-24 UNEF-2A
14	1.0000-28 UN-2A	1.312 (33.65)	1.125 (28.58)	.968 (24.59)	.805 (20.45)	.973 (24.71)	.9375-20 UNEF-2A

Jam-Nut Rear Panel Mount Cutout Dimensions		
Shell Size	A Flat	Ø B
5	.425 (10.80)	.448 (11.38)
	.421 (10.69)	.443 (11.25)
6	.477 (12.12)	.510 (12.95)
	.473 (12.01)	.505 (12.83)
7	.604 (15.34)	.635 (16.13)
	.600 (15.24)	.630 (16.00)
8	.604 (15.34)	.635 (16.13)
	.600 (15.24)	.630 (16.00)
9	.665 (16.89)	.698 (17.73)
	.661 (16.79)	.693 (17.60)
10	.731 (18.57)	.760 (19.30)
	.727 (18.47)	.755 (19.18)
11	.800 (20.32)	.823 (20.90)
	.796 (20.22)	.880 (22.35)
12	.853 (21.67)	.885 (22.48)
	.849 (21.56)	.880 (22.35)
14	.978 (24.84)	1.010 (25.65)
	.974 (24.74)	1.005 (25.53)

Material and Finish

- Shell, jam-nut: aluminum alloy or CRES / see how to order table
- Insulator: LCP
- Interfacial seal, O-ring, grommet: fluorosilicone / N.A.
- Contact: copper alloy / gold plate per ASTM B 488, Type II, Code C, Class 1.25, over suitable underplate
- Spring: CRES / gold plated

Dimensions in Inches (millimeters) are subject to change without notice.

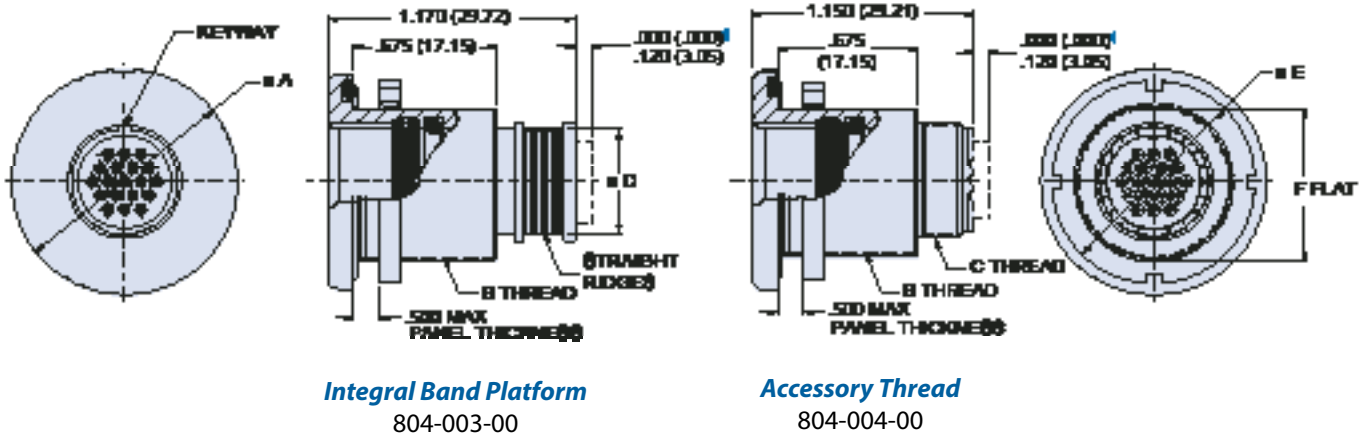
Series 804 Push-Pull Mighty Mouse Receptacle Connector

804-004-00 and 804-003-00 Dimensions



Series 804

Jam-nut, front panel mount receptacle - shell style 00



Dimensions						
Shell Size	Ø A	B Threads	C Threads	Ø D	Ø E	F Flat
5	.830 (21.08)	.5000-32 UN-2A	.2500-32 UNEF-2A	.246 (6.25)	.625 (15.88)	.470 (11.94)
6	.885 (22.48)	.5625-32 UN-2A	.3125-32 UNEF-2A	.286 (7.26)	.688 (17.48)	.530 (13.46)
7	.995 (25.27)	.6875-28 UN-2A	.4375-28 UNEF-2A	.390 (9.91)	.812 (20.62)	.663 (16.84)
8	.995 (25.27)	.6875-28 UN-2A	.5000-28 UNEF-2A	.442 (11.23)	.812 (20.62)	.663 (16.84)
9	1.065 (27.05)	.7500-28 UN-2A	.5625-24 UNEF-2A	.500 (12.70)	.875 (22.23)	.715 (18.16)
10	1.140 (28.96)	.8125-28 UN-2A	.6250-24 UNEF-2A	.564 (14.33)	.938 (23.83)	.790 (20.07)
11	1.190 (30.23)	.8750-28 UN-2A	.6875-24 UNEF-2A	.608 (15.44)	1.000 (25.40)	.843 (21.41)
12	1.340 (34.04)	1.0000-28 UN-2A	.6875-24 UNEF-2A	.650 (16.51)	1.125 (28.58)	.972 (24.69)
14	1.390 (35.31)	1.0620-20 UN-2A	.9375-20 UNEF-2A	.805 (20.45)	1.162 (29.51)	1.022 (25.96)

Jam-Nut Front Panel Mount Cutout Dimensions		
Shell Size	N Flat	Ø M
5	.482 (12.24) .478 (12.14)	.510 (12.95)
6	.542 (13.77) .538 (13.67)	.575 (14.60)
7	.676 (17.17) .671 (17.04)	.698 (17.73)
8	.676 (17.17) .671 (17.04)	.698 (17.73)
9	.732 (18.59) .728 (18.49)	.760 (19.30)
10	.801 (20.35) .796 (20.22)	.822 (20.88)
11	.855 (21.72) .851 (21.62)	.885 (22.48)
12	.982 (24.94) .978 (24.84)	1.010 (25.65)
14	1.032 (26.21) 1.028 (26.11)	1.075 (27.30)

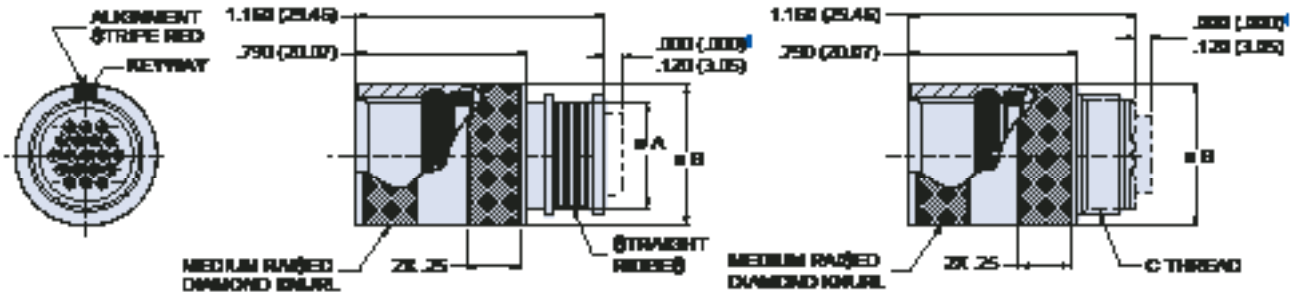
Material and Finish

- Shell: aluminum alloy or CRES / see how to order table
- Insulator: LCP
- Interfacial seal, O-ring, grommet: fluorosilicone / N.A.
- Contact: copper alloy / gold plate per ASTM B 488, Type II, Code C, Class 1.25, over suitable underplate
- Spring: CRES / gold plated

Dimensions in Inches (millimeters) are subject to change without notice.

G

Cable receptacle - shell style 01



Integral Band Platform

804-003-01

Accessory Thread

804-004-01

Dimensions			
Shell Size	Ø A	Ø B	C Threads
5	.246 (6.25)	.450 (11.43)	.2500-32 UNEF-2A
6	.286 (7.26)	.480 (12.19)	.3125-32 UNEF-2A
7	.390 (9.91)	.580 (14.73)	.4375-28 UNEF-2A
8	.442 (11.23)	.603 (15.32)	.5000-28 UNEF-2A
9	.500 (12.70)	.690 (17.53)	.5625-24 UNEF-2A
10	.564 (14.33)	.735 (18.67)	.6250-24 UNEF-2A
11	.608 (15.44)	.810 (20.57)	.6875-24 UNEF-2A
12	.650 (16.51)	.880 (22.35)	.6875-24 UNEF-2A
14	.805 (20.45)	.973 (24.71)	.9375-20 UNEF-2A

Material and Finish

- Shell: aluminum alloy or CRES / see how to order table
- Insulator: LCP
- Interfacial seal, O-ring, grommet: fluorosilicone / N.A.
- Contact: copper alloy / gold plate per ASTM B 488, Type II, Code C, Class 1.25, over suitable underplate
- Spring: CRES / gold plated

Dimensions in Inches (millimeters) are subject to change without notice.