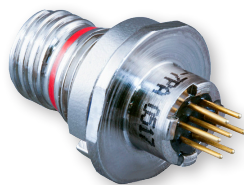




# Series 801 Mighty Mouse *High-Speed* Double-Start ACME Threads 801-038 and -041 PCB Receptacle Ordering Information



**Printed Circuit Board Receptacles** feature low profile shells for minimum protrusion inside enclosures and integral standoffs for board washout. The connector is equipped with special PFA (Fluoropolymer) insulators and optimized for use with high-speed differential wire such as our 963-001 series cable. Five insert arrangements available including 4, 7, 10, 19 and 26. PC tail or solder cup terminations. Contacts are non-removable.

**Water Immersion, Unmated** Specify 801-038 connectors for applications where open face water immersion is not a requirement. For MIL-STD-810 Method 512G immersion requirements, specify 801-041 watertight connectors. 801-041 connectors are identical to 801-038 but come specially sealed ("MOD-518") and are 100% tested to maintain a helium leak rate of  $1 \times 10^{-4}$  cc/second at one atmosphere pressure differential.

P

How To Order						
<b>Sample Part Number</b>	<b>801-038</b>	<b>-07</b>	<b>M</b>	<b>7-10</b>	<b>P</b>	<b>A</b>
<b>Series</b>	<b>801-038</b> = PCB or Solder Cup Terminated Receptacle with Standard Epoxy Potting. <b>801-041</b> = PCB or Solder Cup Terminated Receptacle with Special Mod Code 518 Sealing for Open Face (Unmated) Water Immersion Requirements. 100% Leak Tested.					
<b>Shell Style (See Table I)</b>	<b>-02</b> = Square Flange For Front or Rear Mounting <b>-07</b> = Jam Nut For Rear Panel Mounting					
<b>Shell Material and Finish</b>	<b>M</b> = Aluminum / Electroless Nickel RoHS Compliant <b>NF</b> = Aluminum / Cadmium with Olive Drab Chromate <b>ZNU</b> = Aluminum / Zinc-Nickel with Black Chromate <b>MT</b> = Aluminum / Nickel-PTFE RoHS Compliant <b>Z1</b> = Stainless Steel / Passivated RoHS Compliant					
<b>Shell Size - Insert Arrangement</b>	<b>6-4, 6-7, 7-10, 9-19, 10-26</b> (See page P-3)					
<b>Contact Type</b>	<b>P</b> = Pin, PC Tail		<b>E</b> = Pin, Solder Cup			
	<b>S</b> = Socket, PC Tail		<b>F</b> = Socket, Solder Cup			
<b>Shell Key Positions</b>	<b>A</b> = Normal <b>B</b> = Pos. B <b>C</b> = Pos. C <b>D</b> = Pos. D <b>E</b> = Pos. E <b>F</b> = Pos. F (See Page P-3)					

Table I: Shell Style

<b>-02</b> Square Flange	<b>-07</b> Jam Nut

## NOTES

1. Contacts are size 23 and non-removable, connector is back potted
2. For additional insert arrangements consult factory
3. To achieve high-speed performance this connector must be mated to another high-speed mighty mouse connector (801-036 or 801-039).
4. This connector mates with all quick coupling high-density plug connectors with same polarization and opposite contact gender, (801-001, 801-002, 801-007 and 801-008)

Table II: Shell Size – Insert Arrangement

<b>6-4</b>	<b>6-7</b>	<b>7-10</b>	<b>9-19</b>	<b>10-26</b>

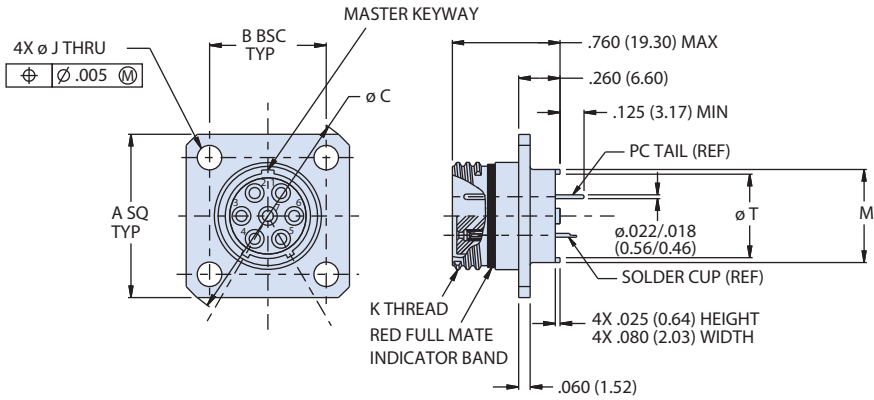
Dimensions in Inches (millimeters) are subject to change without notice.

**Series 801 Mighty Mouse High-Speed  
Double-Start ACME Threads  
-02 Square Flange and -07 Jam Nut Dimensions**



Series 801  
High-Speed

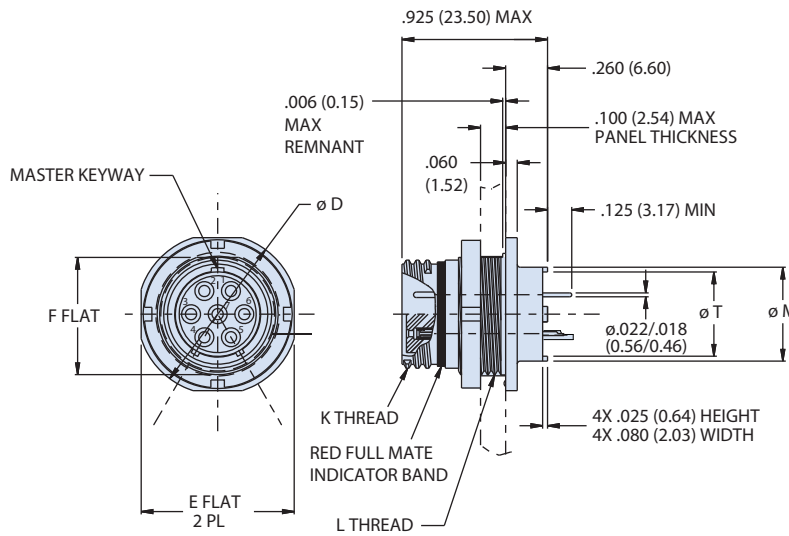
**Square flange front or rear panel mount receptacle - shell style 02**



801-038-02  
**Square Flange**

Square Flange Panel Cutout			
Shell Size	$\phi$ B BSC	$\phi$ J	$\phi$ R
6	.423 (0.02)	.096 (0.00)	.390 (0.02)
7	.483 (0.02)	.091 (0.00)	.450 (0.02)
9	.607 (0.02)	.130 (0.01)	.575 (0.02)
10	.670 (0.03)	.126 (0.00)	.640 (0.03)

**Jam nut rear panel mount receptacle - shell style 07**



801-038-07  
**Jam Nut**

Jam Nut Panel Cutout		
Shell Size	N Flat In. $\pm$ .002	$\phi$ P
6	.416 (0.02)	.448 (0.02)
7	.542 (0.02)	.573 (0.02)
9	.602 (0.02)	.635 (0.03)
10	.666 (0.03)	.698 (0.03)



Dimensions											
Shell Size	A SQ	B BSC	$\phi$ C	$\phi$ D	E FLAT	F FLAT	J HOLES	K THREAD	L THREAD	$\phi$ M	$\phi$ T
6	.590 (0.02)	.423 (0.02)	.750 (0.03)	.635 (0.03)	.595 (0.02)	.410 (0.02)	.096 (0.00)	.3750-.05P-.1L-2A	.4375-28 UNEF-2A	.330 (0.01)	.238 (0.01)
7	.650 (0.03)	.483 (0.02)	.850 (0.03)	.755 (0.03)	.723 (0.03)	.536 (0.02)	.091 (0.00)	.4375-.05P-.1L-2A	.5625-28 UN-2A	.432 (0.02)	.327 (0.01)
9	.850 (0.03)	.607 (0.02)	1.125 (0.04)	.830 (0.03)	.790 (0.03)	.596 (0.02)	.130 (0.01)	.5625-.05P-.1L-2A	.6250-28 UN-2A	.551 (0.02)	.446 (0.02)
10	.890 (0.04)	.670 (0.03)	1.188 (0.05)	.890 (0.04)	.855 (0.03)	.658 (0.03)	.126 (0.00)	.6250-.05P-.1L-2A	.6875-28 UN-2A	.620 (0.02)	.516 (0.02)

Dimensions in Inches (millimeters) are subject to change without notice.

**Square flange and jam nut PCB footprints**

Straight PCB Pin Footprints (socket connector numbers are reversed)		
<p>Pin Connector 6-4</p>	<p>Pin Connector 6-7</p>	<p>Socket Connector 7-10</p>
<p>Pin Connector 9-19</p>	<p>Pin Connector 10-26</p>	

**Material and Finish**

- Plug Barrel, Coupling Nut: Aluminum Alloy or Stainless Steel
- Insulator: PFA  
Potting Compound: Epoxy
- Interfacial Seal, Grommet Seal: Fluorosilicone
- Contact: Copper Alloy/Gold Plate

P

Dimensions in Inches (millimeters) are subject to change without notice.