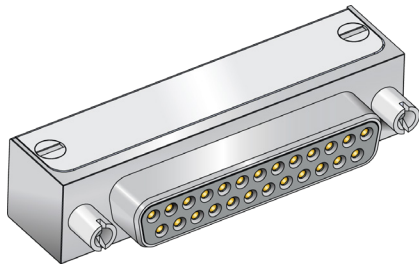


280-029S right angle PC tail socket connectors with low profile mounting flange

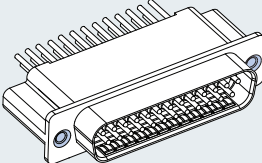
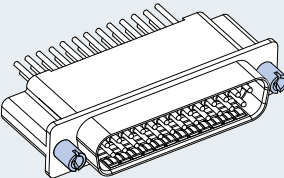


Low profile right angle PC tail HiPer-D® socket connectors feature rugged machined aluminum shell and stainless steel cover for improved EMI protection. Contacts are non-removable size, #20 or #22. Intermateable with standard M24308-type D-Subminiature connectors, the HiPer-D® features epoxy potting for environmental sealing. Threaded holes on the rear of the connector allow attachment to circuit board. Glass-reinforced thermoset epoxy insulators. 1000 VAC, 5 Amps (#22) or 7.5 Amps (#20).

B

How To Order		280-029S	3S25	JF	P	A
Sample Part Number						
Basic Part Number	280-029S					
Shell Size-Contact Arrangement	See Shell Size - Contact Arrangements Table					
Shell Finish	ME = Electroless Nickel MT = Nickel-PTFE JF = Cadmium with Yellow Chromate Z2 = Gold Z1 = Passivated Stainless Steel					
Mating Hardware	N = No Hardware (supplied with #4-40 tapped holes) P = #4-40 Female Jackposts					
PC Tail Length	A = .125 (3.18) Tail Length B = .250 (6.35) Tail Length					

Shell Size - Contact Arrangements		
Shell Size-Contact Arr.	Contact Size and Qty	
	#20	#22
Standard Density		
1S9	9	
2S15	15	
3S25	25	
4S37	37	
5S50	50	
High Density		
1H15		15
2H26		26
3H44		44
4H62		62
5H78		78
6H104		104

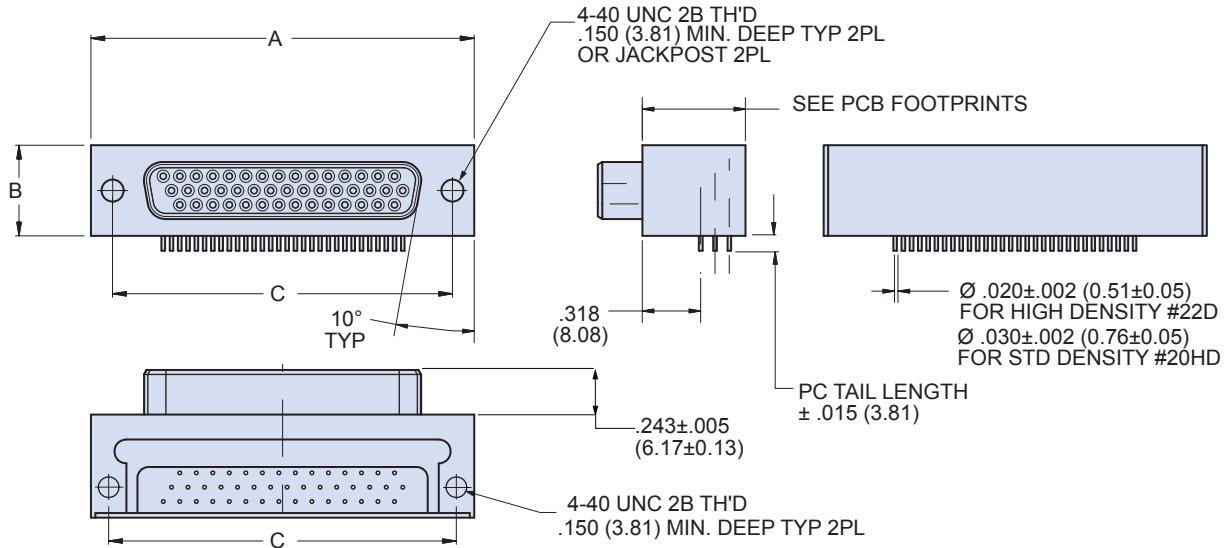
Mating Hardware
<p>N</p> <p>No Hardware</p> <p>#4-40 Female Threads in Mounting Holes</p> 
<p>Choose this option for rear panel mounting and order jackpost kit 289-016 separately.</p>
<p>P</p> <p>#4-40 Female Jackposts</p> 

Materials and Finishes	
Shell	Aluminum alloy
Contacts	Copper alloy, 50 microinches gold plated
Insulator	Thermoset epoxy
Potting Compound	Epoxy
Hardware	300 series stainless steel

Specifications	
Current Rating	#22 5 AMPS, #20 7.5 AMPS
Test Voltage	1000 VAC RMS
Insulation Resistance	5000 megohms minimum
Operating Temperature	-65° C. to +200° C.
Ingress Protection	IP 67
Shock	300 g.
Vibration, Random	43.92 g.

280-029S right angle PC tail socket connectors with low profile mounting flange

280-029S DIMENSIONS



Shell Size	A		B		C Basic	
	in ± .015	mm ± 0.38	in ± .015	mm ± 0.38	in.	mm
1	1.213	30.81	.494	12.55	.984	24.99
2	1.541	39.14	.494	12.55	1.312	33.32
3	2.088	53.04	.494	12.55	1.852	47.04
4	2.729	69.32	.494	12.55	2.500	63.50
5	2.635	66.93	.605	15.37	2.406	61.11
6	2.729	69.32	.668	16.97	2.500	63.50

NOTES

1. Contacts are factory-installed, non-removable and are potted with epoxy.
2. HiPer-D® connectors are available with a wide variety of materials and finishes. See [About Series 28 HiPer-D® Shell Plating Options](#) for additional choices. Glenair offers the industry's widest selection of plating and material choices with no setup charge, no minimum order quantity and no schedule impact.
3. For panel cutout dimensions, refer to [Panel Cutouts and Printed Circuit Board Footprints](#).
4. For printed circuit board mounting dimensions, refer to [Panel Cutouts and Printed Circuit Board Footprints](#).
5. HiPer-D® connectors meet the requirements of MIL-DTL-24308 and are intermateable with standard M24308-type D-Subminiature connectors with corresponding contact arrangements and type.
6. Additional electrical, mechanical and environmental specifications are listed in [HiPer-D® Product Specification](#).